



# LIGHTS

 **KRAMP**  
It's that easy.

# When quality and price are equally important

**Full product range**

**Proven quality**

**Innovative lights**

**Informative packaging**

**High standards**

# CONTENT

<b>1. FRONT LIGHTS</b> LA80xxx	<b>10</b>
<b>2. WORK LIGHTS</b> LA10xxx	<b>14</b>
<b>3. REAR LIGHTS</b> LA40xxx	<b>30</b>
<b>4. ROTATING BEACON/FLASH</b> LA20xxx	<b>38</b>
<b>5. MARKER LIGHTS</b> LA30xxx	<b>41</b>
<b>6. SPECIAL LIGHTS</b>	<b>48</b>
<b>7. INTERIOR LIGHTNING</b>	<b>51</b>
<b>8. ACCESSORIES</b>	<b>52</b>

# MEANING OF THE ICONS



Watt usage



Multifunctional (watt)



Electric power connection



IP Code (Ingress Protection)



EMC tested



Mounting with magnet



Cord length



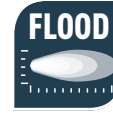
Connection with Deutsch plug



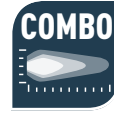
Jaeger connection



Spot Beam



Flood Beam



Flood/Spot Beam Combo



100/30% brightness



Light distribution



Flash



Flash with multiple programmes



360° rotating light



Reflex



Position light



Left position light



Right position light



Universal position light



Front position



Reversing light



Fog light



Direction indicator



License plate light



Dynamic light feature



Stoptlight



Snow melt



Heavy-duty (suitable for construction)

# MAIN/DIPPED HEADLIGHTS



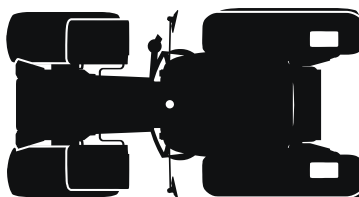
SPOT lights will give you a long and concentrated beam

e.g. for navigation in the field...



FLOOD lights will give you a wider beam spreading

Most wanted beam type. Select low lumen value and diffuse lens if you want a closer view at nearby equipment. High lumen can give annoying reflections. Combo beam offers both beam types in one lamp



# PACKAGING THAT LEADS TO THE RIGHT CHOICE

See the actual product through the window

Shock-absorbent packaging

Detailed drawings and information about the product



**24**  
WATT

**1500**  
LUMEN

  
**IP69K**

  
**EMC**

**FLOOD**  


  
**DC**  
12-24V

  
**DEUTSCH**

# TRACTORS



**1** LED front light  
LA80025 / LA80026  
Page 10



**2** LED work light  
LA80300  
Page 16



**3** LED work light  
LA10039  
Page 20



**4** LED rotating light  
LA20015  
Page 41



**5** LED work light  
LA10095  
Page 15



**6** LED rear light  
LA40015  
Page 32

# TRAILERS



**1** LED marker light  
LA30012 / LA30013  
Page 47



**2** LED marker light  
LA30104  
Page 43



**3** LED marker light  
LA30007 / LA30008  
Page 46



**4** LED rear light with triangle  
LA40006 / LA40007  
Page 30



**5** LED rear light  
LA40039 / LA40040  
Page 34

# CONSTRUCTION EQUIPMENT



**1** LED front light  
LA10209 / LA10210  
Page 10



**2** LED work light  
LA10206 / LA10208  
Page 28



**3** LED rotating light  
LA20016  
Page 41

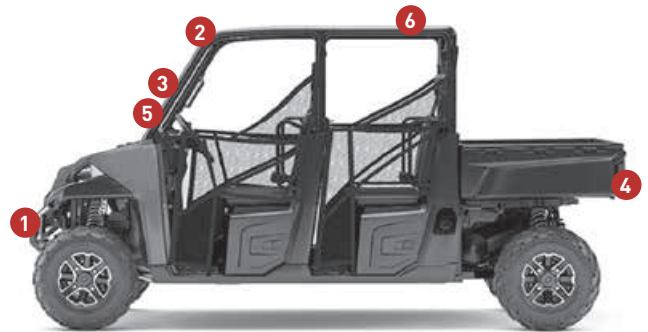


**4** LED Light bar  
LA10308  
Page 11



**5** LED rear light  
LA40019 / LA40017  
Page 32

# SMALLER MACHINES



**1** LED work light  
LA10094  
Page 16



**2** LED front light  
LA80031  
Page 13



**3** LED work light  
LA10016  
Page 17



**4** LED rear light  
LA40060  
Page 37



**5** 360° mounting hardware  
LA10043  
Page 29



**6** LED rotating light  
LA20008  
Page 42

# UNDERSTANDING LUMEN AND WATT

As we transition away from traditional incandescent bulbs to more energy-friendly options - such as LED bulbs - we also see a change in the way we measure the capacity of a light bulb. Having measured in watts, we now use lumen, but what is the difference?

**Watts** indicate the energy consumption of the light source, which explains why obtaining a specific quantity of light used to require a specific number of watts. As a result, lights have often been picked based on the notion that the energy consumption of the light source goes hand in hand with an equivalent quantity of light - which isn't always the case.

**Lumen** indicates the flood of light - meaning the amount of light that the bulb or better to say Light Emitting Diode (LED) emits. With the introduction of energy efficient bulbs we have begun to use lumen in order to indicate the brightness capacity of LED lights.

In the following chart, you will be able to see how many watts it takes to obtain a specific lumen value for a standard, halogen and LED bulb, respectively. As indicated, LED bulbs provide a flood of light of 1600 lumen with a mere 16-18 W input, while an incandescent bulb needs as much as 100 W to give off a similar flood of light. As such, the LED-technology

is more than **5.5 times** as efficient as traditional incandescent bulbs.

If the lights on your old machine are about to be replaced, it's important to uncover your specific brightness needs and choose the appropriate lumen from there. When picking out an LED light from lumen, be aware that the flood of light may fade slightly over the course of time. This can be said of all store-bought bulbs, but seeing as LED bulbs have a much longer service life than standard bulbs, it's worth considering when you are buying LED lights. Choosing a slightly higher lumen value than what you actually need can therefore be a benefit for you.

Now, it may sound as if the only thing worth looking at when picking out a light is its lumen value, but that isn't entirely true. You should consider lumen and watts in direct proportion to one another since watts, as mentioned earlier, indicate the power consumption. LED work lights have a considerably lower power consumption per lumen compared to other types of bulb, which means that you will be able to obtain the right flood of light through a lower fuel usage. With that in mind - and since LED bulbs have a much longer service life - you will also experience cost savings by choosing the right work lights.

	450 lumen	800 lumen	1100 lumen	1600 lumen	2600 lumen	5800 lumen
<b>Standard</b> expected service life: 1,000 hours*	40W	60W	75W	100W	150W	300W
<b>Halogen</b> expected service life: 3,000 hours*	29W	43W	53W	72W	150W	300W
<b>LED</b> expected service life: 25,000 hours*	6W	9-10W	13W	16-18W	24W	45W

\*expected service life is based on a daily use of 3 hours



# UNDERSTANDING IP APPROVALS

IP Codes are something you meet quite regularly, e.g. when replacing your machine's lights - but what do they actually mean? IP is short for Ingress Protection, which is a universal standard that indicates the level of protection for the ingress of solid units and liquids in electrical equipment. The IP Code is sometimes referred to as "Enclosure Rating", since it proves how well electrical devices are enclosed or encapsulated against unknown and harmful objects.

The Enclosure Rating is indicated with the letters "IP" followed by two digits.

**The first digit** indicates the object's protection against solid objects, such as dust, and unintended contact between energised parts and body parts, like fingers. If you work in a dusty environment, you must make sure that your lights are protected against solid objects at level 6, since your lights will be at a risk.

**The second digit** indicates the object's protection against harmful ingress of water. If, for example, you clean your machines with a high pressure, or if you are using highpressure cleaners close to the machines, you need to choose a light with a protection level of 9 K, which is the highest grade of protection levels against liquids.

The following summary outlines the digits' meaning in order to assist you in finding the right light for you and your specific need.



Solid objects	
0	No protection against contact and ingress of objects
1	Protects against objects > 50 mm (hands)
2	Protects against objects > 12.5 mm (fingers)
3	Protects against objects > 2.5 mm (tools/cords)
4	Protects against objects > 1 mm (small tools)
5	Protects against dust, limited ingress
6	Protection against objects, total protection against dust

Liquid	
0	No protection
1	Protects against dripping water or condensation
2	Protects against vertical water jets of 15 degrees
3	Protects against vertical water jets of 60 degrees
4	Protects against water jets from every direction
5	Protects against low pressure water jets from every direction
6	Protects against high pressure water jets or rough sea
7	Protects against temporary immersion in water tested for 30 min. at a depth of 1 metre.
8	Protects against immersion in water over an extended period of time at a depth of more than 1 metre.
9K	Protects against high pressure and high water or steam temperatures.



**Spot Beam - With navigation light**

Lumen	Power (W)	Volt (V)	Connection	Dimension (mm)	Item number
5400	60	10-30V	40 cm cable	222 x 177.8 x 79	<b>LA80025</b>
5400	60	10-30V	40 cm cable	275 x 228.6 x 93	<b>LA80026</b>



**Multifunctioning front light - Heavy-duty**

Position	Power (W)	Volt (V)	Connection	Dimension (mm)	Item number
Right	22/32	12-24V	6 pin - Deutsch	227 x 240 x 211	<b>LA10209</b>
Left	22/32	12-24V	6 pin - Deutsch	227 x 240 x 211	<b>LA10210</b>

Heavy-duty work light with integrated heat to melt frost and snow. Produced in a tough material and with a specially-hardened glass lens. Meets the highest standards of the Contractor and Forest Industry

**ACCESSORY: Connecting cable item number KADT066S2M**



**Multifunctioning front light**

Position	Power (W)	Volt (V)	Connection	Dimension (mm)	Item number
Left	38/55	12-24V	6 pin - Deutsch	172 x 214 x 110	<b>LA10213</b>
Right	38/55	12-24V	6 pin - Deutsch	172 x 214 x 110	<b>LA10214</b>

Heavy-duty work light with integrated heat to melt frost and snow. Meets the highest standards of the Contractor and Forest Industry

**ACCESSORY: Connecting cable item number KADT066S2M**





### LED Light bar - Flood

Lumen	Power (W)	LED (pcs)	Volt (V)	Connection	Shape	Dimension L-B-H(mm)	Item number
3060	36	12	12-24 V	Cable	-	193-87-78	<b>LA10302</b>

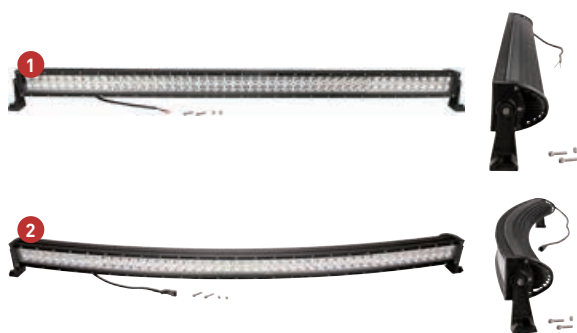
### LED Light bar - combi - Flood/Spot Beam

Lumen	Power (W)	LED (pcs)	Volt (V)	Connection	Shape	Dimension L-B-H(mm)	Item number
6120	72	24	12-24 V	Deutsch	Curved	353-87-78	<b>LA10308</b>
7290	81	54	12-24 V	Cable	-	302-61-78	<b>LA10301</b>



### LED Light bar - combi - Flood/Spot Beam

Lumen	Power (W)	LED (pcs)	Volt (V)	Connection	Shape	Dimension L-B-H(mm)	Item number
15300	180	60	12-24 V	Cable	-	812-87-78	<b>LA10303</b>
15300	180	60	12-24 V	Cable	Curved	812-87-78	<b>LA10306</b>
15300	180	60	12-24 V	Deutsch	Curved	812-87-78	<b>LA10309</b>



### LED Light bar - combi - Flood/Spot Beam

Lumen	Power (W)	LED (pcs)	Volt (V)	Connection	Shape	Dimension L-B-H(mm)	Item number
25500	300	100	12-24 V	Cable	-	1320-87-78	<b>LA10304</b>
25500	300	100	12-24 V	Cable	Curved	1320-87-78	<b>LA10307</b>
25500	300	100	12-24 V	Deutsch	Curved	1320-87-78	<b>LA10310</b>



Front lights

Work lights

Rear lights

Rotating beacon/Flash

Marker lights

Special lights

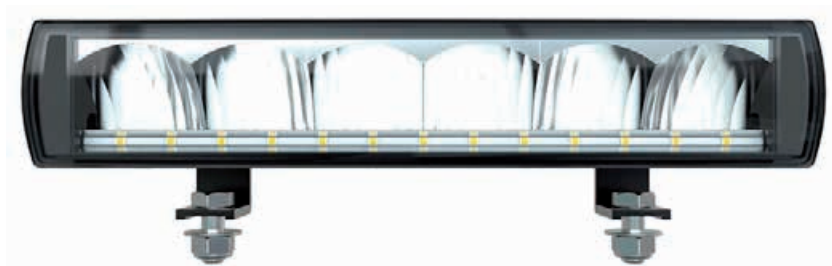
Interior lighting

Accessories

# POWERFUL LED LIGHT BAR - APPROVED FOR ROAD

Powerful LED light bar with position beam and spot beam approved for road usage when installed two by two. Die cast aluminium chassis. Vibration- and shock-resistant Adjustable mounting hardware and option of integrating two light bars into one. Lens and light glass in polycarbonate. Approvals: CE, RoHS and ECE approved, R10. Functional temperature: -40 °C to +85 °C. Waterproof DT connector enclosed.

Approved as spot beam (Note! The Road Safety and Transport Agency requires that additional spot beams are installed two by two, meaning that two are required)



**APPROVED AS SPOT BEAM FOR ROAD USAGE**



Lumen	Power (W)	Volt (V)	Connection	Dimension (mm)	Item number
3900	72	12-48 V	cable with Deutsch	306 x 90 x 57	<b>LA10320</b>
6500	120	12-48 V	cable with Deutsch	486 x 90 x 57	<b>LA10321</b>





Position	Power (W)	Volt (V)	Connection	Dimension (mm)	Item number
Kit with L/R	0,3/2,7	12-24 V	100 cm cable	120.5 x 28.5 x 32	<b>LA80030</b>

**COMES WITH MOUNTING BRACKET**



Position	Power (W)	Volt (V)	Connection	Dimension (mm)	Item number
Universal	2,7/3,2	12-24 V	100 cm cable	147 x 42 x 37	<b>LA80031</b>

**SUITABLE FOR SMALLER MACHINES SEE SUITABLE REAR LIGHTS P. 37**



Position	Power (W)	Volt (V)	Connection	Dimension (mm)	Item number
Universal	0,4/3,0	12-24V	100 cm cable	105,4x97,4x29,5	<b>LA80032</b>

**SUITABLE FOR SMALLER MACHINES SEE SUITABLE REAR LIGHTS P. 37**

# APPROVED LED REVERSING LIGHT

The light is approved to function as a reversing light according to regulation ECE R23 Ideal for trucks and trailers.  
Gives off 2160 lumen with a 30° beam spreading.

**NEW!**



R23  
Approved  
reversing  
light

## Flood Beam

Flood beam	Power (W)	Volt (V)	Connection	Dimension (mm)	Item number
2160	18	12-36V	Deutsch	122,6 x 109,4 x 58,1	<b>LA10093</b>



- Front lights
- Work lights
- Rear lights
- Rotating beacon/Flash
- Marker lights
- Special lights
- Interior lighting
- Accessories

# DIAMOND SERIES WORK LIGHTS

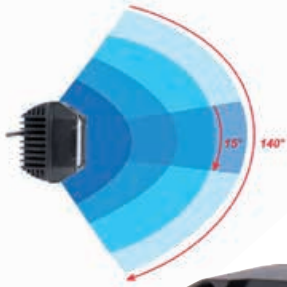
The series' special Diamond reflectors offer a unique and bright work unique diffuse light beam, ideal for tractors, SUVs, Jeeps, ATVs, UTVs and trailers. The series is shock-absorbent and IP68-approved.



## Flood Beam

	Flood beam	Power (W)	Volt (V)	Connection	Dimension (mm)	Item number
1	1136	12	9-36V	cable with Deutsch	128 x 64 x 47,5	<b>LA10095</b>
2	2272	24	9-36V	cable with Deutsch	128 x 114 x 48,5	<b>LA10096</b>
3	2272	24	9-36V	cable with Deutsch	Ø128	<b>LA10097</b>





Ideal replacement for HELLA halogen- Fendt cabin lights etc.



**Flood Beam**

Lumen	Power (W)	Volt (V)	Connection	Dimension (mm)	Item number
1500	30	10-30V	Cable	98 x 89 x 78	<b>LA10094</b>



**Combo beam**

Lumen	Power (W)	Volt (V)	Connection	Dimension (mm)	Item number
3375	30	12-24V	Cable	182.5 x 101.5	<b>LA80300</b>



Ideal to replace Hella Ultra beam halogen. Several color rims as accessory for la10098 and la10099 available to customise.



**Flood Beam**

Lumen	Power (W)	Volt (V)	Connection	Dimension (mm)	Item number
1800	15	12-24V	Cable	100x100	<b>LA10098</b>



**Flood Beam**

Lumen	Power (W)	Volt (V)	Connection	Dimension (mm)	Item number
1800	15	12-24V	Deutsch	100x100	<b>LA10099</b>





**Flood Beam**

Lumen	Power (W)	Volt (V)	Connection	Dimension (mm)	Item number
1620	18	10-30V	50 cm cable	80 x 83 x 80	<b>LA10092</b>



**Flood Beam**

Lumen	Power (W)	Volt (V)	Connection	Dimension (mm)	Item number
1500	24	10-30V	Deutsch	Diameter 117 x 74	<b>LA10007</b>
1500	24	10-30V	50 cm cable	Diameter 117 x 74	<b>LA10009</b>
2000	25	10-30V	Deutsch	Diameter 117 x 74	<b>LA10005</b>
2000	25	10-30V	50 cm cable	Diameter 117 x 74	<b>LA10011</b>
2500	29	10-30V	Deutsch	Diameter 117 x 74	<b>LA10003</b>
2500	29	10-30V	50 cm cable	Diameter 117 x 74	<b>LA10013</b>



**Spot Beam**

Lumen	Power (W)	Volt (V)	Connection	Dimension (mm)	Item number
1500	24	10-30V	Deutsch	Diameter 117 x 74	<b>LA10008</b>
1500	24	10-30V	50 cm cable	Diameter 117 x 74	<b>LA10010</b>
2000	25	10-30V	Deutsch	Diameter 117 x 74	<b>LA10006</b>
2000	25	10-30V	50 cm cable	Diameter 117 x 74	<b>LA10012</b>
2000	25	10-30V	50 cm cable	Diameter 117 x 74	<b>LA10015</b>
2000	25	10-30V	50 cm cable	Diameter 117 x 74	<b>LA10016*</b>
2500	29	10-30V	Deutsch	Diameter 117 x 74	<b>LA10004</b>
2500	29	10-30V	50 cm cable	Diameter 117 x 74	<b>LA10014</b>

\*LA10016 comes with handle



**Flood Beam**

Lumen	Power (W)	Volt (V)	Connection	Dimension (mm)	Item number	
1	1500	18	10-30V	Deutsch	120 x 104 x 81	<b>LA10017</b>
2	1500	18	10-30V	Deutsch	120 x 104 x 81	<b>LA10018</b>





**Flood Beam**

Lumen	Power (W)	Volt (V)	Connection	Dimension (mm)	Item number
1900	15	10-30V	50 cm cable	120 x 110,6 x 38	<b>LA10020</b>



**Flood Beam**

Lumen	Power (W)	Volt (V)	Connection	Dimension (mm)	Item number
1900	15	10-30V	50 cm cable	100 x 150 x 37	<b>LA10021</b>

**Spot Beam**

Lumen	Power (W)	Volt (V)	Connection	Dimension (mm)	Item number
1900	15	10-30V	50 cm cable	122 x 150 x 37	<b>LA10022</b>

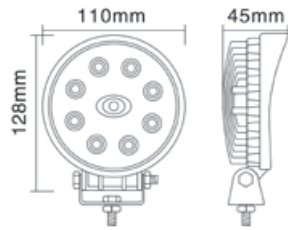


**Flood Beam**

Lumen	Power (W)	Volt (V)	Connection	Dimension (mm)	Item number
3040	25	10-30V	50 cm cable	137 x 108 x 48	<b>LA10023</b>

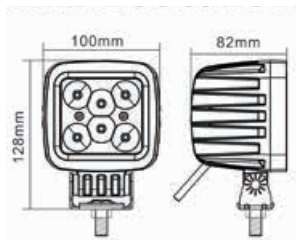
**Spot Beam**

Lumen	Power (W)	Volt (V)	Connection	Dimension (mm)	Item number
3040	25	10-30V	50 cm cable	137 x 108 x 48	<b>LA10024</b>



#### Flood Beam

Lumen	Power (W)	Volt (V)	Connection	Dimension (mm)	Item number
1920	24	10-30V	50 cm cable	128 x 110 x 45	<b>LA10025</b>



#### Flood Beam

Lumen	Power (W)	Volt (V)	Connection	Dimension (mm)	Item number
3780	42	10-30V	50 cm cable	128 x 100 x 82	<b>LA10028</b>

#### Spot Beam

Lumen	Power (W)	Volt (V)	Connection	Dimension (mm)	Item number
3780	42	10-30V	50 cm cable	128 x 100 x 82	<b>LA10027</b>



#### Flood Beam

Lumen	Power (W)	Volt (V)	Connection	Dimension (mm)	Item number
4050	48	10-30V	50 cm cable	150 x 125 x 80	<b>LA10029</b>



Front lights

Work lights

Rear lights

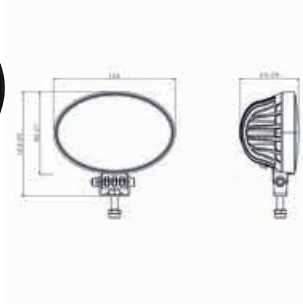
Rotating beacon/Flash

Marker lights

Special lights

Interior lighting

Accessories



**Flood Beam**

Lumen	Power (W)	Volt (V)	Connection	Dimension (mm)	Item number
3510	39	10-30V	50 cm cable	124 x 144 x 69	<b>LA10039</b>



**Flood Beam**

Lumen	Power (W)	Volt (V)	Connection	Dimension (mm)	Item number
4000	40	10-30V	50 cm cable	110,6 x 98,5 x 63,4	<b>LA10044</b>

**Spot Beam**

Lumen	Power (W)	Volt (V)	Connection	Dimension (mm)	Item number
4000	40	10-30V	50 cm cable	110,6 x 98,5 x 63,4	<b>LA10045</b>



Carbon fibre

**Flood Beam**

Lumen	Power (W)	Volt (V)	Connection	Dimension (mm)	Item number
2850	36	10-30V	50 cm cable	113 x 122,2 x 32	<b>LA10046</b>

\*Light weight. Flat design. Square model: la10051





#### Flood Beam

Lumen	Power (W)	Volt (V)	Connection	Dimension (mm)	Item number
3840	48	10-30V	50 cm cable	159 x 112,1 x 54,5	<b>LA10047</b>

Front lights

Work lights

Rear lights



#### Flood Beam

Lumen	Power (W)	Volt (V)	Connection	Dimension (mm)	Item number
3800	42	10-30V	50 cm cable	76 x 140 x 57,2	<b>LA10048</b>

Rotating beacon/Flash

Marker lights

Special lights



#### Flood Beam

Lumen	Power (W)	Volt (V)	Connection	Dimension (mm)	Item number
3960	54	10-30V	50 cm cable	55 x 180 x 38	<b>LA10049</b>

Interior lighting

Accessories



**Flood Beam**

Lumen	Power (W)	Volt (V)	Connection	Dimension (mm)	Item number
1800	27	10-30V	50 cm cable	135 x 109 x 27,5	<b>LA10051</b>

\*Light weight. Flat design. Round model: la10046



**Flood Beam**

Lumen	Power (W)	Volt (V)	Connection	Dimension (mm)	Item number
2376	27	10-30V	50 cm cable	135 x 109 x 41	<b>LA10052</b>



**Flood Beam**

Lumen	Power (W)	Volt (V)	Connection	Dimension (mm)	Item number
4000	48	10-30V	50 cm cable	146 x 123 x 81	<b>LA10055</b>

**Spot Beam**

Lumen	Power (W)	Volt (V)	Connection	Dimension (mm)	Item number
4000	48	10-30V	50 cm cable	146 x 123 x 81	<b>LA10056</b>





#### Flood Beam

Lumen	Power (W)	Volt (V)	Connection	Dimension (mm)	Item number
1400	13	9/36V	Deutsch	150 x 122 x 26	LA10401

Produced in PC plastic for a smooth design, zero corrosion and it weighs 50% less.

Front lights

Work lights

Rear lights



#### Flood Beam

Lumen	Power (W)	Volt (V)	Connection	Dimension (mm)	Item number
1300	13	9/36V	Deutsch	166 x 91 x 29	LA10402

Produced in PC plastic for a smooth design, zero corrosion and it weighs 50% less.

Rotating beacon/Flash

Marker lights

Special lights



#### Flood Beam

Lumen	Power (W)	Volt (V)	Connection	Dimension (mm)	Item number
1300	13	9/36V	Deutsch	146 x 91 x 32	LA10403

Produced in PC plastic for a smooth design, zero corrosion and it weighs 50% less.

Interior lighting

Accessories



**Flood Beam**

Lumen	Power (W)	Volt (V)	Connection	Dimension (mm)	Item number
2240	24	10-30V	50 cm cable	141,5 x 64 x 90	<b>LA10058</b>

Oval work lamps are popular on cabin roofs of tractors and other vehicles



**Flood Beam**

Lumen	Power (W)	Volt (V)	Connection	Dimension (mm)	Item number
2760	24	10-30V	50 cm cable	144 x 146 x 85	<b>LA10059</b>

**Spot Beam**

Lumen	Power (W)	Volt (V)	Connection	Dimension (mm)	Item number
2760	24	10-30V	50 cm cable	144 x 146 x 85	<b>LA10060</b>

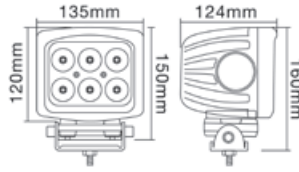


**Flood Beam**

Lumen	Power (W)	Volt (V)	Connection	Dimension (mm)	Item number
1080	18	10-30V	50 cm cable	89 x 89 x 58	<b>LA10081</b>







#### Flood Beam

Lumen	Power (W)	Volt (V)	Connection	Dimension (mm)	Item number
5400	60	10-30V	50 cm cable	160 x 135 x 124	<b>LA10082</b>
8100	90	10-30V	50 cm cable	160 x 135 x 124	<b>LA10083</b>



#### Flood Beam

Lumen	Power (W)	Volt (V)	Connection	Dimension (mm)	Item number
1920	24	10-30V	Deutsch	140 x 95 x 70	<b>LA10084</b>

Oval work lamps are popular on cabin roofs of tractors and other vehicles



#### Flood Beam

Lumen	Power (W)	Volt (V)	Connection	Dimension (mm)	Item number
1920	24	10-30V	Deutsch	130 x 78 x 53	<b>LA10085</b>





## Flood Beam

Lumen	Power (W)	Volt (V)	Connection	Dimension (mm)	Item number
1600	20	10-30V	Deutsch	150 x 40 x 65	<b>LA10087</b>

Often used on platforms or fixed structures.



## Flood Beam

Lumen	Power (W)	Volt (V)	Connection	Dimension (mm)	Item number
1920	24	10-30V	Deutsch	105 x 85 x 95	<b>LA10088</b>

## Flood Beam

Lumen	Power (W)	Volt (V)	Connection	Dimension (mm)	Item number
2500	25	10-30V	Deutsch	105 x 85 x 95	<b>LA10089</b>



## Flood Beam

Lumen	Power (W)	Volt (V)	Connection	Dimension (mm)	Item number
2160	27	10-30V	Deutsch	108 x 97 x 80	<b>LA10090</b>



#### Flood Beam

Lumen	Power (W)	Volt (V)	Connection	Dimension (mm)	Item number
3200	40	10-30V	Deutsch	98 x 101 x 74	LA10091



Front lights

Work lights

Rear lights

Rotating beacon/Flash

Marker lights

Special lights

Interior lighting

Accessories



With the Heavy-duty icon, it's easy to pick out lights that are made for tough conditions.



**Flood Beam**

Lumen	Power (W)	Volt (V)	Shock resistance (G)	Connection	Dimension (mm)	Item number
2700	36	12-24V	-	Deutsch	138 x 128 x 120	<b>LA10207</b>

Heavy-duty work light with integrated heat to melt frost and snow. Produced in a tough material and with a specially-hardened glass lens. Meets the highest standards of the Contractor and Forest Industry



**Flood Beam**

Lumen	Power (W)	Volt (V)	Shock resistance (G)	Connection	Dimension (mm)	Item number
1200	16	12-24V	60	Deutsch	Ø91 x 77	<b>LA10205</b>

Produced in a tough material and with a specially-hardened glass lens. Meets the highest standards of the Contractor and Forest Industry



**Flood Beam**

Lumen	Power (W)	Volt (V)	Shock resistance (G)	Connection	Dimension (mm)	Item number
3000	36	12-100V	60	Deutsch	98 x 102 x 80	<b>LA10206</b>
5000	57	12-100V	80	Deutsch	110 x 140 x 159	<b>LA10208</b>

Heavy-duty work light with integrated heat that melts frost and snow. Produced in a tough material and with a specially-hardened glass lens. Meets the highest standards of the Contractor and Forest Industry



# FAST AND EASY INSTALLATION OF KRAMP WORK LIGHTS

Kramp mountings can be installed on pipes with a thickness of 15-28 mm, and can be used for lights, screens, GPS etc. The mountings are available for permanent installation or rotation of 360°.



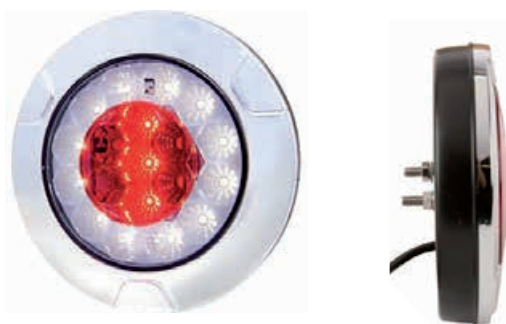
1



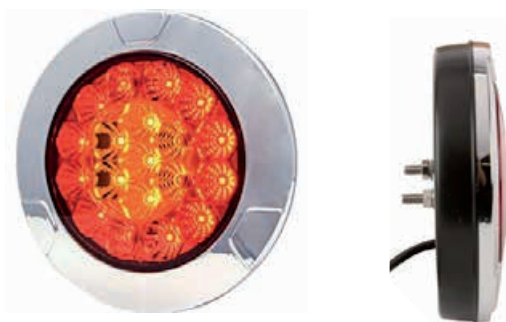
2



Item name	Description	Item number
1 Mounting hardware - permanent installation	The mountings can be installed on pipes with a thickness of 15-28 mm and can be used for lights, screens, GPS etc.	LA10042
2 Mounting hardware - 360° rotation		LA10043



Volt (V)	Position	Connection	Dimension (mm)	Hole pitch	Item nr
12V-24V	Universal	cable 200 cm	Diameter 152	45 mm	<b>LA40001</b>
12V-24V	Universal	5-pin (TYCO)	Diameter 152	45 mm	<b>LA40002</b>



Volt (V)	Position	Connection	Dimension (mm)	Hole pitch	Item nr
12V-24V	Universal	cable 200 cm	Diameter 152	45 mm	<b>LA40003</b>
12V-24V	Universal	5-pin (TYCO)	Diameter 152	45 mm	<b>LA40004</b>



#### Rear lights with functions ; Position light, Stop, Indicator, Fog and Reverse. IP68.

Volt (V)	Position	Connection	Dimension (mm)	Hole pitch	Item nr
12V-24V	Left	cable 200 cm	242x134x36.5	150 mm	<b>LA40007</b>
12V-24V	Left	7-pin	242x134x36.5	150 mm	<b>LA40008</b>
12V-24V	Right	cable 200 cm	242x134x36.5	150 mm	<b>LA40005</b>
12V-24V	Right	7-pin	242x134x36.5	150 mm	<b>LA40006</b>

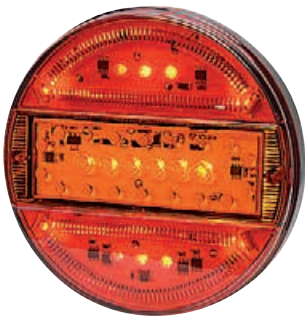


#### Rear lights with functions ; Position light, Stop, Indicator, Fog and License plate light (side). IP68.

Volt (V)	Position	Connection	Dimension (mm)	Hole pitch	Item nr
12V-24V	Left	cable 200 cm	242x134x36.5	150 mm	<b>LA40917</b>
12V-24V	Right	cable 200 cm	242x134x36.5	150 mm	<b>LA40920</b>



Volt (V)	Position	Connection	Dimension (mm)	Hole pitch	Item nr
12V-24V	Universal	cable 17 cm	107.4x46.7.4x23	90 mm	<b>LA40009</b>
12V-24V	Universal	5-pin (TYCO)	107.4x46.7.4x23	90 mm	<b>LA40010</b>



Volt (V)	Position	Connection	Dimension (mm)	Hole pitch	Item nr
12V-24V	Universal	cable 200 cm	Diameter 140 mm x 25	45 mm	<b>LA40011</b>
12V-24V	Universal	5-pin (TYCO)	Diameter 140 mm x 25	45 mm	<b>LA40012</b>



Volt (V)	Position	Connection	Dimension (mm)	Hole pitch	Item nr
12V-24V	Universal	cable 200 cm	Diameter 140 mm x 25	45 mm	<b>LA40013</b>
12V-24V	Universal	7-pin	Diameter 140 mm x 25	45 mm	<b>LA40014</b>





Volt (V)	Position	Connection	Dimension (mm)	Hole pitch	Item nr
12V-24V	Universal	cable 200 cm	200x70x60	90 mm	<b>LA40015</b>
12V-24V	Universal	5-pin (TYCO)	200x70x60	90 mm	<b>LA40016</b>



Volt (V)	Position	Connection	Dimension (mm)	Hole pitch	Item nr
12V-24V	Left	cable 200 cm	287.5x100.5x65	90 mm	<b>LA40019</b>
12V-24V	Left	5-pin (TYCO)	287.5x100.5x65	90 mm	<b>LA40020</b>
12V-24V	Right	cable 200 cm	287.5x100.5x65	90 mm	<b>LA40017</b>
12V-24V	Right	5-pin (TYCO)	287.5x100.5x65	90 mm	<b>LA40018</b>



Volt (V)	Position	Connection	Dimension (mm)	Hole pitch	Item nr
12V-24V	Universal	cable 200 cm	121x101x56	45 mm	<b>LA40021</b>
12V-24V	Universal	5-pin (TYCO)	121x101x56	45 mm	<b>LA40022</b>







Features: **Position, stop, indicator, fog, number plate**

Volt (V)	Position	Connection	Dimension (mm)	Hole pitch	Item nr
12V-24V	Left	cable 195 cm	232x142x59	150 mm	<b>LA40025</b>
12V-24V	Left	5-pin (TYCO)	232x142x59	150 mm	<b>LA40026</b>

Features: **Position, stop, indicator, reverse, number plate**

Volt (V)	Position	Connection	Dimension (mm)	Hole pitch	Item nr
12V-24V	Right	cable 195 cm	232x142x59	150 mm	<b>LA40023</b>
12V-24V	Right	5-pin (TYCO)	232x142x59	150 mm	<b>LA40024</b>



Volt (V)	Position	Connection	Dimension (mm)	Hole pitch	Item nr
12V-24V	Universal	cable 190 cm	200.5x85x40.5	100 mm	<b>LA40029</b>
12V-24V	Universal	5-pin (TYCO)	200.5x85x40.5	100 mm	<b>LA40030</b>



Features: **Position, stop, indicator, fog, reflex**

Volt (V)	Position	Connection	Dimension (mm)	Hole pitch	Item nr
12V-24V	Universal	cable 190 cm	200.5x85x40.5	100 mm	<b>LA40033</b>
12V-24V	Universal	5-pin (TYCO)	200.5x85x40.5	100 mm	<b>LA40034</b>



Features: **Position, stop, indicator, fog, number plate**

Volt (V)	Position	Connection	Dimension (mm)	Hole pitch	Item nr
12V-24V	Universal	cable 190 cm	200.5x85x40.5	100 mm	<b>LA40035</b>
12V-24V	Universal	5-pin (TYCO)	200.5x85x40.5	100 mm	<b>LA40036</b>



Features: **Position, stop, indicator, reverse**

Volt (V)	Position	Connection	Dimension (mm)	Hole pitch	Item nr
12V-24V	Universal	cable 190 cm	200.5x85x40.5	100 mm	<b>LA40031</b>
12V-24V	Universal	5-pin (TYCO)	200.5x85x40.5	100 mm	<b>LA40032</b>

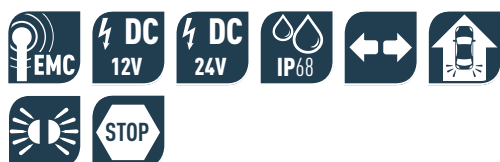


Volt (V)	Position	Connection	Dimension (mm)	Hole pitch	Item nr
12V	Universal	cable 200 cm	Diameter 142 x 50	45 mm	LA40039
12V	Universal	5-pin (TYCO)	Diameter 142 x 50	45 mm	LA40040
24V	Universal	cable 200 cm	Diameter 142 x 50	45 mm	LA40037
24V	Universal	5-pin (TYCO)	Diameter 142 x 50	45 mm	LA40038

With integrated resistance to prevent indicator control of vehicle does not notice active LED. For other rear lamp we recommend to use E071012V or E071024V.



Volt (V)	Position	Connection	Dimension (mm)	Hole pitch	Item nr
12V-24V	Universal	cable 200 cm	Diameter 142 x 50	45 mm	LA40041
12V-24V	Universal	5-pin (TYCO)	Diameter 142 x 50	45 mm	LA40042



Volt (V)	Position	Connection	Dimension (mm)	Hole pitch	Item nr
12V	Universal	cable 200 cm	Diameter 142 x 78	45 mm	LA40045
12V	Universal	5-pin (TYCO)	Diameter 142 x 78	45 mm	LA40046
24V	Universal	cable 200 cm	Diameter 142 x 78	45 mm	LA40043
24V	Universal	5-pin (TYCO)	Diameter 142 x 78	45 mm	LA40044



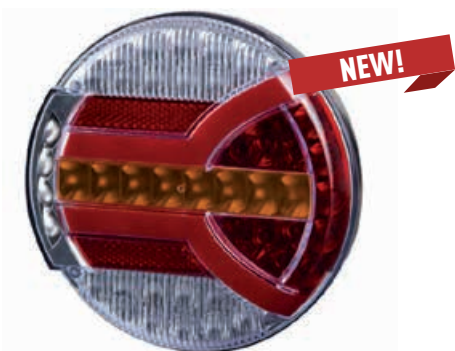
Volt (V)	Position	Connection	Dimension (mm)	Hole pitch	Item nr
12V-24V	Universal	cable 38 cm	Diameter 115 x 36.5	45 mm	<b>LA40047</b>
12V-24V	Universal	5-pin (TYCO)	Diameter 115 x 36.5	45 mm	<b>LA40048</b>



Front lights

Work lights

Rear lights



Volt (V)	Position	Connection	Dimension (mm)	Hole pitch	Item nr
12V-24V	Universal	cable 150 cm	Diameter 140 x 38	45 mm	<b>LA40065</b>



Rotating beacon/Flash

Marker lights

Special lights



Volt (V)	Position	Connection	Dimension (mm)	Hole pitch	Item nr
12V-24V	Left	cable 150 cm	304x132x48	152 mm	<b>LA40062</b>
12V-24V	Right	cable 150 cm	304x132x48	152 mm	<b>LA40063</b>



Interior lighting

Accessories



Features: **Position, stop, blink, fog, number plate, reflex**

Volt (V)	Position	Connection	Dimension (mm)	Hole pitch	Item nr
12V-24V	Left	cable 185 cm	163x144x60.3	63,5 mm	<b>LA40027</b>
12V-24V	Left	5-pin (TYCO)	163x144x60.3	63,5 mm	<b>LA40028</b>

Features: **Position, stop, blink, reverse, number plate, reflex**

Volt (V)	Position	Connection	Dimension (mm)	Hole pitch	Item nr
12V-24V	Right	cable 185 cm	163x144x60.3	63,5 mm	<b>LA40049</b>
12V-24V	Right	5-pin (TYCO)	163x144x60.3	63,5 mm	<b>LA40050</b>



Features: **Position, stop, blink, fog, reverse, number plate,**

Volt (V)	Position	Connection	Dimension (mm)	Hole pitch	Item nr
12V-24V	Universal	cable 200 cm	236x104x61,5	150 mm	<b>LA40051</b>
12V-24V	Universal	5-pin (TYCO)	236x104x61,5	150 mm	<b>LA40052</b>

Features: **Position, stop, blink, number plate**

Volt (V)	Position	Connection	Dimension (mm)	Hole pitch	Item nr
12V-24V	Universal	cable 200 cm	236x104x61,5	150 mm	<b>LA40053</b>



Features: **Position, nr.plade,**

Volt (V)	Position	Connection	Dimension (mm)	Hole pitch	Item nr	
1	12V-24V	Universal	cable 17 cm	101x58,5x59,6	70 mm	<b>LA41001</b>

Features: **Nr. plade**

Volt (V)	Position	Connection	Dimension (mm)	Hole pitch	Item nr	
2	12V-24V	Universal	cable 17 cm	101x58,5x59,6	70 mm	<b>LA41002</b>





Volt (V)	Position	Connection	Dimension (mm)	Hole pitch	Item nr
12V-24V	Universal	100 cm cable	147x42x37	132 mm	<b>LA40060</b>



Volt (V)	Position	Connection	Dimension (mm)	Hole pitch	Item nr
12V-24V	Universal	100 cm cable	257x27x20	230 mm	<b>LA40067</b>



Volt (V)	Position	Connection	Dimension (mm)	Hole pitch	Item nr
12V-24V	Universal	100 cm cable	105,4x97,4x29,5	45 mm	<b>LA40061</b>



Front lights

Work lights

Rear lights

Rotating beacon / Flash

Marker lights

Special lights

Interior lighting

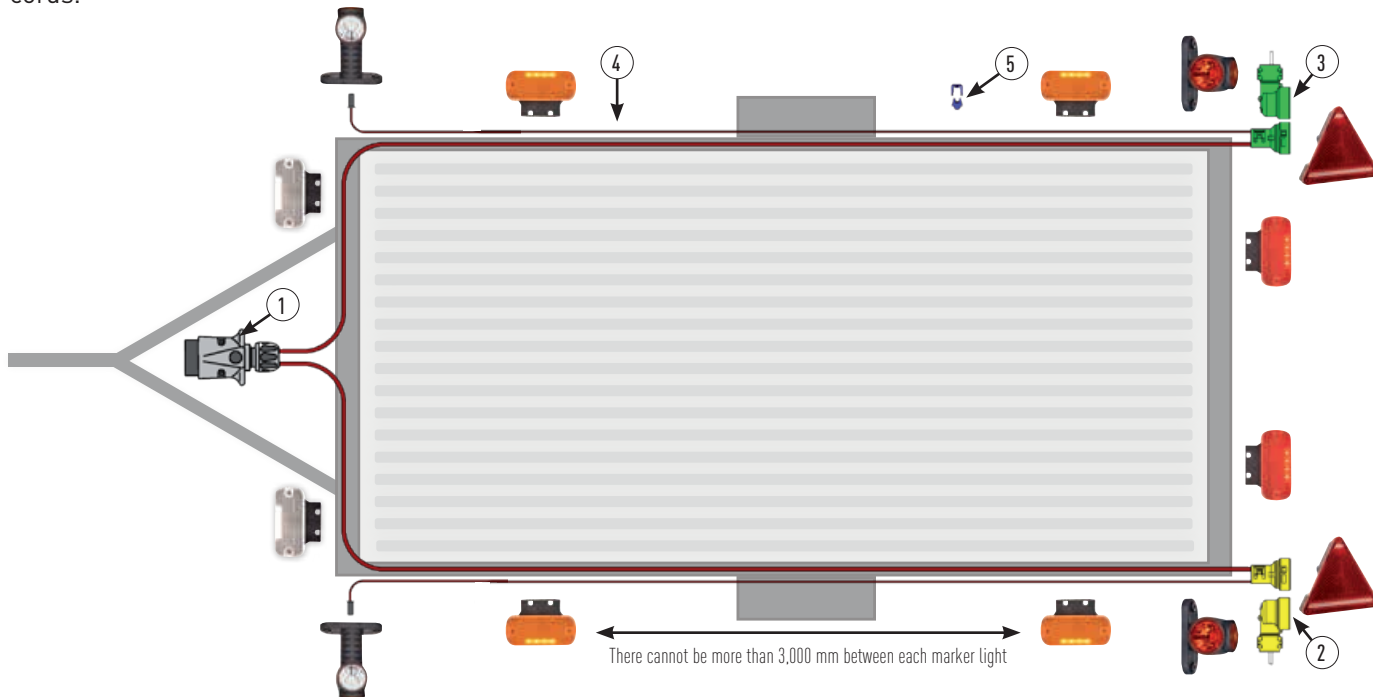
Accessories

# Are you planning to update your old trailer, or looking to build a new one? Then we have the solution for you, ready for use!

## Full cord sets with cord and 5 pin connector, ready for use.

All sets are sold with 7-pole or 13-pole plug. Choice of various cord set lengths delivered with 5 pin connector at the ends (2 pcs.) Ready for use with our 5 pin Kramp lights

Cord set with Jaeger cord ready to attach our KRAMP marker lights LA301\*\* with Jaeger connector to the Jaeger cords.



## Complete supply grid\*

Description	Item nr
5 metres - 7-pole complete supply grid with Jaeger outlet	AH10765
7.5 metres - 7-pole complete supply grid with Jaeger outlet	AH10766
9.5 metres - 7-pole complete supply grid with Jaeger outlet	AH10767
6 metres - 7-pole complete supply grid incl. Jaeger cord	AH10769
7 metres - 7-pole complete supply grid - Plug and Play	KR581022057P001
8 metres - 13-pole complete supply grid incl. Jaeger cord	AH10770

## Accessories for supply grid

No.	Description	Item nr
1	7-pole PVC-plug	LA403011
	7-pole PVC socket	LA403001
	13-pole PVC plug	LA403018
	13-pole Jaeger plug	221036JAE
2	5-pole bayonet base - left	LA62295
3	5-pole bayonet base - right	LA62296
4	Jaeger PVC cord 2 x 0.75 mm <sup>2</sup>	1430008010
5	Cable fastener for 2 x 0.75 mm <sup>2</sup>	155976017

\*NOTE! All complete supply grids come with 5 pin connectors

## NOTE! VERY IMPORTANT

Certain vehicles with CANBUS or light surveillance cannot take on trailers with LED lighting. These vehicles will indicate a lighting error when LED lights are used on the trailer. However, if you use our KRAMP rear lights LA40038 for LA40042, then you won't have to install boxes of resistance or resistance adaptors! They come with built-in resistance (heat plate) in the rear light, and heat plates keep the rear lights free from dew and frost when the beacon is activated.

# HANDY LED LIGHT PEN FOR VARIOUS TASKS

Bring this smart and handy LED light pen with you on the go. Because of its small size, the LED light pen can illuminate even the most hard-to-reach places, and despite of its small size, it gives a very strong light. The LED light pen has a pocket clip with a built-in magnet, so you can attach it to any magnetic surface.



Nr	Power (W)	Dimension (mm)	Connection	Item nr
1 pcs.	3 x AAA	150/15 mm	LED light pen with pocket clip and built-in magnet	<b>LA10KR</b>
12 pcs.				<b>LA10KRDISP</b>

Front lights

Work lights

Rear lights

Rotating beacon/Flash

Marker lights

Special lights

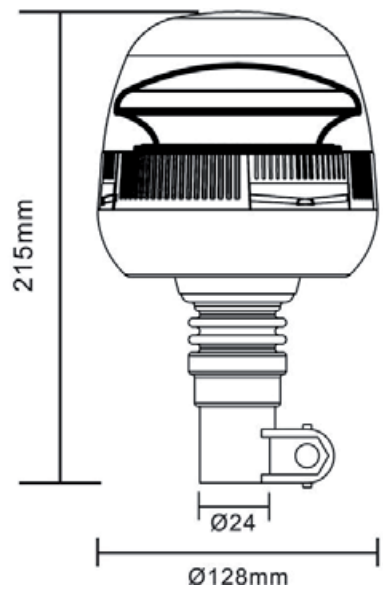
Interior lighting

Accessories

# ROTATING LED BEACON FOR POLE MOUNTING

Powerful flashing LED beacon with high visibility solid body with flexible socket. The beacon is without any rotary parts which reduces wear and tear.

**NEW!**



**You Tube** WATCH THE VIDEO HERE

Mounting	Power (W)	Features	Dimension (mm)	Item number
Pole	36	Flash	215x128	<b>LA20020</b>

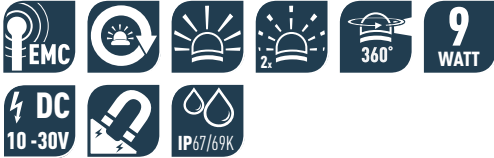






- Front lights
- Work lights
- Rear lights
- Rotating beacon/Flash
- Marker lights
- Special lights
- Interior lighting
- Accessories





Mounting	Power (W)	Features	FPM	Connection	Dimension (mm)	Item number
Pole	9 W	2 x flash + Rotor flash	125	flex pole	Diameter 130 x 160.5	LA20001
Magnet	9 W	2 x flash + Rotor flash	125	auxiliary car power outlet	Diameter 142.5 x 109.2	LA20002

EASILY SWITCH BETWEEN FUNCTIONS BY USING A MAGNET OR TOUCHING A BUTTON



WATCH THE VIDEO HERE



Mounting	Power (W)	Features	FPM	Connection	Dimension (mm)	Item number
Fixed	9 W	Rotor	125	cable	Diameter 142.5 x 109.2	LA20016
Pole	9 W	Rotor	125	flex pole	Diameter 130 x 160.5	LA20015
Magnet	9 W	Rotor	125	auxiliary car power outlet	Diameter 142.5 x 109.2	LA20017



Mounting	Power (W)	Features	FPM	Connection	Dimension (mm)	Item number
Fixed (3 bolt)	27 W	Flash	120	cable	Diameter 121 x 147	LA20003
Fixed (1 bolt)	27 W	Flash	120	cable	Diameter 112 x 145	LA20004
Pole	27 W	Flash	120	flex pole	Diameter 112 x 168	LA20005
Magnet	27 W	Flash	120	auxiliary car power outlet	Diameter 148 x 141	LA20006

Mounting	Power (W)	Features	FPM	Connection	Dimension (mm)	Item number
Fixed	30 x 3 W	26 x flash	-	cable	250 x 173 x 36	<b>LA20018</b>
Magnet	30 x 3W	26 x flash	-	auxiliary car power outlet	250 x 173 x 47	<b>LA20007</b>
Fixed	42 x 3W	26 x flash	-	cable	365 x 173 x 36	<b>LA20019</b>
Magnet	42 x 3 W	26 x flash	-	auxiliary car power outlet	365 x 173 x 47	<b>LA20008</b>



**Very popular amongst anyone active around road works. Solid and compact design.**

Mounting	Power (W)	Features	FPM	Connection	Dimension (mm)	Item number
Fixed	3 x 3 W	14 x flash	-	cable	106 x 34 x 30	<b>LA20009</b>
Fixed	4 x 3 W	14 x flash	-	cable	132 x 34 x 30	<b>LA20011</b>
Fixed	4 x 3 W	14 x flash	-	cable	96 x 28 x 19	<b>LA20013</b>
Fixed	6 x 3 W	14 x flash	-	cable	106 x 66 x 30	<b>LA20010</b>
Fixed	6 x 3 W	14 x flash	-	cable	128 x 28 x 19	<b>LA20014</b>
Fixed	8 x 3 W	14 x flash	-	cable	132 x 66 x 30	<b>LA20012</b>



**Synchronise / alternate with 2nd item possible.**

Mounting	Power (W)	Features	FPM	Connection	Dimension (mm)	Item number
Fixed	3 x 5 W	26 x flash	-	cable	82x31x6.6	<b>LA20030</b>
Fixed	6 x 5 W	26 x flash	-	cable	131x31x6.6	<b>LA20031</b>



**ULTRA SLIM FLASH**



**Sync. up to 15 units  
R65, ECE 10, IP67  
-30 °C to +60 °C**



Volt (V)	Feature	Mounting	Connection	Dimension (mm)	Hole pitch	Item number
12V-24V	Front	Fixings	24 cm cable	105.4x45	85 mm	<b>LA30100</b>
12V-24V	Front	Fixings	Jaeger	105.4x45	85 mm	<b>LA30101</b>
12V-24V	Rear	Fixings	24 cm cable	105.4x45	85 mm	<b>LA30102</b>
12V-24V	Rear	Fixings	Jaeger	105.4x45	85 mm	<b>LA30103</b>
12V-24V	Side - L/R	Fixings	24 cm cable	105.4x45	85 mm	<b>LA30104</b>
12V-24V	Side - L/R	Fixings	Jaeger	105.4x45	85 mm	<b>LA30105</b>



Front lights

Work lights

Rear lights

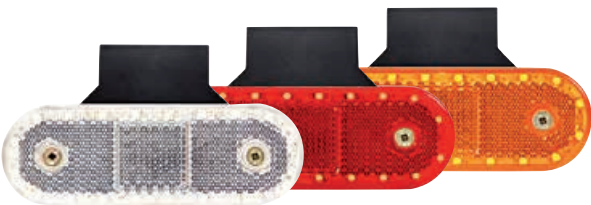


Volt (V)	Feature	Mounting	Connection	Dimension (mm)	Hole pitch	Item number
12V-24V	Front	Fixings	24 cm cable	105.4x45	85 mm	<b>LA30106</b>
12V-24V	Front	Fixings	Jaeger	105.4x45	85 mm	<b>LA30107</b>
12V-24V	Rear	Fixings	24 cm cable	105.4x45	85 mm	<b>LA30108</b>
12V-24V	Rear	-	Jaeger	105.4x45	85 mm	<b>LA30109</b>
12V-24V	Side - L/R	Fixings	24 cm cable	105.4x45	85 mm	<b>LA30110</b>
12V-24V	Side - L/R	Fixings	Jaeger	105.4x45	85 mm	<b>LA30111</b>



Rotating beacon/Flash

Marker lights



Volt (V)	Feature	Mounting	Connection	Dimension (mm)	Hole pitch	Item number
12V-24V	Front	Fixings	22 cm cable	114x40	75 mm	<b>LA30112</b>
12V-24V	Front	-	22 cm cable	114x40	75 mm	<b>LA30113</b>
12V-24V	Front	Fixings	Jaeger	114x40	75 mm	<b>LA30114</b>
12V-24V	Rear	Fixings	22 cm cable	114x40	75 mm	<b>LA30115</b>
12V-24V	Rear	-	22 cm cable	114x40	75 mm	<b>LA30116</b>
12V-24V	Rear	Fixings	Jaeger	114x40	75 mm	<b>LA30117</b>
12V-24V	Side - L/R	Fixings	22 cm cable	114x40	75 mm	<b>LA30118</b>
12V-24V	Side - L/R	-	22 cm cable	114x40	75 mm	<b>LA30119</b>
12V-24V	Side - L/R	Fixings	Jaeger	114x40	75 mm	<b>LA30120</b>



Special lights

Interior lighting

Accessories

**Yellow**

Volt (V)	Feature	Mounting	Connection	Dimension (mm)	Hole pitch	Item number
12V-24V	Side - L/R	Fixings	22 cm cable	65x65	40 mm	<b>LA30121</b>
12V-24V	Side - L/R	-	22 cm cable	65x65	40 mm	<b>LA30122</b>
12V-24V	Side - L/R	Fixings	Jaeger	65x65	40 mm	<b>LA30123</b>

**White**

Volt (V)	Feature	Mounting	Connection	Dimension (mm)	Hole pitch	Item number
12V-24V	Side - L/R	Fixings	Jaeger	65x65	40 mm	<b>LA30138</b>
12V-24V	Side - L/R	-	22 cm cable	65x65	40 mm	<b>LA30137</b>

**Red**

Volt (V)	Feature	Mounting	Connection	Dimension (mm)	Hole pitch	Item number
12V-24V	Side - L/R	Fixings	Jaeger	65x65	40 mm	<b>LA30140</b>
12V-24V	Side - L/R	-	22 cm cable	65x65	40 mm	<b>LA30139</b>



Volt (V)	Feature	Mounting	Connection	Dimension (mm)	Hole pitch	Item number
12V-24V	Side - L/R	-	22 cm cable	113.5x40	75 mm	<b>LA30124</b>
12V-24V	Side - L/R	Fixings	22 cm cable	113.5x40	75 mm	<b>LA30125</b>
12V-24V	Side - L/R	Fixings	Jaeger	113.5x40	75 mm	<b>LA30126</b>



Volt (V)	Feature	Mounting	Connection	Dimension (mm)	Hole pitch	Item number
12V-24V	Side - L/R	Fixings	22 cm cable	111x50.5	90 mm	<b>LA30127</b>
12V-24V	Side - L/R	-	22 cm cable	111x50.5	90 mm	<b>LA30128</b>
12V-24V	Side - L/R	Fixings	Jaeger	111x50.5	90 mm	<b>LA30129</b>



#### Yellow

Volt (V)	Feature	Mounting	Connection	Dimension (mm)	Hole pitch	Item number
12V-24V	Side - L/R	-	22 cm cable	130x32	116 mm	<b>LA30130</b>
12V-24V	Side - L/R	Fixings	22 cm cable	130x32	116 mm	<b>LA30131</b>
12V-24V	Side - L/R	Fixings	Jaeger	130x32	116 mm	<b>LA30132</b>

#### White

Volt (V)	Feature	Mounting	Connection	Dimension (mm)	Hole pitch	Item number
12V-24V	Side - L/R	-	22 cm cable	130x32	116 mm	<b>LA30142</b>
12V-24V	Side - L/R	Fixings	22 cm cable	130x32	116 mm	<b>LA30143</b>

#### Red

Volt (V)	Feature	Mounting	Connection	Dimension (mm)	Hole pitch	Item number
12V-24V	Side - L/R	-	22 cm cable	130x32	116 mm	<b>LA30144</b>
12V-24V	Side - L/R	Fixings	22 cm cable	130x32	116 mm	<b>LA30145</b>



Volt (V)	Feature	Mounting	Connection	Dimension (mm)	Hole pitch	Item number
12V-24V	Side - L/R	-	21 cm cable	98x31.5	75 mm	<b>LA30133</b>
12V-24V	Side - L/R	Fixings	21 cm cable	98x31.5	75 mm	<b>LA30134</b>
12V-24V	Side - L/R	Fixings	Jaeger	98x31.5	75 mm	<b>LA30135</b>



Volt (V)	Feature	Mounting	Connection	Dimension (mm)	Hole pitch	Item number
12V-24V	Side - L/R	Fixings	22 cm cable	116x46x22	75 mm	<b>LA30141</b>

Front lights

Work lights

Rear lights

Rotating beacon/Flash

Marker lights

Special lights

Interior lighting

Accessories



Volt (V)	Feature	Mounting	Connection	Dimension (mm)	Hole pitch	Item number
12V-24V	Front/Rear - R	-	29 cm cable	108x134,5x49	75 mm	<b>LA30001</b>
12V-24V	Front/Rear - L	-	29 cm cable	108x134,5x49	75 mm	<b>LA30002</b>



Volt (V)	Feature	Mounting	Connection	Dimension (mm)	Hole pitch	Item number
12V-24V	Front/Rear - R	-	18 cm cable	180x157,6x49,5	75 mm	<b>LA30003</b>
12V-24V	Front/Rear - L	-	18 cm cable	180x157,6x49,5	75 mm	<b>LA30004</b>



Volt (V)	Feature	Mounting	Connection	Dimension (mm)	Hole pitch	Item number
12V-24V	Front/Rear - R	-	21 cm cable	190x164x48,6	75 mm	<b>LA30005</b>
12V-24V	Front/Rear - L	-	21 cm cable	190x164x48,6	75 mm	<b>LA30006</b>





Volt (V)	Feature	Mounting	Connection	Dimension (mm)	Hole pitch	Item number
12V-24V	Front/Rear - R	-	23 cm cable	125,5x148,5x49,5	75 mm	<b>LA30007</b>
12V-24V	Front/Rear - L	-	23 cm cable	125,5x148,5x49,5	75 mm	<b>LA30008</b>

Front lights

Work lights

Rear lights



Volt (V)	Feature	Mounting	Connection	Dimension (mm)	Hole pitch	Item number
12V-24V	Front/side/Rear - L	-	28 cm cable	135x114x37	79 mm	<b>LA30010</b>
12V-24V	Front/side/Rear - R	-	28 cm cable	135x114x37	79 mm	<b>LA30011</b>

Rotating beacon/Flash

Marker lights



Volt (V)	Feature	Mounting	Connection	Dimension (mm)	Hole pitch	Item number
12V-24V	Front/side/Rear - L	-	21 cm cable	187x165x37	79 mm	<b>LA30012</b>
12V-24V	Front/side/Rear - R	-	21 cm cable	187x165x37	79 mm	<b>LA30013</b>

Special lights

Interior lighting

Accessories



Volt (V)	Feature	Mounting	Connection	Dimension (mm)	Hole pitch	Item number
12V-24V	Front/Rear - L/R	-	32 cm cable	95x89x49,5	75 mm	<b>LA30009</b>



Volt (V)	Feature	Mounting	Connection	Dimension (mm)	Hole pitch	Item number
12V-24V	Front/side/Rear - L/R	-	50 cm cable	100x64x55	78 mm	<b>LA30014</b>



Volt (V)	Feature	Mounting	Connection	Dimension (mm)	Hole pitch	Item number
12V-24V	Front/side/Rear - L/R	-	50 cm cable	117,5x100x55	78 mm	<b>LA30015</b>





Volt (V)	Feature	Mounting	Connection	Dimension (mm)	Hole pitch	Item number
12V-24V	Front/side/Rear - L	-	50 cm cable	125x100x55	78 mm	<b>LA30016</b>
12V-24V	Front/side/Rear - R	-	50 cm cable	125x100x55	78 mm	<b>LA30017</b>



Volt (V)	Feature	Mounting	Connection	Dimension (mm)	Hole pitch	Item number
12V-24V	Front/side/Rear - L	-	50 cm cable	175x125x55	78 mm	<b>LA30018</b>
12V-24V	Front/side/Rear - R	-	50 cm cable	175x125x55	78 mm	<b>LA30019</b>



Front lights

Work lights

Rear lights

Rotating beacon / Flash

Marker lights

Special lights

Interior lighting

Accessories

Front lights



Volt (V)	Feature	Mounting	Connection	Dimension (mm)	Hole pitch	Item number
12V-24V	White	-	50 cm cable	133,8x26,8x14,4	116 mm	<b>LA103160</b>
12V-24V	Yellow	-	50 cm cable	133,8x26,8x14,4	116 mm	<b>LA103161</b>
12V-24V	Red	-	50 cm cable	133,8x26,8x14,4	116 mm	<b>LA103162</b>

Work lights



Rear lights

Rotating beacon/Flash



Volt (V)	Feature	Mounting	Connection	Dimension (mm)	Hole pitch	Item number
12V-24V	White/Red	-	25 cm cable	110x30x28	80 mm	<b>LA103165</b>
12V-24V	White/Red	Fixings	25 cm cable	138,7x48,4x37,6	80 mm	<b>LA103166</b>
12V-24V	White/Yellow/Red	-	25 cm cable	110x30x28	80 mm	<b>LA103167</b>
12V-24V	White/Yellow/Red	Fixings	25 cm cable	138,7x48,4x37,6	80 mm	<b>LA103168</b>



Marker lights

Special lights

Interior lighting



Volt (V)	Feature	Mounting	Connection	Dimension (mm)	Hole pitch	Item number
12V-24V	White	-	25 cm cable	100x46x53	53 mm	<b>LA30151</b>
12V-24V	Yellow	-	25 cm cable	100x46x53	53 mm	<b>LA30152</b>
12V-24V	Red	-	25 cm cable	100x46x53	53 mm	<b>LA30153</b>



Accessories

# Get noticed on the road

Handy case with 6 magnet lights Rechargeable warning light. Magnet light with 16 LED. 9 blinking patterns. IP65. Does not break if run over by car. Charger for 12/24 V & 220 V. Charging time: 2-3 hours. Battery life varies from 8 to 70 hours depending on the selected blinking pattern and full charge.



Nr.	Mounting	Visibility	Features	Battery capacity	Dimension (mm)	Item number
6 pcs	Magnet	Up to 1000 m.	9 x Yellow flash	Max. 70 hours	Diameter 105 x 35	<b>LA80002</b>



Front lights

Work lights

Rear lights

Rotating beacon/Flash

Marker lights

Special lights

Interior lighting

Accessories

# LED SPRAY LIGHT KIT FROM KRAMP ENSURES EFFICIENT CROP SPRAYING

If you install Kramp's blue LED spray light kit on the spraying boom and point them directly through the spray mist, the blue light will illuminate the nozzles without blinding the driver. The spray light kit allows you to supervise and adjust every single nozzle. A must for obtaining efficient crop spraying.



2 PCS. SPRAY LIGHT KIT WITH CARBON BODY

Forlygter

Arbejdslygter

Baglygter

Rotorblink / Flash

Markeringslygter

Speciallygter

Interiørbelysning

Tilbehør

Forlygter

Arbejdslygter

Baglygter

Rotorlink / Flash

Markeringslygter

Speciallygter

Interiørbelysning

Tilbehør



Lumen	Power (W)	Volt (V)	Connection	Dimension (mm)	Item number
1000	9	10-30V	Deutsch	90x90	<b>LA10001</b>
1000	9	10-30V	50 cm cable	90x90	<b>LA10002</b>





Lumen	Kelvin	Power (W)	Service life	Battery capacity	Dimension (mm)	Item number
900	6,000 (cold white)	15	30,000 hours	Max. 8 hours	193x115	LA80001



Safety light - Bluespot

LED Number	Power (W)	Volt (V)	Connection	Dimension (mm)	Varenr.
1 pcs. blue	5	12-100V	Deutsch	109 x 109 x 123	LA10201

Ideal for lighting in mobile workshops and vans.



With on/off switch. Thanks to blue led always easy to find in darkness.



Lumen	Power (W)	Volt (V)	Kelvin	Spreading	Dimension (mm)	Item number
660	7.5	10-16V	4000	120°	500x24x20	<b>LA50005</b>
660	7.5	22-28V	4000	120°	500x24x20	<b>LA50006</b>
1320	15	10-16V	4000	120°	1000x24x20	<b>LA50007</b>
1320	15	22-28V	4000	120°	1000x24x20	<b>LA50008</b>

Lumen	Power (W)	Volt (V)	Kelvin	Spreading	Dimension (mm)	Item number
990	11.25	11-16V	4000	120°	18x18x770	<b>LA50009</b>
990	11.25	22-28V	4000	120°	18x18x770	<b>LA50011</b>
1980	22.5	11-16V	4000	120°	18x18x1520	<b>LA50010</b>
1980	22.5	22-28V	4000	120°	18x18x1520	<b>LA50012</b>

Lumen	Power (W)	Volt (V)	Kelvin	Spreading	Dimension (mm)	Item number
1050	11	10-18V	4000	120°	L: 535 B: 50	<b>LA50013</b>
1050	11	22-30V	4000	120°	L: 535 B: 50	<b>LA50014</b>
2100	22	10-18V	4000	120°	L: 1035 B: 50	<b>LA50015</b>
2100	22	22-30V	4000	120°	L: 1035 B: 50	<b>LA50016</b>



Length can be adjusted by cutting at marks.



Lumen	Power (W)	Volt (V)	Kelvin	Spreading	Dimension (mm)	Item number
2700	30	10-16V	4000	120°	5x12x2.000	<b>LA50019</b>
4050	45	10-16V	4000	120°	5x12x3.000	<b>LA50018</b>
8100	90	10-16V	4000	120°	5x12x6.000	<b>LA50017</b>

Lumen	Power (W)	Volt (V)	Kelvin	Spreading	Dimension (mm)	Item number
3060	36	10-16V	4000	120°	4x8x3.000	<b>LA50020</b>

Front lights

Work lights

Rear lights

Rotating beacon/Flash

Marker lights

Special lights

Interior lighting

Accessories



Item name	Description	Item number
1 Mounting hardware - FIXED	The mountings can be installed on pipes with a thickness of 15-28 mm and can be used for lights, screens, GPS etc.	<b>LA10042</b>
2 Mounting hardware - 360° rotate		<b>LA10043</b>

**Fits perfect for worklamps la10003 to. But also to some others.**



Item name	Volt (V)	Length (mm)	Thickness	Item number
Cable with 2-pole Deutsch Plug	12-24 V	2000	1,5	<b>KADT062S2M</b>
Cable with 2-pole Deutsch Plug	12-24 V	4000	1,5	<b>KADT062S4M</b>
Cable with 6-pole Deutsch Plug	12-24 V	2000	1,5	<b>KADT066S2M</b>



Item name	Item number
Deutsch Plug 2-pole DT 06-2S - Complete	<b>DSDT062S</b>



