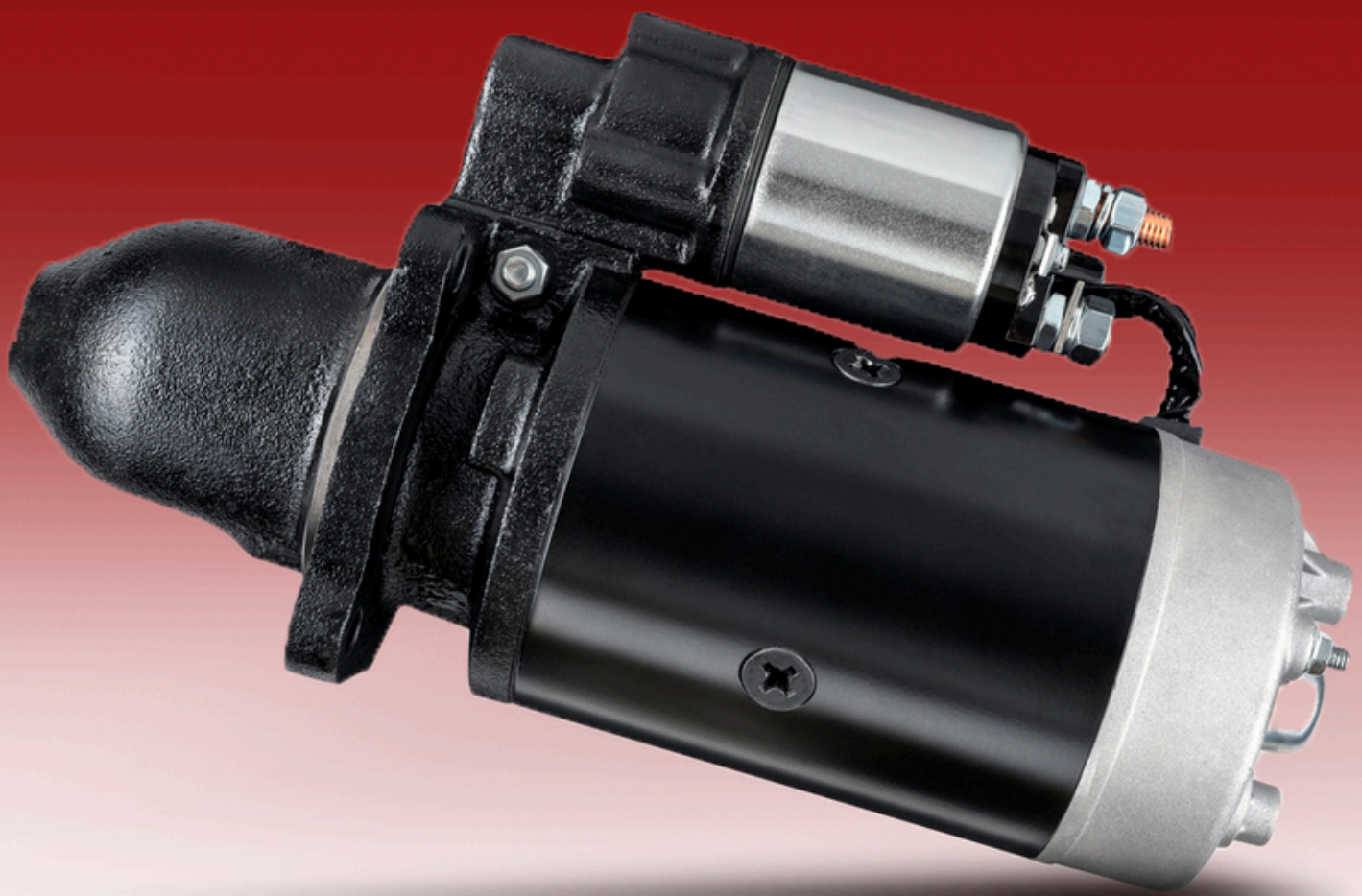


# Starter Motor Catalogue



# CONTENTS


|                         |    |
|-------------------------|----|
| Bobcat .....            | 3  |
| Briggs & Stratton ..... | 4  |
| Case-IH .....           | 5  |
| Claas .....             | 8  |
| David Brown .....       | 9  |
| Deutz-Fahr .....        | 10 |
| Eicher .....            | 11 |
| Fendt .....             | 12 |
| Fiat .....              | 13 |
| Ford .....              | 14 |
| Holder .....            | 16 |
| Hurlimann .....         | 17 |
| JCB .....               | 18 |
| John Deere .....        | 19 |
| Kubota .....            | 21 |
| Lamorghini .....        | 22 |
| Landini .....           | 23 |
| Lidner .....            | 24 |
| Ljungby .....           | 25 |
| Massey Ferguson .....   | 26 |
| McCormick .....         | 28 |
| Mercedes Benz .....     | 30 |
| Merlo .....             | 31 |
| New Holland .....       | 32 |
| Renault .....           | 34 |
| SAME .....              | 35 |
| Schaeff .....           | 36 |
| Steyr .....             | 37 |
| Valpadana .....         | 39 |
| Valtra-Valmet .....     | 40 |
| Zetor .....             | 41 |

\*OEM references within this catalogue are provided for cross-reference purposes only.


# Bobcat


|  |                        |
|--|------------------------|
| <b>KR-STA2167249</b>   |                        |
| Voltage: 12V   | OEM: 91013894, AZJ3217 |
| Motor Power: 2.7 kW  |                        |
| No. of Teeth: 10   | Suitable for:          |
| Rotation: Clockwise  | Skid Steer Loader 980  |
|  |                        |


# Briggs & Stratton


|  |                                       |
|--|---------------------------------------|
| <b>KR-STA2167282</b>   |                                       |
| Voltage: 12V   | OEM: 27463, AZE4255, AZJ3204, AZJ3347 |
| Motor Power: 3.2 kW  |                                       |
| No. of Teeth: 11   | Suitable for:                         |
| Rotation: Clockwise  | Various engines                       |
|  |                                       |


# Case-IH


| KR-STAI207GP   |                           |
|--|---------------------------|
| Voltage: 12V   | OEM:                      |
| Motor Power: 2.8 kW  |                           |
| No. of Teeth: 10   | Suitable for:<br>CX50, 60 |
| Rotation: Clockwise  |                           |
|  |                           |


| KR-STAI213GP   |  |
|--|--|
| Voltage: 12V   | OEM:   |
| Motor Power: 2.7 kW  |  |
| No. of Teeth: 9  | Suitable for:<br>C55, 64, 70, 80, 90, CS68, 75, 78, 86, 94 |
| Rotation: Clockwise  |  |
|  |  |

| KR-STAI216GP   |  |
|--|--|
| Voltage: 12V   | OEM:   |
| Motor Power: 3.0 kW  |  |
| No. of Teeth: 9  | Suitable for:<br>C55, 64, 70, CS68, 75, 78, 86, 94 |
| Rotation: Clockwise  |  |
|  |  |


| KR-STAI222GP   |   |
|--|---|
| Voltage: 12V   | OEM:  |
| Motor Power: 3.0 kW  |   |
| No. of Teeth: 9  | Suitable for:<br>2140, 2140 PRO, 2150, 2150 PRO |
| Rotation: Clockwise  |   |
|  |   |


| KR-STAI21672186  |   |
|--|---|
| Voltage: 12V   | OEM: 323319A1, AZF4251  |
| Motor Power: 4.2 kW  |   |
| No. of Teeth: 10   | Suitable for:<br>C70, 80, 90, 100, CS78, 94, CX70, 80, 90, 100, FARMALL 85, 95, 105, 115, JX90, 95, 1070, 1080, 1085, 1090, 1095, 1100, JXU75, 85, 95, 105, 115, LUXSUM 100, 110, 120, MAXXUM 100, 110, 115, 120, 130, MXU100, 110, 115, PUMA 130, 140, 145, 150, 160, 170, 175, 180, 185, 200, 215, 230, QUANTUM 85, 95, 105 |
| Rotation: Clockwise  |   |
|  |   |


| KR-STAI21672187  |                             |
|--|-----------------------------|
| Voltage: 12V   | OEM: AZJ3149                |
| Motor Power: 2.4 kW  |                             |
| No. of Teeth: 11   | Suitable for:<br>2120, 2130 |
| Rotation: Clockwise  |                             |
|  |                             |


| KR-STAI21672190   |  |
|---|--|
| Voltage: 12V  | OEM:   |
| Motor Power: 3.0 kW   |  |
| No. of Teeth: 10  | Suitable for:<br>C70, 80, 90, 100, CS78, 94, CX70, 80, 90, 100, MX80C, 90C |
| Rotation: Clockwise   |  |
|  |  |


| KR-STAI2167246   |  |
|--|--|
| Voltage: 12V   | OEM: AZJ3364, IS1018   |
| Motor Power: 3.2 kW  |  |
| No. of Teeth: 10   | Suitable for:<br>238, 248, 258, 268, 385, 454, 474, 484, 485, 495, 574, 584, 585, 595, 674, 684, 685, 695, 784, 785, 795, 884, 885, 895, 995, 3210, 3220, 3230, 4210, 4220, 4230, 4240 |
| Rotation: Clockwise  |  |
|  |  |


|  |   |
|--|---|
| <b>KR-STA2167247</b>   |   |
| Voltage: 12V   | OEM: 114800A1, AZJ3216, AZJ3236, DEM216                           |
| Motor Power: 3.1 kW  |   |
| No. of Teeth: 9  | Suitable for:<br>5130, 5140, 5150, MX100, 110, 120, 135, 150, 170 |
| Rotation: Clockwise  |   |
|  |   |

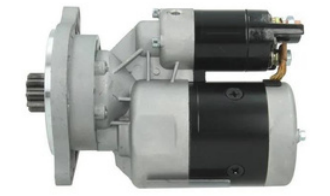
|  |                       |
|--|-----------------------|
| <b>KR-STA2167249</b>   |                       |
| Voltage: 12V   | OEM: AZJ3217, DEM010  |
| Motor Power: 2.7 kW  |                       |
| No. of Teeth: 10   | Suitable for:<br>5120 |
| Rotation: Clockwise  |                       |
|  |                       |

|  |   |
|--|---|
| <b>KR-STA2167256</b>   |   |
| Voltage: 12V   | OEM: 4739353, 500333269, AZJ3538  |
| Motor Power: 2.7 kW  |   |
| No. of Teeth: 9  | Suitable for:<br>JX55, 60, 65, 70, 75, 80, 85, 90, 95, 1060, 1070, 1075, 1095 |
| Rotation: Clockwise  |   |
|  |   |


|  |  |
|--|--|
| <b>KR-STA2167258</b>   |  |
| Voltage: 12V   | OEM: 87755550, AZF4539, AZJ3182                  |
| Motor Power: 3.0 kW  |  |
| No. of Teeth: 10   | Suitable for:<br>MXM120, 130, 140, 155, 175, 190 |
| Rotation: Clockwise  |  |
|  |  |


|  |  |
|--|--|
| <b>KR-STA2167261</b>   |  |
| Voltage: 12V   | OEM: 84151331, AZF4122   |
| Motor Power: 4.2 kW  |  |
| No. of Teeth: 10   | Suitable for:<br>MAXXUM 100, 110, 115, 120, 125, 130, 140, MXU100, 110, 115, 125, 130, 135, PUMA 115, 125, 130, 140, 145, 150, 155, 160, 165, 170, 175, 180, 185, 195, 200, 210, 215, 220, 225, 230, 240 |
| Rotation: Clockwise  |  |
|  |  |


|  |  |
|--|--|
| <b>KR-STA2167296</b>   |  |
| Voltage: 12V   | OEM: 7700026780, AZJ3244                           |
| Motor Power: 3.1 kW  |  |
| No. of Teeth: 9  | Suitable for:<br>C55, 64, 70, CS68, 75, 78, 86, 94 |
| Rotation: Clockwise  |  |
|  |  |


|  |   |
|--|---|
| <b>KR-STA2167304</b>   |   |
| Voltage: 12V   | OEM: 5142733, 9142680, AZJ3115                  |
| Motor Power: 2.7 kW  |   |
| No. of Teeth: 9  | Suitable for:<br>JX70, 75, 80, 85, 90, 95, 1095 |
| Rotation: Clockwise  |   |
|  |   |


|  |   |
|--|---|
| <b>KR-STA2167305</b>   |   |
| Voltage: 12V   | OEM: 162000090722, 84284540, AZF4190  |
| Motor Power: 4.2 kW  |   |
| No. of Teeth: 11   | Suitable for:<br>CS80, 85, 90, 95, 100, 105, CVX140, 150, 160, 175, 195, 1135, 1145, 1155, 1170, 1190, 1195 |
| Rotation: Clockwise  |   |
|  |   |


|  |  |
|--|--|
| <b>KR-STA26171741</b>  |  |
| Voltage: 12V   | OEM:   |
| Motor Power: 4.2 kW  |  |
| No. of Teeth: 10   | Suitable for:<br>C70, 80, 90, 100, CX70, 80, 90, 100, MX80C, 90C, 100C |
| Rotation: Clockwise  |  |
|  |  |

|  |   |
|--|---|
| <b>KR-STA26171781</b>  |   |
| Voltage: 12V   | OEM:  |
| Motor Power: 3.1 kW  |   |
| No. of Teeth: 9  | Suitable for:<br>523, 553, 624, 644, 654, 724, 743, 744, 745, 824, 844, 845, 856, 946, 955, 956, 1046, 1055, 1056, 1246, 1255, 1455 |
| Rotation: Clockwise  |   |
|  |   |

|  |   |
|--|---|
| <b>KR-IS0403</b>   |   |
| Voltage: 12V   | OEM: AZJ3110, 4699705, 4737755, 4755109, 504059251                          |
| Motor Power: 3.0 kW  |   |
| No. of Teeth: 9  | Suitable for:<br>JX70U, JX75, JX80, JX80U, JX85, JX90, JX90U, JX95, JX1095N |
| Rotation: Clockwise  |   |
|  |   |

|  |   |
|--|---|
| <b>KR-IS0897</b>   |   |
| Voltage: 12V   | OEM: 132000090705, 142000090700, AZJ3405  |
| Motor Power: 3.0 kW  |   |
| No. of Teeth: 10   | Suitable for:<br>CS68, 75, 78, 80, 85, 86, 90, 94, 95, 100, 105, 110, 120, 130, 150, CVX120, 130, 150, 170, |
| Rotation: Clockwise  |   |
|  |   |


|  |   |
|--|---|
| <b>KR-IS1089</b>   |   |
| Voltage: 12V   | OEM: A187728, AZF4577   |
| Motor Power: 4.2 kW  |   |
| No. of Teeth: 10   | Suitable for:<br>Tractors 7210, 7220, 7230, 7240, Combine Harvesters 2144, 2166, 2188 |
| Rotation: Clockwise  |   |
|  |   |


|  |  |
|--|--|
| <b>KR-VPF2024</b>  |  |
| Voltage: 12V   | OEM: 504059251   |
| Motor Power: 3.0 kW  |  |
| No. of Teeth: 9  | Suitable for:<br>FARMALL JX75, JX55, 60, 65, 70, 80, 85, 90, 95, 100, 1060, 1070, 1075, 1095 |
| Rotation: Clockwise  |  |
|  |  |


|  |   |
|--|---|
| <b>KR-VPF1600</b>  | <b>Brush Set</b>                              |
|  | OEM: 3043327R91                               |
|  | Suitable for:<br>250, 275, 276, 354, 414, 434 |



# Claas

| KR-STA1207GP   |   |
|--|---|
| Voltage: 12V   | OEM:  |
| Motor Power: 2.8 kW  |   |
| No. of Teeth: 10   | Suitable for:<br>Combine Harvesters DOMINATOR 68, 78, 88, 98, MEDION 310, 320, Telehandlers RANGER 925, 975, TARGO K 70 |
| Rotation: Clockwise  |   |
|  |   |


| KR-STA21672186   |                                 |
|--|---------------------------------|
| Voltage: 12V   | OEM: AZF4251                    |
| Motor Power: 4.2 kW  |                                 |
| No. of Teeth: 10   | Suitable for:<br>TALOS 220, 230 |
| Rotation: Clockwise  |                                 |
|  |                                 |


| KR-STA2167265  |  |
|--|--|
| Voltage: 12V   | OEM: 6005012976, AZJ3158, AZJ3181, AZJ3283 |
| Motor Power: 3.0 kW  |  |
| No. of Teeth: 10   | Suitable for:<br>CELTIS 426, 436, 446, 456 |
| Rotation: Clockwise  |  |
|  |  |

| KR-STA2167270  |  |
|--|--|
| Voltage: 12V   | OEM: AZJ3261                                       |
| Motor Power: 3.6 kW  |  |
| No. of Teeth: 10   | Suitable for:<br>ARES 546, 556, 566, 616, 656, 696 |
| Rotation: Clockwise  |  |
|  |  |

| KR-STA2167289  |   |
|--|---|
| Voltage: 12V   | OEM: 0011519401, 0021519401, 0031510501, 0031517301, 0031518701, 0041512201, 6853810, AZJ3118   |
| Motor Power: 3.0 kW  |   |
| No. of Teeth: 9  | Suitable for:<br>Combine Harvesters DOMINATOR 68, 76, 78, 86, 88, 96, 98, 118-108, 128-108, LEXION 430-410, 430-415, MEGA 202, 204-203, 218-208 |
| Rotation: Clockwise  |   |
|  |   |


| KR-STA2167297  |  |
|--|--|
| Voltage: 12V   | OEM: 0011230230, 11131167, AZJ3284   |
| Motor Power: 3.0 kW  |  |
| No. of Teeth: 10   | Suitable for:<br>ARES 547, 557, 567, 577, 617, 657, 697, 816, 826, 836, ARION 410, 420, 430, 510, 520, 530, 540, 610, 620, 630, 640, CELTIS 426, 436, 446, 456 |
| Rotation: Clockwise  |  |
|  |  |

| KR-STA26171741   |                                      |
|--|--------------------------------------|
| Voltage: 12V   | OEM:                                 |
| Motor Power: 4.2 kW  |                                      |
| No. of Teeth: 10   | Suitable for:<br>CONSUL, MERCATOR 50 |
| Rotation: Clockwise  |                                      |
|  |                                      |


| KR-STA26171791   |  |
|--|--|
| Voltage: 12V   | OEM:   |
| Motor Power: 3.0 kW  |  |
| No. of Teeth: 9  | Suitable for:<br>ATLES 915, 926, 935, 936, 946 |
| Rotation: Clockwise  |  |
|  |  |



# David Brown

| KR-STA1301GP   |   |
|--|---|
| Voltage: 12V   | OEM:  |
| Motor Power: 3.0 kW  |   |
| No. of Teeth: 10   | Suitable for:<br>1394, 1494, 1594, 1690, 1694 |
| Rotation: Clockwise  |   |
|  |   |


| KR-STA2167257  |   |
|--|---|
| Voltage: 12V   | OEM: K308650, LRS02129                        |
| Motor Power: 2.8 kW  |   |
| No. of Teeth: 10   | Suitable for:<br>1394, 1494, 1594, 1690, 1694 |
| Rotation: Clockwise  |   |
|  |   |

| KR-STA2167258  |   |
|--|---|
| Voltage: 12V   | OEM: 87755550, AZF4539, AZJ3182         |
| Motor Power: 3.0 kW  |   |
| No. of Teeth: 10   | Suitable for:<br>1394, 1494, 1594, 1690 |
| Rotation: Clockwise  |   |
|  |   |


| KR-STA2167282  |  |
|--|--|
| Voltage: 12V   | OEM: AZE4255, AZJ3204, AZJ3347, K957340  |
| Motor Power: 3.6 kW  |  |
| No. of Teeth: 11   | Suitable for:<br>850, 880, 900, 950, 990, 995, 996, 1200, 1210, 1212, 1290, 1294, 1390, 1394, 1410, 1412, 1490, 1494, 1690, 1694 |
| Rotation: Clockwise  |  |
|  |  |

| KR-VPF1600   | Brush Set  |
|--|--|
|  | OEM:   |
|  | Suitable for:<br>770, 780, 880, 885, 990, 995, 996, 1200, 1210, 1212 |


# Deutz-Fahr


|  |               |
|--|---------------|
| <b>KR-STA21672186</b>  |               |
| Voltage: 12V   | OEM: AZF4251  |
| Motor Power: 4.2 kW  |               |
| No. of Teeth: 10   | Suitable for: |
| Rotation: Clockwise  | AGROLUX 97    |
|  |               |


|  |   |
|--|---|
| <b>KR-STA21672187</b>  |   |
| Voltage: 12V   | OEM: 296190300, 2.9619.030.0, AZJ3149   |
| Motor Power: 2.4 kW  |   |
| No. of Teeth: 11   | Suitable for:   |
| Rotation: Clockwise  | 5060, 5070, 5080, 5090, 5100, AGROCLIMBER 310V, V70, AGROLUX 45, 50, 57, 60, 65, 67, 70, 75, 310, 320, F57, F67, AGROPLUS 55, 65, 67, 75, 310, 315, 320, 330, F55, F65, F70, F75, S70, TTV5090, TTV5100 |
|  |   |

|  |  |
|--|--|
| <b>KR-STA21672198</b>  |  |
| Voltage: 12V   | OEM:   |
| Motor Power: 3.0 kW  |  |
| No. of Teeth: 9  | Suitable for:  |
| Rotation: Clockwise  | 3006, 4006, 4007, 4507, 4807, 5260, 5207, 5506, 6007, 6206, 6207, 6507, 6806, 6807, 6907, 7007, 7206, 7207, 7807, 8006, 10006, AGROCOMPACT 3.30, 3.50, AGROPRIMA 4.31, 4.51, 4.56, 6.06, AGROSTAR 4.61, 4.68, 4.71, 4.78, 6.08, 6.11, 6.21, 6.28, 6.31, AGROXTRA 3.57, 4.07, 4.17, 4.47, 4.57, 6.07, 6.17, D10006, D13006, DX80, 85, 86, 90, 92, 110, 120, 3.10, 3.30, 3.50, 3.60, 3.70, 3.80, 3.90, 4.10, 4.17, 4.30, 4.50, 4.57, 4.70, 6.05, 6.10, 6.30, INTRAC 2002, 2003, 2004, 6.30 |
|  |  |

|  |                 |
|--|-----------------|
| <b>KR-STA2167276</b>   |                 |
| Voltage: 12V   | OEM: AZJ3537    |
| Motor Power: 3.0 kW  |                 |
| No. of Teeth: 11   | Suitable for:   |
| Rotation: Clockwise  | 2505, 3005, D30 |
|  |                 |

|  |   |
|--|---|
| <b>KR-STA26171101</b>  |   |
| Voltage: 12V   | OEM: 01182233, 1182233  |
| Motor Power: 3.1 kW  |   |
| No. of Teeth: 9  | Suitable for:   |
| Rotation: Clockwise  | DX140, 145, 160, 230, 250, DX3.10, 3.30, 3.50, 3.60, 3.65, 3.70, 3.75, 3.80, 3.90, DX4.10, 4.30, 4.50, 4.51, 4.61, 4.70, 4.71, DX6.05, 6.06, 6.10, 6.30, 6.50, DX7.10 |
|  |   |

|  |  |
|--|--|
| <b>KR-STA26171761</b>  |  |
| Voltage: 12V   | OEM:   |
| Motor Power: 2.7 kW  |  |
| No. of Teeth: 9  | Suitable for:  |
| Rotation: Clockwise  | AGROPRIMA 4.31, 4.51, 4.56, 6.06, 6.16, AGROSTAR 4.61, 4.68, 4.71, 4.78, 6.08, 6.11, 6.21, 6.28, 6.31, AGROXTRA 3.57, 4.07, 4.17, 4.47, 4.57, 6.07, 6.17, D4007, 4507, 4807, 5207, 5506, 6006, 6007, 6206, 6207, 6507, 6806, 6807, 6907, 7006, 7007, 7207, 7807, 8006, 10006, DX80, 85, 86, 90, 92, 110, 120, DX3.10, 3.30, 3.50, 3.60, 3.65, 3.70, 3.80, 3.90, DX4.10, 4.30, 4.50, 4.70, DX6.05, 6.10, 6.30 |
|  |  |

|  |   |
|--|---|
| <b>KR-STA26171791</b>  |   |
| Voltage: 12V   | OEM:  |
| Motor Power: 3.0 kW  |   |
| No. of Teeth: 9  | Suitable for:   |
| Rotation: Clockwise  | AGROFARM 80, 85, 100, AGROTRON 120, 130, 150, 150.7, 165.7, 180.7 AGROTRON K110, 410, 420, 430, 610, AGROTRON M600, 610, 620, 640, 650, AGROTRON TTV610, 620, 630, 1130, 1145, 1160 |
|  |   |

# Eicher

## KR-STA2167276

|                     |  |
|---------------------|--|
| Voltage: 12V        | OEM: AZJ3537   |
| Motor Power: 3.0 kW |  |
| No. of Teeth: 11    | <b>Suitable for:</b>   |
| Rotation: Clockwise | 330, 530, 534, 635, 642, 2070, 2080, 2090, 2100, 3035, 3042, 3048, 3056, 3066, 3072, 3080, 3088, 3108, 3125, 3145, TIGER EM200 |





## KR-STA2167283


|                     |                                |
|---------------------|--------------------------------|
| Voltage: 12V        | OEM: AZJ3148, AZJ3248, AZJ3315 |
| Motor Power: 2.0 kW |                                |
| No. of Teeth: 10    | <b>Suitable for:</b>           |
| Rotation: Clockwise | 4060, 4072                     |





# Fendt

| KR-STA1213GP   |   |
|--|---|
| Voltage: 12V   | OEM:  |
| Motor Power: 2.7 kW  |   |
| No. of Teeth: 9  | Suitable for:<br>FARMER 303, 304, 305, 306, 307,<br>308, 309, 310, 311, 312, FAVORIT 610,<br>611, 612, 614, 615 |
| Rotation: Clockwise  |   |
|  |   |


| KR-STA1216GP   |   |
|--|---|
| Voltage: 12V   | OEM:  |
| Motor Power: 3.0 kW  |   |
| No. of Teeth: 9  | Suitable for:<br>FARMER 102, 103, 104, 105, 108, 305,<br>306, 308, 309, 5S/106, FAVORIT 509,<br>511, 512, 514, 515, 600 |
| Rotation: Clockwise  |   |
|  |   |


| KR-STA21672198   |  |
|--|--|
| Voltage: 12V   | OEM:   |
| Motor Power: 3.0 kW  |  |
| No. of Teeth: 9  | Suitable for:<br>203, F360GT, F365GTA, F370GT,<br>F380GT, FARMER 203, 270, 307,<br>GT360GT, GT365GT, GT370GT,<br>GT380GT, GTA370 |
| Rotation: Clockwise  |  |
|  |  |


| KR-STA2167291  |  |
|--|--|
| Voltage: 24V   | OEM: AZF4509, F926900060041  |
| Motor Power: 4.0 kW  |  |
| No. of Teeth: 11   | Suitable for:<br>916, 920, 924, 926, 930, FAVORIT<br>816, 818, 822, 824, 916, 920, 924,<br>926 |
| Rotation: Clockwise  |  |
|  |  |

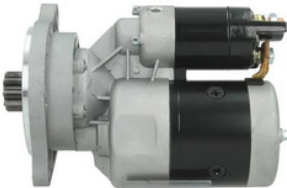
| KR-STA2167296  |   |
|--|---|
| Voltage: 12V   | OEM: AZJ3244  |
| Motor Power: 3.1 kW  |   |
| No. of Teeth: 9  | Suitable for:<br>FARMER 102, 103, 104, 105, 108, 305,<br>306, 308, 309, 310, 311, 312, 5S/106,<br>FAVORIT 509, 511, 512, 514, 515, 600, |
| Rotation: Clockwise  |   |
|  |   |


| KR-STA2167305  |   |
|--|---|
| Voltage: 12V   | OEM: 569018D1, V836873457,<br>AZF4190   |
| Motor Power: 4.2 kW  |   |
| No. of Teeth: 11   | Suitable for:<br>310 S4, 311 S4, 312 S4, 313 S4, 938<br>VARIO MT, 940 VARIO MT, 943<br>VARIO MT |
| Rotation: Clockwise  |   |
|  |   |


| KR-STA26171791   |                      |
|--|----------------------|
| Voltage: 12V   | OEM:                 |
| Motor Power: 3.0 kW  |                      |
| No. of Teeth: 9  | Suitable for:<br>711 |
| Rotation: Clockwise  |                      |
|  |                      |


|  |  |
|--|--|
| <b>KR-STA2167256</b>   |  |
| Voltage: 12V   | OEM: 4739353, 500333269, AZJ3538   |
| Motor Power: 2.7 kW  |  |
| No. of Teeth: 9  | <b>Suitable for:</b><br>450, 466, 470, 480, 500, 540, 566, 580, 45/66, 45/76, 50/66, 50/86, 55/65, 55/66, 55/76, 55/90, 56/66, 60/65, 60/66, 60/76, 60/86, 60/90, 60/94, 62/86, 70/66, 70/76, 80/66, 80/76 |
| Rotation: Clockwise  |  |
|  |  |


|  |                              |
|--|------------------------------|
| <b>KR-STA2167289</b>   |                              |
| Voltage: 12V   | OEM: AZJ3118                 |
| Motor Power: 3.0 kW  |                              |
| No. of Teeth: 9  | <b>Suitable for:</b><br>1300 |
| Rotation: Clockwisw  |                              |
|  |                              |

|  |  |
|--|--|
| <b>KR-STA2167304</b>   |  |
| Voltage: 12V   | OEM: 5142733, 9142680, AZJ3115   |
| Motor Power: 2.7 kW  |  |
| No. of Teeth: 9  | <b>Suitable for:</b><br>550, 580, 600, 640, 666, 680,766, 780, 850, 880, 880/5, 1000, 1300, 1380, 65/66, 65/88, 65/90, 65/94, 70/65, 70/66, 70/76, 70/86, 70/88, 70/90, 72/94, 80/65, 80/66, 80/76, 80/88, 80/90, 82/86, 82/94, 85/90, 88/94 |
| Rotation: Clockwise  |  |
|  |  |


|  |  |
|--|--|
| <b>KR-STA2167312</b>   |  |
| Voltage: 12V   | OEM: AZJ3237, AZJ3299, IS0862  |
| Motor Power: 3.0 kW  |  |
| No. of Teeth: 9  | <b>Suitable for:</b><br>850, 880, 880/5, 980, 1180, 1280, 1300, 1380, 1580, 1880, 88/94, 90/90, 100/90, 110/90, 115/90, 130/90, 140/90, 160/90, 180/90, F100, F110, F115, F120, F130, F140 |
| Rotation: Clockwise  |  |
|  |  |

|  |   |
|--|---|
| <b>KR-STA26171751</b>  |   |
| Voltage: 12V   | OEM:  |
| Motor Power: 3.0 kW  |   |
| No. of Teeth: 9  | <b>Suitable for:</b><br>65/46, 70/65, 70/66, 70/90, 72/85, 80/65, 80/66, 85/55, 95/55, 100/55 |
| Rotation: Clockwise  |   |
|  |   |


|  |   |
|--|---|
| <b>KR-IS0403</b>   |   |
| Voltage: 12V   | OEM: AZJ3110, 4699705, 4737755, 4755109, 504059251  |
| Motor Power: 3.0 kW  |   |
| No. of Teeth: 9  | <b>Suitable for:</b><br>550, 580, 600, 640, 666, 680, 766, 780, 850, 880, 880/5, 1000, 1300, 1380, 65/66, 65/88, 65/90, 65/94, 70/65, 70/66, 70/76, 70/86, 70/88, 70/90, 72/94, 80/65, 80/66, 80/76, 80/88, 80/90, 82/86, 82/94, 85/90, 88/94 |
| Rotation: Clockwise  |   |
|  |   |

|  |  |
|--|--|
| <b>KR-VPF2024</b>  |  |
| Voltage: 12V   | OEM: 4172113, 4692478, 4703751, 4737755, 4739353, 4807375, 4832942   |
| Motor Power: 3.0 kW  |  |
| No. of Teeth: 9  | <b>Suitable for:</b><br>550, 600, 605, 640, 665, 666, 670, 680, 766, 780, 1000, 65/46, 65/56, 65/66, 65/90, 65/93, 65/94, 70/56, 70/65, 70/66, 70/90, 72/93, 72/94, 80/66, 80/90, 82/93, 82/94, 85/90, 88/94 |
| Rotation: Clockwise  |  |
|  |  |


# Ford

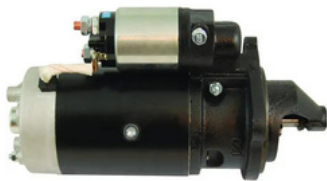
| KR-STA1301GP   |   |
|--|---|
| Voltage: 12V   | OEM:  |
| Motor Power: 3.0 kW  |   |
| No. of Teeth: 10   | Suitable for:   |
| Rotation: Clockwise  |   |
|  | 2000, 2310, 2600, 2610, 2910, 3000, 3230, 3430, 3600, 3610, 3910, 4000, 4100, 4110, 4130, 4600, 4610, 4630, 4830, 5000, 5030, 5110, 5600, 5610, 5640, 6410, 6600, 6610, 6640, 6700, 6710, 6810, 7000, 7600, 7610, 7700, 7710, 7740, 7810, 7840, 7910, 8000, 8210, 8240, 8340, 8530, 8600, 8630, 8730, 8830, 9000, 9600, 9700, TW5, TW10, TW15, TW20, TW25, TW30, TW35 |


| KR-STA2167256  |                                  |
|--|----------------------------------|
| Voltage: 12V   | OEM: 4739353, 500333269, AZJ3538 |
| Motor Power: 2.7 kW  |                                  |
| No. of Teeth: 9  | Suitable for:                    |
| Rotation: Clockwise  |                                  |
|  | 3435, 3935, 4135                 |


| KR-STA2167257  |   |
|--|---|
| Voltage: 12V   | OEM: 83949348, 9142765, LRS02129  |
| Motor Power: 2.8 kW  |   |
| No. of Teeth: 10   | Suitable for:   |
| Rotation: Clockwise  |   |
|  | 2000, 2310, 2600, 2610, 2910, 3000, 3230, 3430, 3600, 3610, 3910, 4000, 4100, 4110, 4130, 4600, 4610, 4630, 4830, 5000, 5030, 5110, 5600, 5610, 5640, 6410, 6600, 6610, 6640, 6700, 6710, 6810, 7000, 7600, 7610, 7700, 7710, 7740, 7810, 7840, 7910, 8000, 8210, 8240, 8340, 8530, 8600, 8630, 8730, 8830, 9000, 9600, 9700, TW5, TW10, TW15, TW20, TW25, TW30, TW35 |

| KR-STA2167258  |   |
|--|---|
| Voltage: 12V   | OEM: 87755550, AZF4539, AZJ3182   |
| Motor Power: 3.0 kW  |   |
| No. of Teeth: 10   | Suitable for:   |
| Rotation: Clockwise  |   |
|  | 2000, 2310, 2600, 2610, 2910, 3000, 3230, 3430, 3600, 3610, 3910, 4000, 4100, 4110, 4130, 4600, 4610, 4630, 4830, 5000, 5030, 5110, 5600, 5610, 5640, 6410, 6600, 6610, 6640, 6700, 6710, 6810, 7000, 7600, 7610, 7700, 7710, 7740, 7810, 7840, 7910, 8000, 8210, 8240, 8340, 8530, 8600, 8630, 8730, 8830, 9000, 9600, 8700, TW5, TW10, TW15, TW20, TW25, TW30, TW35 |

| KR-STA2167311  |   |
|--|---|
| Voltage: 12V   | OEM: AZJ3201  |
| Motor Power: 3.1 kW  |   |
| No. of Teeth: 10   | Suitable for:   |
| Rotation: Clockwise  |   |
|  | 2000, 2310, 2600, 2610, 2910, 3000, 3230, 3430, 3600, 3610, 3910, 4000, 4100, 4110, 4130, 4600, 4610, 4630, 4830, 5000, 5030, 5110, 5600, 5610, 5640, 5700, 6410, 6600, 6610, 6640, 6700, 6710, 6810, 7000, 7010, 7600, 7610, 7700, 7740, 7810, 7840, 7910, 8000, 8010, 8160, 8210, 8240, 8260, 8340, 8360, 8530, 8560, 8630, 8730, 8830, 9000, 9600, 9700, TW5, TW10, TW15, TW20, TW25, TW30, TW35 |

| KR-STA2167312  |                               |
|--|-------------------------------|
| Voltage: 12V   | OEM: AZJ3237, AZJ3299, ISO862 |
| Motor Power: 3.0 kW  |                               |
| No. of Teeth: 9  | Suitable for:                 |
| Rotation: Clockwise  |                               |
|  | 8830                          |


| KR-STA26171751   |                                       |
|--|---------------------------------------|
| Voltage: 12V   | OEM:                                  |
| Motor Power: 3.0 kW  |                                       |
| No. of Teeth: 9  | Suitable for:                         |
| Rotation: Clockwise  |                                       |
|  | 3010S, 4010S, 4835, 5010S, 6635, 7635 |

| KR-VPF2024   |                  |
|--|------------------|
| Voltage: 12V   | OEM: 4807375,    |
| Motor Power: 3.0 kW  |                  |
| No. of Teeth: 9  | Suitable for:    |
| Rotation: Clockwise  |                  |
|  | 3435, 3935, 4135 |


|  |   |
|--|---|
| KR-VPF1600   | Brush Set   |
|  | OEM: 309807F, 81819321  |
|  | Suitable for:<br>2000, 3000, 3055, 4000, 5000,<br>7000, DEXTA, MAJOR, POWER<br>MAJOR, SUPER DEXTA, SUPER<br>MAJOR |



# Holder


|  |                                |
|--|--------------------------------|
| <b>KR-STA2167283</b>   |                                |
| Voltage: 12V   | OEM: AZJ3148, AZJ3248, AZJ3315 |
| Motor Power: 2.0 kW  |                                |
| No. of Teeth: 10   | Suitable for:                  |
| Rotation: Clockwise  | B50, B51, P60                  |
|  |                                |


# Hurlimann


| KR-STA1222GP   |   |
|--|---|
| Voltage: 12V   | OEM:  |
| Motor Power: 3.0 kW  |   |
| No. of Teeth: 9  | Suitable for:<br>H75, 90, 100, 356, 358, 360, 466, 468,<br>468.4, 470, 476, 478, 478-4, 481, 486, 488,<br>491, 496, 4105, 5116, 6115, 6130, 6135, 6136,<br>6160, 6165, 6170, 6190, MASTER,<br>PRESTIGE 75, 95, SX1200, 1350, 1500, 1600,<br>1800, 2000, XA76, 86, 607, XB85, 95, XF75,<br>90, XN708, 709, XS75, 90, 100, XT85, 95,<br>105, 110, 115, 130, 908, 909, 910.4, 910.6, 911,<br>913 |
| Rotation: Clockwise  |   |
|  |   |


| KR-STA21672187   |   |
|--|---|
| Voltage: 12V   | OEM: 296190300, 2.9619.030.0,<br>AZJ3149  |
| Motor Power: 2.4 kW  |   |
| No. of Teeth: 11   | Suitable for:<br>H55, 70, 305, 306, 307, 345, 351, 355,<br>358, 358.4, 361, 362, 365, 372, 375,<br>476, XA56, 66, 606, 655, 656, 657,<br>658, XE55, 70, XF55, 70, XN706, 707,<br>XS70 |
| Rotation: Clockwise  |   |
|  |   |


| KR-STA2167276  |   |
|--|---|
| Voltage: 12V   | OEM: AZJ3537  |
| Motor Power: 3.0 kW  |   |
| No. of Teeth: 11   | Suitable for:<br>H355, 360, 361, 470, 480, 490, 5110,<br>6130, 6160 |
| Rotation: Clockwise  |   |
|  |   |


| KR-STA1207GP   |   |
|--|---|
| Voltage: 12V   | OEM:  |
| Motor Power: 2.8 kW  |   |
| No. of Teeth: 10   | Suitable for:<br>Backhoe Loaders 3C, 3C/CX, 3D,<br>3D/DS, 3DS, 4C,<br>Tractors FASTRAC 125, 130, 135, 145T,<br>150T, 155, 185, 1115, 1135, 2115, 2125,<br>2135, 2150, 3155,<br>Wheel Loaders 410, 412, 420, 430 |
| Rotation: Clockwise  |   |
|  |   |

| KR-STA2167249  |                                    |
|--|------------------------------------|
| Voltage: 12V   | OEM: AZJ3217                       |
| Motor Power: 2.7 kW  |                                    |
| No. of Teeth: 10   | Suitable for:<br>FASTRAC 185, 3185 |
| Rotation: Clockwise  |                                    |
|  |                                    |

| KR-STA2167283  |   |
|--|---|
| Voltage: 12V   | OEM: AZJ3148, AZJ3248, AZJ3315,<br>IS0520 |
| Motor Power: 2.0 kW  |   |
| No. of Teeth: 10   | Suitable for:<br>Wheel Loaders 406        |
| Rotation: Clockwise  |   |
|  |   |


| KR-STA26171671   |   |
|--|---|
| Voltage: 12V   | OEM:  |
| Motor Power: 2.8 kW  |   |
| No. of Teeth: 10   | Suitable for:<br>FASTRAC 125, 135, 145, 150, 155, 1115,<br>1135 |
| Rotation: Clockwise  |   |
|  |   |


| KR-STA26171681   |   |
|--|---|
| Voltage: 12V   | OEM: VPF2019  |
| Motor Power: 3.0 kW  |   |
| No. of Teeth: 10   | Suitable for:<br>FASTRAC 125, 135, 145T, 150T, 155,<br>1115, 1135 |
| Rotation: Clockwise  |   |
|  |   |


| KR-STA26171741   |   |
|--|---|
| Voltage: 12V   | OEM:  |
| Motor Power: 4.2 kW  |   |
| No. of Teeth: 10   | Suitable for:<br>2CX, 3CX, 410, 411, 4C, 4CX, 525-50,<br>530, 532, 533-105, 535-95, 537, 540,<br>540-170, 926, 930, 940 |
| Rotation: Clockwise  |   |
|  |   |

| KR-VPF1600   |  |
|--|--|
| Brush Set  |  |
| OEM: 47H5388, GGB102   |  |
| Suitable for:<br>3C, 3D, 4C  |  |
|  |  |

# John Deere

| KR-STA21672190   |   |
|--|---|
| Voltage: 12V   | OEM: RE506105   |
| Motor Power: 3.0 kW  |   |
| No. of Teeth: 10   | <b>Suitable for:</b><br>4700, 4710, 7210, 7410, 7510, 7600,<br>7610, 8130, 8230, 8230T, 8330, 8330T,<br>8430, 8430T, 8530, 9230 |
| Rotation: Clockwise  |   |
|  |   |

| KR-STA21672196   |   |
|--|---|
| Voltage: 12V   | OEM:  |
| Motor Power: 4.8 kW  |   |
| No. of Teeth: 11   | <b>Suitable for:</b><br>4700, 4710, 6300, 6500, 6600, 7210,<br>7405, 7410, 7500, 7510, 7600, 7610,<br>7710, 7810, 8130, 8225R, 8230, 8230T,<br>8235R, 8245R, 8260R, 8270R, 8285R,<br>8295R, 8310R, 8310RT, 8320R, 8320RT,<br>8330, 8330T, 8335R, 8335RT, 8345R,<br>8345RT, 8360R, 8360RT, 8370R,<br>8370RT, 8430, 8430T, 8530, 9230,<br>9370R |
| Rotation: Clockwise  |   |
|  |   |

| KR-STA2167265  |   |
|--|---|
| Voltage: 12V   | OEM: AL110503, AL110504, AL110597,<br>AL110598, AL39700, AL62772, AL78760,<br>AR70436, AZJ3158, AZJ3181, AZJ3283,<br>RE500733, RE60384  |
| Motor Power: 3.0 kW  | <b>Suitable for:</b><br>Combine Harvesters 925, 930, 932, 935, 940, 942,<br>945, 950, 952, 955, 960, 965, 965H, 968H, 970, 975,<br>975 HYDRO/5, 986, 1032, 1042, 1052, 1055, 1066,<br>1068H, 1072, 1075, 1075 HYDRO/H, 1155, 1157, 1158,<br>1166 HYDRO/5, 1166/HYDRO4, 1167, 1169, 1169<br>HYDRO/5, 1174 HYDRO/5, 1174/HYDRO4, 1175,<br>1177/HYDRO4, 1178, 1188/HYDRO4, 2054, 2254,<br>Tractors 310, 510, 710, 820, 830, 920, 930, 1020,<br>1030, 1040, 1120, 1130, 1445F, 1830, 2020, 2030, 2120,<br>2130, 3030, 3120, 3130, 3150, 5070M, 5080M,<br>5090M, 5100M |
| Rotation: Clockwise  |   |
|  |   |


| KR-STA2167270  |   |
|--|---|
| Voltage: 12V   | OEM: AL70852, AZJ3261,  |
| Motor Power: 3.6 kW  | <b>Suitable for:</b><br>5080, 5090, 5200, 5210, 5300, 5310,<br>5400, 5410, 5420, 5500, 5510, 5520 |
| Rotation: Clockwise  |   |
|  |   |

| KR-STA2167271  |   |
|--|---|
| Voltage: 12V   | OEM: AZE4603, AZE4655, IS1027,<br>RE505746, RE516157, RE62916 |
| Motor Power: 3.2 kW  | <b>Suitable for:</b><br>5085M, 5090M                          |
| Rotation: Clockwise  |   |
|  |   |

| KR-STA2167283  |   |
|--|---|
| Voltage: 12V   | OEM: AZJ3148, AZJ3248, AZJ3315  |
| Motor Power: 2.0 kW  | <b>Suitable for:</b><br>Combine Harvesters 1170,<br>Telehandlers 3800 |
| Rotation: Clockwise  |   |
|  |   |

| KR-STA2167297  |  |
|--|--|
| Voltage: 12V   | OEM: AZJ3284                             |
| Motor Power: 3.0 kW  | <b>Suitable for:</b><br>3210, 3310, 3410 |
| Rotation: Clockwise  |  |
|  |  |

| KR-STA2617056  |  |
|--|--|
| Voltage: 12V   | OEM:   |
| Motor Power: 4.2 kW  | <b>Suitable for:</b><br>6505, 6506, 6510, 6520, 6530, 6600,<br>6610, 6620, 6630, 6800, 6810, 6820,<br>6830, 6900, 6910, 6920, 6930, 7720 |
| Rotation: Clockwise  |  |
|  |  |

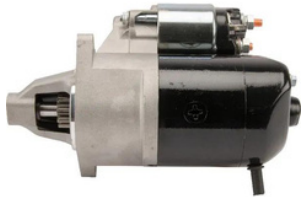
|  |  |
|--|--|
| <b>KR-STA26171581</b>  |  |
| Voltage: 12V   | OEM:   |
| Motor Power: 4.0 kW  |  |
| No. of Teeth: 10   | Suitable for:<br>3020, 4000, 4020, 4030, 4040,<br>4050, 4230, 4240, 4250, 4320, 4350,<br>4430, 4440, 4450, 4520, 4620, 4630,<br>4640, 4650, 4755, 4840, 4850, 4955,<br>8430, 8440, 8450, 8560, 8640, 8650,<br>8760, 8960 |
| Rotation: Clockwise  |  |
|  |  |

|  |   |
|--|---|
| <b>KR-IS1157</b>   |   |
| Voltage: 12V   | OEM: AL70852, AZF4570,<br>RE503226, RE504807  |
| Motor Power: 4.2 kW  |   |
| No. of Teeth: 10   | Suitable for:<br>Combine Harvesters 2054, 2254, Telehandlers 3800,<br>Tractors 840, 940, 1040, 1140, 1350, 1550, 1640, 1750,<br>1840, 1850, 1950, 2040, 2140, 2250, 2450, 2650, 2850,<br>3030, 3040, 3050, 3100, 3110, 3130, 3140, 3150, 3200,<br>3210, 3300, 3310, 3340, 3350, 3400, 3410, 3640, 3650,<br>5070, 5080, 5090, 5100, 5200, 5210, 5300, 5310, 5400,<br>5410, 5420, 5500, 5510, 5520, 5620, 6010, 6100, 6110,<br>6200, 6210, 6300, 6310, 6400, 6410, 6506, 6510, 6520,<br>6600, 6610, 6620, 6800, 6810, 6820, 6900, 6910, 6920,<br>7220, 7320, 7420, 7500, 7520, SE6100, SE6110,<br>SE6200, SE6210, SE6300, SE6310, SE6400, SE6410,<br>SE6510, SE6610, SE6620, SE6920 |
| Rotation: Clockwise  |   |
|  |   |

# Kubota

## KR-STA26170471

|                     |  |
|---------------------|--|
| Voltage: 12V        | OEM: 1523163015, 15231-63015                                       |
| Motor Power: 0.8 kW |  |
| No. of Teeth: 9     | Suitable for:<br>B1550D, B1550HST-D, B1750D,<br>B1750HST-D, B4200D |
| Rotation: Clockwise |  |




## KR-STA26170961

|                     |   |
|---------------------|---|
| Voltage: 12V        | OEM:  |
| Motor Power: 1.4 kW |   |
| No. of Teeth: 9     | Suitable for:<br>L295, L2250, L2550, L2650, L2850,<br>L2950, L3250, L3450, L3600, L3650,<br>L3710, L4200, L4300, L4310, L4610 |
| Rotation: Clockwise |   |




# Lamborghini


## KR-STA1222GP

|  |  |
|--|--|
| Voltage: 12V   | OEM:   |
| Motor Power: 3.0 kW  |  |
| No. of Teeth: 9  | <b>Suitable for:</b><br>674-70, 774-80, 874-90, 956-100, 1106, 1306, 1506, 1706, AGILE 775V, 880S, 990S, CHAMPION 120, 135, 150, 160, 180, 200, CROSS 674-70, FORMULA 105, 115, 135, GRANP PRIX 75, 95, 674-70, 774-80, 874-90, GRIMPER 570, PLUS 75, 90, 100, 880, 990, PREMIUM 850, 950, 1050, 1060, 1100, 1300, R503, 583, 784, 1156, 1556, 2.76, 2.86, 3.75, 3.85, 3.95, 4.85, 4.95, 4.105, 4.110, 5.115, 5.130, RACING 150, 165, 190, RF.75, .90, .100, RS.75, .90, .100, RV.75, .90, .100, SPRINT 674-70 |
| Rotation: Clockwise  |  |
|  |  |

## KR-STA21672187


|  |   |
|--|---|
| Voltage: 12V   | OEM: 296190300, 2.9619.030.0, AZJ3149   |
| Motor Power: 2.4 kW  |   |
| No. of Teeth: 11   | <b>Suitable for:</b><br>573-60, 574-60, AGILE 660S, 660V, 770S, CRONO 55, 70, 554-50, 554-55, 564-60, 564-65, 574-70, 574-75, CROSS 574-60, GRIMPER 555, 560, PLUS 55, 70, 660, 775, R235, 483, 513, 550, 600, 653, 660, 683, 700, 2.56, 2.66, RF.55, .70, RS.70, RV.70, SPRINT 654-55, 664-60, 664-65, 674-75, 684-85, |
| Rotation: Clockwise  |   |
|  |   |

## KR-STA2167276

|  |   |
|--|---|
| Voltage: 12V   | OEM: AZJ3537  |
| Motor Power: 3.0 kW  |   |
| No. of Teeth: 11   | <b>Suitable for:</b><br>R613V, 653, 654, 660, 684, 754, 784, 854, 955, 1056, 1256, 1356, 1556 |
| Rotation: Clockwise  |   |
|  |   |



# Landini

|  |   |
|--|---|
| <b>KR-STA1207GP</b>  |   |
| Voltage: 12V   | <b>OEM:</b>   |
| Motor Power: 2.8 kW  |   |
| No. of Teeth: 10   | <b>Suitable for:</b><br>LEGEND I 105, 115, 130, 145, 165,<br>LEGEND II 115, 120, 130, 140, 160, 180 |
| Rotation: Clockwise  |   |
|  |   |

|  |   |
|--|---|
| <b>KR-STA2167261</b>   |   |
| Voltage: 12V   | <b>OEM:</b> 3670185M92, 3691576M91,<br>AZF4122  |
| Motor Power: 4.2 kW  |   |
| No. of Teeth: 10   | <b>Suitable for:</b><br>115 TIER 2, 145, 165, 180, 180/190, 200/210,<br>220/230, 6-120, 6-125, 6-130, 6-135, 6-140,<br>6-145, 6-160, 6-175, 6.120C, 6.130C, 6.140C,<br>125C TIER 4F, 135C TIER 4F, 145C TIER 4F,<br>7-145, 7-160, 7-165, 7-175, 7-180, 7-185, 7-<br>190, 7-195, 7-200, 7-205, 7-210, 7-215, 7-<br>220, 7-230, 7-235, LANDFORCE 115, 125,<br>LANDPOWER 125, 135, 145, 165, 180, 185,<br>LEGEND 125, 135, 145, 165, 185 |
| Rotation: Clockwise  |   |
|  |   |

|  |  |
|--|--|
| <b>KR-STA2167283</b>   |  |
| Voltage: 12V   | <b>OEM:</b> 1680065M3, 26264, 26365,<br>3539389M91, 3542184M92, 3546390M91,<br>3650746M91, AZJ3148, AZJ3248, AZJ3315   |
| Motor Power: 2.0 kW  |  |
| No. of Teeth: 10   | <b>Suitable for:</b><br>60V, 65V, 4530, 5500, 5530, 5560, 5830,<br>5840, 5860, 5865, 5870, 6030, 6040,<br>6060, 6070, 6860, 7860, 8860,<br>ADVANTAGE 55, 60, BLIZZARD 50, 60,<br>C4500, C4830, C5500, C5830, CF4830,<br>CF5030, CF5830, CF6030, CF6060,<br>CF6830, GLOBUS 50, 55, REX 60, 65, REX<br>CAB 60V, 65V, VIGNETI CAB 55V, 60V,<br>VIGNETI FOOT STEP 55V, 60V |
| Rotation: Clockwise  |  |
|  |  |

|  |   |
|--|---|
| <b>KR-STA2167297</b>   |   |
| Voltage: 12V   | <b>OEM:</b> 113532, AZJ3284                   |
| Motor Power: 3.0 kW  |   |
| No. of Teeth: 10   | <b>Suitable for:</b><br>7070-7080, 9098-90105 |
| Rotation: Clockwise  |   |
|  |   |

|  |  |
|--|--|
| <b>KR-STA2167301</b>   |  |
| Voltage: 12V   | <b>OEM:</b> 11131315, 1482841M92, AZE4214,<br>191068M94, 3667037M91, 4270745M2   |
| Motor Power: 3.2 kW  |  |
| No. of Teeth: 10   | <b>Suitable for:</b><br>100, 100H, 105, 10/110, 110, 110H, 115, 5-<br>H100H, 5-H110H, 60 TIER 2, 70 TIER 2, 75<br>TIER 2, 80 TIER 2, 85 TIER 2, 90 TIER 2, 95<br>TIER 2, 5865, 6865, 7860, 7865, 8860,<br>8865, ATLAS 70, 80, 85, 90, GHIBLI 80, 85,<br>90, 95, 105, GLOBALFARM 90, 95, 100, 105,<br>GLOBUS 65, 75, 80, MYTHOS 90, 100,<br>POWERFARM 75, 85, 95, 105, REX 70, 80,<br>90, 100, TECHNO TIER 2 60, 70, 75, 80, 85,<br>95, 105, TECHNO TIER 3 80, 90, 100, 105 |
| Rotation: Clockwise  |  |
|  |  |

|  |  |
|--|--|
| <b>KR-STA2167306</b>   |  |
| Voltage: 12V   | <b>OEM:</b> 3539390M91, AZJ3525  |
| Motor Power: 3.0 kW  |  |
| No. of Teeth: 11   | <b>Suitable for:</b><br>6530, 6550, 6560, 6830, 6860, 6870, 6880,<br>7530, 7560, 7830, 7860, 7870, 7880, 8530,<br>8550, 8560, 8830, 8860, 8870, 8880,<br>9060, 9080, 9500, 9880, 10000, 12500,<br>13000, 14500, ADVANTAGE 65, 75, 85, 95,<br>ATLAS 70, 75, 80, 85, 90, BLIZZARD 65,<br>75, 85, 95, GHIBLI 80, 90, 100, GLOBUS 65,<br>75, 80, MYTHOS 90, 100, 110, REX 70, 80,<br>90, 100, VISION 80, 90, 100 |
| Rotation: Clockwise  |  |
|  |  |

|  |  |
|--|--|
| <b>KR-VPF1600</b>  | <b>Brush Set</b>   |
|  | <b>OEM:</b> 1024034M91                                     |
|  | <b>Suitable for:</b><br>5500, 5840, 6500, 7500, 8500, 9500 |

# Lidner

## KR-STA1207GP

Voltage: 12V

Motor Power: 2.8 kW

No. of Teeth: 10

Rotation: Clockwise

OEM:

Suitable for:  
GEOTRAC 50, 65



## KR-STA2167283

Voltage: 12V

Motor Power: 2.0 kW

No. of Teeth: 10

Rotation: Clockwise

OEM: AZJ3148, AZJ3248, AZJ3315

Suitable for:  
1450



# Ljungby

## KR-STA2167289

Voltage: 12V

OEM: AZJ3118

Motor Power: 3.0 kW

No. of Teeth: 9


Suitable for:

Rotation: Clockwise

Wheel Loaders L12



# Massey Ferguson

| KR-STA1207GP   |  |
|--|--|
| Voltage: 12V   | OEM:   |
| Motor Power: 2.8 kW  |  |
| No. of Teeth: 10   | Suitable for:<br>308, 3095, 3115, 3120, 3125, 3635,<br>3645, 3655, 3670, 3680, 3690, 6110,<br>6120, 6130, 6140, 6150, 6160, 6170,<br>6180, 6190, 6260, 6270, 6280, 6290,<br>8110, 8120, 8130, 8140, 8150, 8160 |
| Rotation: Clockwise  |  |
|  |  |

| KR-STA2167282  |                                |
|--|--------------------------------|
| Voltage: 12V   | OEM: AZE4255, AZJ3204, AZJ3347 |
| Motor Power: 3.2 kW  |                                |
| No. of Teeth: 11   | Suitable for:<br>35, FE35      |
| Rotation: Clockwise  |                                |
|  |                                |

| KR-STA2167283  |   |
|--|---|
| Voltage: 12V   | OEM: 1680065M3, 26264, 26365,<br>3539389M91, 3542184M92,<br>3546390M91, 3650746M91, AZJ3148,<br>AZJ3248, AZJ3315  |
| Motor Power: 2.0 kW  |   |
| No. of Teeth: 10   | Suitable for:<br>65, 133, 135, 148, 152, 154, 155, 158, 164,<br>165, 174, 185, 194, 230, 240, 245, 250,<br>253, 254, 263, 350, 352, 353, 354, 355,<br>360, 363, 364, 550, 560, 4215, 4220 |
| Rotation: Clockwise  |   |
|  |   |


| KR-STA2167301  |  |
|--|--|
| Voltage: 12V   | OEM: 11131315, 1482841M92,<br>191068M94, 3667037M91,<br>4270745M2, AZE4214 |
| Motor Power: 3.2 kW  |  |
| No. of Teeth: 10   | Suitable for:<br>3425, 3435, 3445, 3455, 5335, 5340,<br>5355               |
| Rotation: Clockwise  |  |
|  |  |


| KR-STA2167302  |   |
|--|---|
| Voltage: 12V   | OEM: 067916T1, 2834390M91,<br>296194600, 3821818M94,<br>6306847M91, AZF4545   |
| Motor Power: 4.2 kW  |   |
| No. of Teeth: 10   | Suitable for:<br>275, 290, 294, 435XTRA, 1200, 3435,<br>3445, 3455, 4225, 4235, 4240, 4245,<br>4255, 4260, 4265, 4270, 4320, 4325,<br>4335, 4345, 4355, 4360, 4365, 4370,<br>5365, 5425, 5435, 5445, 5455, 5460,<br>6235, 6245, 6255, 6265, 6445, 6455,<br>6460, 6470 |
| Rotation: Clockwise  |   |
|  |   |


| KR-STA2167305  |  |
|--|--|
| Voltage: 12V   | OEM: 569018D1, V836873457,<br>AZF4190  |
| Motor Power: 4.2 kW  |  |
| No. of Teeth: 11   | Suitable for:<br>Combine Harvesters 7244, 7280,<br>7282, 7340, 7344, 7345S, 7347S,<br>7360, 7370, 7380, 7382, 9280,<br>9380, 9695, 9795, 9895, 9895, T7<br>SUPER,<br>Tractors 6460, 6470, 6485, 6490,<br>6495, 6497, 7485, 7490, 7495,<br>8650, 8660, 8670, 8680, 8690 |
| Rotation: Clockwise  |  |
|  |  |

| KR-STA2167306  |   |
|--|---|
| Voltage: 12V   | OEM: 3539390M91, AZJ3525  |
| Motor Power: 3.0 kW  |   |
| No. of Teeth: 11   | Suitable for:<br>374, 384, 394, 1007, 1114, 1134, 8170,<br>8180, 8270, 8280 |
| Rotation: Clockwise  |   |
|  |   |

| KR-STA26171651   |                            |
|--|----------------------------|
| Voltage: 12V   | OEM:                       |
| Motor Power: 3.2 kW  |                            |
| No. of Teeth: 10   | Suitable for:<br>430, 6460 |
| Rotation: Clockwise  |                            |
|  |                            |

|  |  |
|--|--|
| <b>KR-STA26171671</b>  |  |
| Voltage: 12V   | OEM: 3581576M3   |
| Motor Power: 2.8 kW  |  |
| No. of Teeth: 10   | Suitable for:  |
| Rotation: Clockwise  | 1200, 3085, 3095, 3115, 3120, 3125, 3140, 3635, 3645, 3655, 3660, 3670, 3680, 3690, 6160, 6170, 6180, 6190, 6260, 6270, 6280, 6290, 6485, 6490, 6495, 6497, 6499, 7485, 7490, 7495, 8110, 8120, 8130, 8140, 8150, 8160, 8170, 8180, 8210, 8220, 8240, 8250, 8260, 8270, 8280 |
|  |  |


|  |   |
|--|---|
| <b>KR-STA26171681</b>  |   |
| Voltage: 12V   | OEM: VPF2019  |
| Motor Power: 3.0 kW  |   |
| No. of Teeth: 10   | Suitable for:   |
| Rotation: Clockwise  | 1200, 3085, 3095, 3115, 3120, 3120T, 3125, 3140, 3635, 3645, 3655, 3660, 3670, 3680, 3690, 6160, 6170, 6180, 6190, 6260, 6270, 6280, 6290, 6485, 6490, 6495, 6497, 6499, 7485, 7490, 7495, 8110, 8120, 8130, 8140, 8150, 8160, 8170, 8180, 8210, 8220, 8240, 8250, 8260, 8270, 8280 |
|  |   |

|  |  |
|--|--|
| <b>KR-STA26171741</b>  |  |
| Voltage: 12V   | OEM:   |
| Motor Power: 4.2 kW  |  |
| No. of Teeth: 10   | Suitable for:  |
| Rotation: Clockwise  | 50, 60, 155, 158, 165, 168, 175, 178, 185, 188, 240, 265, 275, 290, 298, 307, 362, 365, 372, 375, 382, 390, 396, 398, 399, 440, 481, 492, 506, 507, 520, 525, 565, 575, 590, 595, 675, 690, 698, 699, 1004, 1014, 1080, 1114, 1134, 1200, 3050, 3060, 3065, 3070, 3075, 4215, 4220, 4225, 4235, 4245, 4255, 4260, 4265, 4270, 4325, 4335, 4345, 4355, 4360, 4365, 4370, 5425, 5435, 5445, 5455, 5460, 6110, 6120, 6130, 6140, 6150, 6235, 6245, 6255, 6265, 6445, 6455, 6460, 6470 |
|  |  |


|  |  |
|--|--|
| <b>KR-IS0897</b>   |  |
| Voltage: 12V   | OEM: AZJ3405, D45070088  |
| Motor Power: 3.0 kW  |  |
| No. of Teeth: 10   | Suitable for:  |
| Rotation: Clockwise  | Combine Harvesters 7250, 7252, 7254, 7256, 7272, 7274, 7276, 7278, Tractors 3060, 3065, 814,0 8150, 8160, 8250, 8280 |
|  |  |

|  |   |
|--|---|
| <b>KR-VPF1600</b>  |   |
| <b>Brush Set</b>   |   |
|  | OEM: 1024034M91   |
|  | Suitable for:<br>35, 40, 50, 65, 135, 148, 155, 158, 165, 168, 175, 178, 185, 188, 254, 765, FE35 |

# McCormick

| KR-STA21672186   |                          |
|--|--------------------------|
| Voltage: 12V   | OEM: 323319A1, AZF4251   |
| Motor Power: 4.2 kW  |                          |
| No. of Teeth: 10   | Suitable for:            |
| Rotation: Clockwise  | T70, T80, TTX190, XTX145 |
|  |                          |

| KR-STA21672190   |   |
|--|---|
| Voltage: 12V   | OEM:  |
| Motor Power: 3.0 kW  |   |
| No. of Teeth: 10   | Suitable for:   |
| Rotation: Clockwise  | CX70, 80, 90, 100, MC80, 90, 100, 115, MTX110, 155, 175, T70, T80, XTX145 |
|  |   |

| KR-STA2167261  |  |
|--|--|
| Voltage: 12V   | OEM: 3670185M92, 3691576M91, AZF4122   |
| Motor Power: 4.2 kW  |  |
| No. of Teeth: 10   | Suitable for:  |
| Rotation: Clockwise  | CX90, 100, 105, 110, G-MAX 125, 135, 145, 165, 180, MC120, 135, MTX120, 135, 150, TTX190, 210, 230, X6.420, X6.430, X6.440, X6.460, X6.470, X6.480, X7.440, X7.450, X7.460 |
|  |  |


| KR-STA2167283  |   |
|--|---|
| Voltage: 12V   | OEM: 1680065M3, 3539389M91, 3542184M92, 3546390M91, 3650746M91, AZJ3148, AZJ3248, AZJ3315 |
| Motor Power: 2.0 kW  |   |
| No. of Teeth: 10   | Suitable for:   |
| Rotation: Clockwise  | V60, V65,   |
|  |   |

| KR-STA2167297  |                       |
|--|-----------------------|
| Voltage: 12V   | OEM: 113532, AZJ3284  |
| Motor Power: 3.0 kW  |                       |
| No. of Teeth: 10   | Suitable for:         |
| Rotation: Clockwise  | 7070-7080, 9098-90105 |
|  |                       |

| KR-STA2167301  |  |
|--|--|
| Voltage: 12V   | OEM: 11131315, 1482841M92, 191068M94, 3667037M91, 4270745M2, AZE4214   |
| Motor Power: 3.2 kW  |  |
| No. of Teeth: 10   | Suitable for:  |
| Rotation: Clockwise  | B-MAX 90, 95, 100, 105, C60L, C70L, C75L, C80L, C85L, C-MAX 75, 80, 85, 90, 95, 100, 105, 110, CX90, 100, 105, 110, F60, 65, 70, 75, 80, 85, 90, 95, 100, 105, 110, MC95, 105, 110, 115, T75, 80, 85, 90, 95, 100, 105, 110, V75, V80, V85 |
|  |  |


| KR-STA2167302  |                        |
|--|------------------------|
| Voltage: 12V   | OEM: 700336A1, AZF4545 |
| Motor Power: 4.2 kW  |                        |
| No. of Teeth: 10   | Suitable for:          |
| Rotation: Clockwise  | MC120, 135             |
|  |                        |

| KR-STA2167306  |                          |
|--|--------------------------|
| Voltage: 12V   | OEM: 3539390M91, AZF3525 |
| Motor Power: 3.0 kW  |                          |
| No. of Teeth: 11   | Suitable for:            |
| Rotation: Clockwise  | V70, V80                 |
|  |                          |

|  |   |
|--|---|
| <b>KR-STA26171741</b>  |   |
| Voltage: 12V   | OEM:  |
| Motor Power: 4.2 kW  |   |
| No. of Teeth: 10   | Suitable for:<br>MC80, 90, 100, MTX110, 125, 140, 155,<br>175 |
| Rotation: Clockwise  |   |
|  |   |



# Mercedes Benz

|  |   |
|--|---|
| <b>KR-STA2167289</b>   |   |
| Voltage: 12V   | OEM: AZJ3118  |
| Motor Power: 3.0 kW  |   |
| No. of Teeth: 9  | <b>Suitable for:</b>  |
| Rotation: Clockwise  | MB-TRAC 65, 70, 700, 800, 900,<br>1000, 1100, 1300, 1400, 1500, 1600,<br>1800, UNIMOG U54, 66, 72, 80, 84,<br>90, 95, 100, 110, 120, 125, 140, 900,<br>1000, 1200, 1250, 1300, 1350, 1400,<br>1450, 1500, 1550, 1600, 1650, 1700,<br>1750, 2100, 2150 |
|  |   |

# Merlo

KR-STA26171671

Voltage: 12V

Motor Power: 2.8 kW

No. of Teeth: 10

Rotation: Clockwise


OEM:


Suitable for:

Various Merlos with Perkins 1004-4 / 1004-4T engines




# New Holland


| KR-STA1301GP   |   |
|--|---|
| Voltage: 12V   | OEM:  |
| Motor Power: 3.0 kW  |   |
| No. of Teeth: 10   |   |
| Rotation: Clockwise  |   |
|  | Suitable for:<br>3930, 5640, 6640, 7740, 7840, 8160, 8240, 8260, 8340, 8360, 8560, M100, 115, 135, 160, TS80, 90, 100, 110, 115 |

| KR-STA21672186   |   |
|--|---|
| Voltage: 12V   | OEM: 323319A1, AZF4251  |
| Motor Power: 4.2 kW  |   |
| No. of Teeth: 10   |   |
| Rotation: Clockwise  |   |
|  | Suitable for:<br>T4.75, T4.85, T4.95, T4.105, T4020, 4030, 4040, 4050, 4060, T5.95, T5.100, T5.105, T5.110, T5.115, T5.120, T5030, 5040, 5050, 5060, 5070, T6.120, T6.140, T6.150, T6.160, T6.175, T7.170, T7.220, T7.260, T7.270, T9040, TD5.65, TD5.75, TD5.85, TD5.95, TD5.105, TD5.115, TD5040, 5050, TK4020, 4030, 4040, 4050, 4060, TL70A, 80A, 90A, 100A, TN85A, 95A, TS100, TS6.120 |

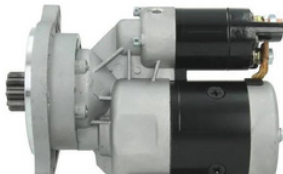
| KR-STA21672198   |   |
|--|---|
| Voltage: 12V   | OEM: 323019050  |
| Motor Power: 3.0 kW  |   |
| No. of Teeth: 9  |   |
| Rotation: Clockwise  |   |
|  | Suitable for:<br>T6.120, T6.140, T6.150, T6.160, T6.175, T7.170, T7.220, T7.260, T7.270, TD5.105, TK4050, 4060, TS6.120 |


| KR-STA2167256  |   |
|--|---|
| Voltage: 12V   | OEM: 4739353, 500333269, AZJ3538  |
| Motor Power: 2.7 kW  |   |
| No. of Teeth: 9  |   |
| Rotation: Clockwise  |   |
|  | Suitable for:<br>4635, 4835, 5635, 6635, 7635, L60, TD55D, 60D, 65D, 70D, 75D, 80D, 85D, 90D, 95D, TN55, 60, 65, 70, 75, 85, 95 |


| KR-STA2167257  |   |
|--|---|
| Voltage: 12V   | OEM: 83949348, 9142765, LRS02129  |
| Motor Power: 2.8 kW  |   |
| No. of Teeth: 10   |   |
| Rotation: Clockwise  |   |
|  | Suitable for:<br>3930, 5640, 6640, 7740, 7840, 8160, 8240, 8260, 8340, 8360, 8560, M100, 115, 135, 160, TS80, 90, 100, 110, 115 |


| KR-STA2167258  |   |
|--|---|
| Voltage: 12V   | OEM: 87755550, AZF4539, AZJ3182   |
| Motor Power: 3.0 kW  |   |
| No. of Teeth: 10   |   |
| Rotation: Clockwise  |   |
|  | Suitable for:<br>Combine Harvester TC52, TC54, TC56,<br>Tractors 3930, 5640, 6640, 7740, 7840, 8160, 8240, 8260, 8340, 8360, 8560, M100, 115, 135, 160, TM115, 120, 125, 130, 135, 140, 150, 155, 165, 175, 190, TS80, 90, 100, 115 |


| KR-STA2167261  |   |
|--|---|
| Voltage: 12V   | OEM: 84151331, AZF4122  |
| Motor Power: 4.2 kW  |   |
| No. of Teeth: 10   |   |
| Rotation: Clockwise  |   |
|  | Suitable for:<br>T6.120, T6.140, T6.150, T6.155, T6.160, T6.165, T6.175, T6010, 6020, 6030, 6040, 6050, 6060, 6070, 6080, 6090, 6095, T7.170, T7.175, T7.185, T7.190, T7.200, T7.210, T7.220, T7.225, T7.230, T7.235, T7.245, T7.250, T7.260, T7.270, T7030, 7040, 7050, 7060, TS100A, 110A, 115A, 125A, 130A, 135A |


| KR-STA2167304  |  |
|--|--|
| Voltage: 12V   | OEM: 5142733, 9142680, AZJ3115                               |
| Motor Power: 2.7 kW  |  |
| No. of Teeth: 9  |  |
| Rotation: Clockwise  |  |
|  | Suitable for:<br>Telehandlers LM410, 420, 425, 430, 630, 640 |


| KR-STA2167305  |   |
|--|---|
| Voltage: 12V   | OEM: 162000090722, 84284540, AZF4190  |
| Motor Power: 4.2 kW  |   |
| No. of Teeth: 11   | Suitable for:<br>T7510, 7520, 7530, 7540, 7550, TVT135, 145, 155, 170, 190, 195 |
| Rotation: Clockwise  |   |
|  |   |

| KR-STA2167311  |   |
|--|---|
| Voltage: 12V   | OEM: AZJ3201  |
| Motor Power: 3.1 kW  |   |
| No. of Teeth: 10   | Suitable for:<br>Combine Harvester TC52, TC54, TC56,<br>Tractors 3930, 5640, 6640, 7740, 7840, 8160, 8240, 8260, 8340, 8360, 8560, M100, 115, 135, 160, TB90, 100, 110, 120, TM115, 120, 125, 130, 135, 140, 150, 155, 165, 175, 190, TS80, 90, 100, 110, 115 |
| Rotation: Clockwise  |   |
|  |   |

| KR-STA2167312  |                               |
|--|-------------------------------|
| Voltage: 12V   | OEM: AZJ3237, AZJ3299, IS0862 |
| Motor Power: 3.0 kW  |                               |
| No. of Teeth: 9  | Suitable for:<br>8830         |
| Rotation: Clockwise  |                               |
|  |                               |

| KR-STA26171751   |  |
|--|--|
| Voltage: 12V   | OEM:   |
| Motor Power: 3.0 kW  |  |
| No. of Teeth: 9  | Suitable for:<br>3830, 4430, 4835, 5635, 6635, 7635, L60, 65, 75, 85, 95, TD75D, 80D, 90D, 95D, TK65, 70, 75, 76, 80, 85, 90, 100, TL65, 70, 80, 90, 100, TN65, 70, 75, 80, 85, 90, 95, TT55, 65 |
| Rotation: Clockwise  |  |
|  |  |

| KR-IS0403  |  |
|--|--|
| Voltage: 12V   | OEM: AZJ3110, 4699705, 4737755, 4755109, 504059251   |
| Motor Power: 3.0 kW  |  |
| No. of Teeth: 9  | Suitable for:<br>Telehandlers LM410, 420, 425, 430, 630, 640,<br>Tractors 4835, 5635, 6635, L60, 65, 75, 85, TD75D, 80D, 85D, 90D, 95D, TL70, 80, 90, 100, TN65F, 70F, 75F, 80F, 85F, 90F, 95F |
| Rotation: Clockwise  |  |
|  |  |

| KR-VPF2024   |  |
|--|--|
| Voltage: 12V   | OEM: 4807375   |
| Motor Power: 3.0 kW  |  |
| No. of Teeth: 9  | Suitable for:<br>4635, 4835, 5635, 6635, 7635, L65, 75, 85, 95, TD60, 70, 80, 90, 95, TD55D, 60D, 65D, 70D, 75D, 80D, 85D, 90D, 95D, TL65, 70, 80, 90, 100, TN55, 60, 65, 70, 75 |
| Rotation: Clockwise  |  |
|  |  |

# Renault

## KR-STA1213GP

Voltage: 12V

Motor Power: 2.7 kW

No. of Teeth: 9

Rotation: Clockwise

OEM:

Suitable for:  
Info



## KR-STA1216GP

Voltage: 12V

Motor Power: 3.0 kW

No. of Teeth: 9

Rotation: Clockwise

OEM:

Suitable for:  
Info



## KR-STA2167265

Voltage: 12V

Motor Power: 3.0 kW

No. of Teeth: 10

Rotation: Clockwise

OEM: 6005012976, AZJ3158,  
AZJ3181, AZJ3283

Suitable for:  
Info



## KR-STA2167270

Voltage: 12V

Motor Power: 3.6 kW

No. of Teeth: 10

Rotation: Clockwise

OEM: AZJ3261

Suitable for:  
Info



## KR-STA2167296

Voltage: 12V

Motor Power: 3.1 kW

No. of Teeth: 9

Rotation: Clockwise

OEM: 7700026780, AZJ3244

Suitable for:  
Info



## KR-STA2167297

Voltage: 12V

Motor Power: 3.0 kW

No. of Teeth: 10


Rotation: Clockwise

OEM: 0011230230, 11131167,  
AZJ3284


Suitable for:  
Info




# SAME

| KR-STA1222GP   |  |
|--|--|
| Voltage: 12V   | OEM:   |
| Motor Power: 3.0 kW  |  |
| No. of Teeth: 9  | <b>Suitable for:</b><br>ANTARES 100, 110, 130, ANTARES II 110, 130, DORADO 70, 76, 86, F75, F90, F100, S75, S90, S100, V75, V90, V100, EXPLORER 75, 85, 95, EXPLORER I 55, 65, 70, 75, 80, 90, EXPLORER II 70, 80, 90, FRUTTETO I 75, FRUTTETO II 75, 85, 90, 100, GALAXY 170, GOLDEN 75, 85, HERCULES 160, LASER 85, 90, 100, 110, 130, 150, ROCK 70, RUBIN 120, 135, 150, 160, 180, 200, SILVER 80, 85, 90, 95, 100.4, 100.6, 105, 110, 115, 130, SUPERTITAN, TIGER SIX 105, TITAN 145, 150, 160, 165, 190, TRIDENT 130, VIGNERON 75 |
| Rotation: Clockwise  |  |
|  |  |


| KR-STA21672187   |  |
|--|--|
| Voltage: 12V   | OEM: 296190300, 2.9619.030.0, AZJ3149  |
| Motor Power: 2.4 kW  |  |
| No. of Teeth: 11   | <b>Suitable for:</b><br>ARGON 50, 55, 60, 65, 70, 75, ASTER 60, 70, AURORA 45, CENTAURO 60, CONDOR 55, CONDOR C, CORSARO 70, DELFINO 32, 35, DORADO 55, 56, 60, 65, 66, 75, 85, F55, F70, S70, V70, DRAGO 120, EXPLORER 55, 60, EXPLORER II 60, FALCON 50, FOX 35, 45, 55, FRUTTETO I 60, FRUTTETO II 55, 60, 70, 75, FRUTTETO3 60, GOLDEN 60, 65, JAGUAR 95, LEONE 70, 75, LEOPARD 85, MINITAURO 60C, MINITAUROS 60, PANTHER 95, RANGER 45, ROCK 55, 60, SATURNO 80, SIRENETTA, SOLAR 50, 55C, 60, TAURUS 60, VIGNERON 35, 45, 50, 62 |
| Rotation: Clockwise  |  |
|  |  |

| KR-STA2167276  |   |
|--|---|
| Voltage: 12V   | OEM: AZJ3537  |
| Motor Power: 3.0 kW  |   |
| No. of Teeth: 11   | <b>Suitable for:</b><br>BUFFALO 130, CENTAURO 70, CENTURION 75, CONDOR 55, CORSARO 70, DRAGO 120, FALCON 50, JAGUAR 95, 100, LASER 90, 100, 110, 130, 150, LEOPARD 85, 90, MERCURY 85, MINITUARUS 60, PANTHER 90, 95, RANGER 45, SATURNO 80, SOLAR 60, TUARUS 60, TIGER 100, TIGER SIX 105, VIGNERON 60, 70 |
| Rotation: Clockwise  |   |
|  |   |


# Schaeff


|  |   |
|--|---|
| <b>KR-STAI207GP</b>  |   |
| Voltage: 12 V  | <b>OEM:</b>   |
| Motor Power: 2.8 kW  |   |
| No. of Teeth: 10   | <b>Suitable for:</b><br>Mini Excavators HR30, HR30A,<br>Wheel Loaders SKB900, SKB902,<br>SKB1000, SKL835, SKL840A,<br>SKL841, SKL861, SKS661,<br>Wheeled Excavators SMB2041 |
| Rotation: Clockwise  |   |
|  |   |




| KR-STA1207GP   |                                   |
|--|-----------------------------------|
| Voltage: 12V   | OEM:                              |
| Motor Power: 2.8 kW  |                                   |
| No. of Teeth: 10   | Suitable for:<br>9155, 9170, 9190 |
| Rotation: Clockwise  |                                   |
|  |                                   |

| KR-STA1213GP   |  |
|--|--|
| Voltage: 12V   | OEM:   |
| Motor Power: 3.0 kW  |  |
| No. of Teeth: 9  | Suitable for:<br>955, 964, 970, 9078, 9086, 9094,<br>M968, M975, M9078, M9083,<br>M9086, M9094 |
| Rotation: Clockwise  |  |
|  |  |


| KR-STA1216GP   |   |
|--|---|
| Voltage: 12V   | OEM:  |
| Motor Power: 3.0 kW  |   |
| No. of Teeth: 9  | Suitable for:<br>955, 964, 970, 9078, 9086, 9094,<br>M968, M975, M9078, M9086,<br>M9094 |
| Rotation: Clockwise  |   |
|  |   |


| KR-STA1222GP   |  |
|--|--|
| Voltage: 12V   | OEM:   |
| Motor Power: 3.0 kW  |  |
| No. of Teeth: 9  | Suitable for:<br>8055/A, 8060/A, 8065/A, 8070/A,<br>8075/A, 8100, 8110, 8120, 8130 |
| Rotation: Clockwise  |  |
|  |  |

| KR-STA21672186   |  |
|--|--|
| Voltage: 12V   | OEM: 323319A1, AZF4251   |
| Motor Power: 4.2 kW  |  |
| No. of Teeth:  | Suitable for:<br>485, 495, 4085, 4095, 4105, 4110,<br>4115, 4120, 4130, 6125, 6140, 6150,<br>6165, 6170, 6175, 6185, 6200, 6205,<br>6215, 6220, 6240 |
| Rotation: Clockwise  |  |
|  |  |

| KR-STA2167256  |                                     |
|--|-------------------------------------|
| Voltage: 12V   | OEM: 4739353, 500333269,<br>AZJ3538 |
| Motor Power: 2.7 kW  |                                     |
| No. of Teeth: 9  | Suitable for:<br>360, 370, 375      |
| Rotation: Clockwise  |                                     |
|  |                                     |

| KR-STA2167261  |  |
|--|--|
| Voltage: 12V   | OEM: 84151331, AZF4122   |
| Motor Power: 4.2 kW  |  |
| No. of Teeth: 10   | Suitable for:<br>4100, 4110, 4115, 4120, 4130, 6115,<br>6125, 6135, 6140, 6145, 6150, 6165,<br>6170, 6175, 6180, 6185, 6200, 6205,<br>6210, 6215, 6220, 6225, 6240 |
| Rotation: Clockwise  |  |
|  |  |

| KR-STA2167276  |                                |
|--|--------------------------------|
| Voltage: 12V   | OEM: AZJ3537                   |
| Motor Power: 3.0 kW  |                                |
| No. of Teeth: 11   | Suitable for:<br>650, 658, 760 |
| Rotation: Clockwise  |                                |
|  |                                |

|  |   |
|--|---|
| <b>KR-STA2167296</b>   |   |
| Voltage: 12V   | OEM: 7700026780, AZJ3244  |
| Motor Power: 3.1 kW  |   |
| No. of Teeth: 9  | Suitable for:<br>955, 964, 970, 9078, 9086, 9094,<br>M968, M975, M9078, M9086,<br>M9094 |
| Rotation: Clockwise  |   |
|  |   |

|  |  |
|--|--|
| <b>KR-STA2167305</b>   |  |
| Voltage: 12V   | OEM: 162000090722, 84284540,<br>AZF4190  |
| Motor Power: 4.2 kW  |  |
| No. of Teeth: 11   | Suitable for:<br>6130, 6135, 6140, 6145, 6150, 6155,<br>6160, 6170, 6175, 6190, 6195 |
| Rotation: Clockwise  |  |
|  |  |


|  |  |
|--|--|
| <b>KR-IS0897</b>   |  |
| Voltage: 12 V  | OEM: 132000090705,<br>142000090700, AZJ3405  |
| Motor Power: 3.0 kW  |  |
| No. of Teeth: 10   | Suitable for:<br>9080, 9085, 9090, 9095, 9100, 9105,<br>9115, 9125, 9145, 9155, 9170, 9190,<br>CVT120, 130, 150, 170, M968, M975,<br>M9078, M9086, M9094 |
| Rotation: Clockwise  |  |
|  |  |

# Valpadana

| KR-STA2167297  |                       |
|--|-----------------------|
| Voltage: 12V   | OEM: 113532, AZJ3284  |
| Motor Power: 3.0 kW  |                       |
| No. of Teeth: 10   | Suitable for:         |
| Rotation: Clockwise  | 7070-7080, 9098-90105 |
|  |                       |

| KR-STA2167301  |  |
|--|--|
| Voltage: 12V   | OEM: 11131315, 1482841M92, 191068M94, 3667037M91, 4270745M2, AZE4214   |
| Motor Power: 3.2 kW  |  |
| No. of Teeth: 10   | Suitable for:  |
| Rotation: Clockwise  | EUROPA 3460, 3470, 3475, 3480, TECHNO TIER 2 3660, 3670, 3675, 3680, 3685, 3695, 36105, TECHNO TIER 3 3680, 3690, 36100, 36105, TOP RESTYLING 3680, 3685, 3690, 36100, 36110 |
|  |  |


# Valtra-Valmet

| KR-STA2167305  |  |
|--|--|
| Voltage: 12V   | OEM: 11130836, V836873457, AZF4190   |
| Motor Power: 4.2 kW  |  |
| No. of Teeth: 11   | Suitable for:<br>N103.4, 104, 113, 114, 123, 124, 134, 143, 154, 163, 174, S230, 240, 260, 280, T120, 121, 130, 131, 132, 133, 140, 144, 150, 151, 152, 153, 154, 160, 161, 162, 163, 170, 171, 172, 173, 174, 180, 182, 183, 190, 191, 193, 194, 202, 203, 213, 214, 234, 254 |
| Rotation: Clockwise  |  |
|  |  |

| KR-STA2167306  |  |
|--|--|
| Voltage: 12V   | OEM: 835331592, 9142722, 9142741, AZJ3525                              |
| Motor Power: 3.0 kW  |  |
| No. of Teeth: 11   | Suitable for:<br>505, 600, 605, 700, 705, 755, 800, 805, 855, 900, 905 |
| Rotation: Clockwise  |  |
|  |  |

| KR-IS0897  |  |
|--|--|
| Voltage: 12V   | OEM: AZJ3405, D45070088  |
| Motor Power: 3.0 kW  |  |
| No. of Teeth: 10   | Suitable for:<br>205, 255, 305, 315, 355, 365, 405, 415, 455, 465, 555, 565, 600, 665, 700, 800, 865, 900, 6000, 6100, 6200, 6250, 6300, 6350, 6400, 6550, 6600, 6650, 6750, 6800, 6850, 6900, 8000, 8050, 8100, 8150, 8200, 8350, 8400, 8450, 8550, 8750, 8950, A65, 75, 85, 95, C100, M120, 130, 150, S230, 260, T120, 130, 140, 150, 160, 170, 180, 190, X100, 110, 120, XM130, 150 |
| Rotation: Clockwise  |  |
|  |  |

# Zetor

|  |  |
|--|--|
| <b>KR-STA2167306</b>   |  |
| Voltage: 12V   | OEM: 69185771, AZJ3525   |
| Motor Power: 3.0 kW  |  |
| No. of Teeth: 11   | <b>Suitable for:</b>   |
| Rotation: Clockwise  | 2011, 2511, 3011, 3320, 3321, 3340, 3341, 3511, 3513, 3545, 4011, 4320, 4321, 4340, 4341, 4511, 4611, 4712, 4718, 4911, 5011, 5211, 5245, 5320, 5321, 5340, 5341, 5511, 5711, 5718, 5745, 5748, 5911, 5945, 6011, 6045, 6211, 6245, 6320, 6321, 6340, 6341, 6711, 6718, 6745, 6748, 6911, 6945, 7011, 7045, 7211, 7245, 7320T, 7321T, 7340T, 7341T, 7711, 7711T, 7745, 7745T |
|  |  |

