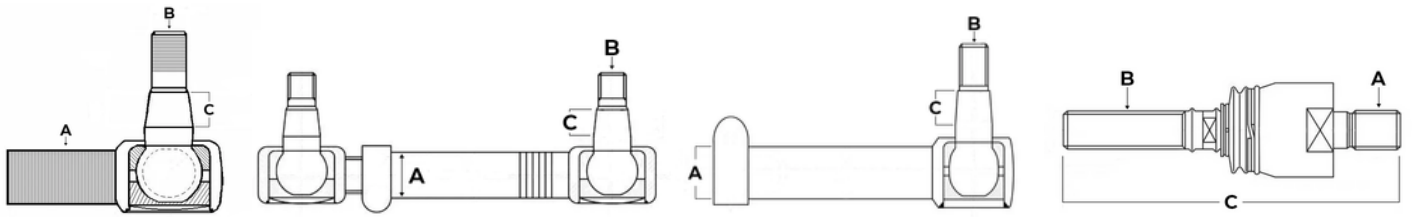


Tie Rods & Steering Componentry




CONTENTS


Carraro	3
Case-IH	7
Claas	16
David Brown	19
Deutz-Fahr	20
Fendt	25
Fiat	28
Ford	34
Hurlimann	43
John Deere	44
Lamborghini	52
Landini	53
Massey Ferguson	54
McCormick	60
Merlo	62
New Holland	63
Renault	69
SAME	71
Steyr	72
Ursus	74
Valtra-Valmet	75
Volvo	77
Zetor	78
ZF	79
Rubber Boots	82
Accessories	84
Seal Kits	86



KR-CI048989	Tie Rod End
	OEM: 048989
	A: M18 x 1.5
	B: M18 x 1.5
	C: 20 - 22mm

KR-CI149507	Steering Arm
	OEM: 149507
	A:
	B:
	C:

KR-CI350878	Axial Ball End
	OEM: 350878
	A: M20 x 1.5
	B: M24 x 1.5
	C: 210mm


KR-CI350954	Tie Rod End
	OEM: 350954, 351473, 351474
	A: M24 x 1.5
	B: M20 x 1.5
	C: 24 - 26mm

KR-CI351504	Axial Ball End
	OEM: 351504
	A: M22 x 1.5
	B: M24 x 1.5
	C: 210mm

KR-CI352569	Title
	OEM: 352569
	A: M24 x 1.5
	B: M20 x 1.5
	C: 23 - 25mm


KR-SHP010KR	Tie Rod
	OEM: 350353
	A: 7/8" - 16tpi
	B: M14 x 1.5
	C: 15.5 - 17.95mm


KR-SHP076KR	Axial Ball End
	OEM: 350400
	A: M22 x 1.5
	B: M24 x 1.5
	C: 213mm
	20.19, 20.22S, 20.26,


KR-SHP135KR	Tie Rod End
	OEM: 048979, 049019
	A: M24 x 1.5
	B: M20 x 1.5
	C: 23.5 - 26.5mm

KR-SHP154KR	Axial Ball End
	OEM: 350450
	A: M20 x 1.5
	B: M18 x 1.5
	C: 182mm
	20.14


KR-SHP155KR	Tie Rod End
	OEM: 048982, 049007
	A: M18 x 1.5
	B: M18 x 1.5
	C: 19.9 - 22.25mm
	709-19

KR-SHP156KR	Tie Rod End
	OEM: 048983, 340034
	A: M18 x 1.5
	B: M18 x 1.5
	C: 19.9 - 22.25mm
	709-19


KR-SHP395KR	Tie Rod
	OEM: 131808
	A: M24 x 1.5
	B: M20 x 1.5
	C: 23.5 - 26.5mm

KR-SHP418KR	Track Rod
	OEM: 140316
	A: M18 x 1.5
	B: M18 x 1.5
	C: 19.9 - 22.25mm


KR-SHP492KR	Axial Ball End
	OEM:
	A: M20 x 1.5
	B: M18 x 1.5
	C: 177mm

KR-SHP495KR	Axial Ball End
	OEM:
	A: M22 x 1.5
	B: M27 x 1.5
	C: 180mm
	20.29SI, 20.43SI


KR-SHP496KR	Axial Ball End
	OEM: 351504
	A: M22 x 1.5
	B: M24 x 1.5
	C: 210mm
	20.26, 20.29S, 20.29SI, 20.43SI


KR-SHP497KR	Track Rod
	OEM: 139168
	A: M24 x 1.5
	B: M20 x 1.5
	C: 23.5 - 26.5mm
	20.29S, 20.29SI


KR-SHP498KR	Tie Rod End
	OEM: CI352569
	A: M24 x 1.5
	B: M20 x 1.5
	C: 23.5 - 26.5mm
	20.26


KR-SHP501KR	Tie Rod End
	OEM: 350001
	A: M18 x 1.5
	B: M18 x 1.5
	C: 20 - 22mm

KR-SHP503KR	Axial Ball End
	OEM: 351940
	A: M20 x 1.5
	B: M18 x 1.5
	C: 150mm


KR-SHP506KR	Tie Rod End
	OEM:
	A: M24 x 1.5
	B: M22 x 1.5
	C: 24.6 - 28.5mm


KR-SHP507KR	Tie Rod End
	OEM: 350962
	A: M18 x 1.5
	B: M18 x 1.5
	C: 19.9 - 22.25mm

KR-SHP508KR	Tie Rod End
	OEM: 352200
	A: M24 x 1.5
	B: M20 x 1.5
	C: 23.5 - 26.5mm
	20.29SI, 20.43SI

KR-SHP514KR	Tie Rod End
	OEM:
	A: M24 x 1.5
	B: M20 x 1.5
	C: 23.5 - 26.5mm
	20.25S

KR-SHP515KR	Tie Rod End
	OEM: 351939
	A: M18 x 1.5
	B: M18 x 1.5
	C: 19.9 - 22.25mm

KR-SHP516KR	Tie Rod End
	OEM: 352201
	A: M24 x 1.5
	B: M20 x 1.5
	C: 23.5 - 26.5mm
	20.29SI, 20.43SI

KR-SHP535KR	Tie Rod End
	OEM: 350438
	A: M18 x 1.5
	B: M18 x 1.5
	C: 19.9 - 22.25mm

KR-SHP536KR

Tie Rod End



OEM: 350957
A: M18 x 1.5
B: M18 x 1.5
C: 19.9 - 22.25mm

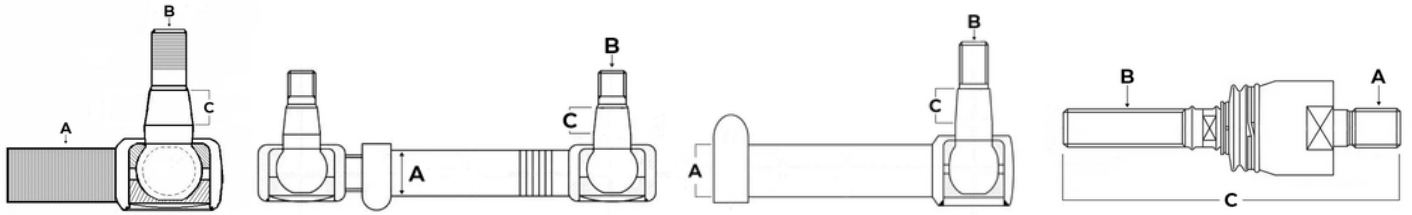
KR-SHP537KR

Tie Rod End



OEM: 352343
A: M24 x 1.5
B: M24 x 1.5
C: 27 - 30.5mm

Case-IH



KR-CI350954 Tie Rod End	
	OEM:
	A: M24 x 1.5
	B: M20 x 1.5
	C: 24 - 26mm
	CSI30

KR-SHP003KR Tie Rod End	
	OEM: 293624A1, 1277261C1, 435665A1
	A: 1" - 16tpi
	B: M22 x 1.5
	C: 24.7 - 28mm
	7110, 7120, 7130, 7140, 7210, 7210 Pro, 7220, 7220 Pro, 7230, 7230 Pro, 7240, 7240 Pro, 7250, 7250 Pro, MX180, MX200, MX220

KR-SHP010KR Tie Rod	
	OEM: 1538016C1
	A: 7/8" - 16tpi
	B: M14 x 1.5
	C: 15.5 - 17.95mm
	454, 474, 484, 485, 574, 584, 585, 595, 674, 684, 685, 695, 784, 785, 884, 885, 995, 2400, 2500, 3230, 4210, 4220, 4230

KR-SHP012KR Tie Rod End	
	OEM:
	A: M18 x 1.5
	B:
	C: 13.85 - 13.85mm
	523, 553, 624, 654, 724, 734, 824, 834

KR-SHP014KR Tie Rod End	
	OEM: 311169A2, 87776126
	A: 1-1/2" - 12tpi
	B: M22 x 1.5
	C: 28.1 - 33mm
	MX180, MX200, MX210, MX220, MX230, MX240, MX255, MX270, MX285

KR-SHP015KR Tie Rod End	
	OEM: 311170A2, 87776127
	A: 1-1/2" - 12tpi
	B: M22 x 1.5
	C: 28.1 - 33mm
	MX180, MX200, MX210, MX220, MX230, MX240, MX255, MX270, MX285

KR-SHP022KR Tie Rod	
	OEM: 3146035R92, 3146035R93
	A: M20 x 1.5
	B: M20 x 1.5
	C: 23.4 - 26.4mm
	485, 584, 585, 644, 684, 685, 743, 744, 745, 745S, 784, 785, 844, 844S, 844XL, 856, 884, 885


KR-SHP024KR Tie Rod End	
	OEM:
	A: 19mm
	B: M14 x 1.5
	C: 16.2 - 18.4mm
	433, 533, 633, 644, 744, 844, 844S

KR-SHP028KR	Tie Rod End
	OEM: 87714424, 3221271R91/2/3/4/5
	A: M24 x 1.5
	B: M24 x 1.5
	C: 27 - 30.2mm
	946, 955, 956, 1046, 1055, 1056, 1246


KR-SHP029KR	Tie Rod End
	OEM: 3221931R91
	A: M24 x 1.5
	B: M18 x 1.5
	C: 19.9 - 22.25mm
	533, 540, 633, 640, 733, 740, 833, 840, 940

KR-SHP032KR	Tie Rod End
	OEM:
	A: M24 x 1.5
	B: M16 x 1.5
	C: 18 - 20.25mm
	644, 743, 744, 745, 745S, 844, 844S, 844XL, 845, 856, 946, 955, 956, 1046, 1055, 1056, 1246


KR-SHP035KR	Tie Rod End
	OEM: 292562A, 435664A1, 292562A1, 87776221
	A: 1" - 16tpi
	B: M22 x 1.5
	C: 28.55 - 32.2mm
	MX180, MX200, MX210, MX220, MX230, MX240, MX255, MX270, MX285


KR-SHP037KR	Tie Rod End
	OEM: 87455742
	A: M38 x 1.5
	B: M22 x 1.5
	C: 28.1 - 33mm
	225, 250, 280, 310, MX180, MX200, MX210, MX220, MX230, MX240, MX255, MX270, MX285

KR-SHP076KR	Axial Ball End
	OEM: 041063R1, 247522A1
	A: M22 x 1.5
	B: M24 x 1.5
	C: 213mm
	MX100, MX110, MX120, MX135

KR-SHP081KR	Tie Rod End
	OEM: 3230364R1
	A: M24 x 1.5
	B: M20 x 1.5
	C: 23.4 - 26.4mm

KR-SHP093KR	Tie Rod End
	OEM:
	A: M20 x 1.0
	B: M14 x 1.5
	C: 16.2 - 18.4mm
	JX55, JX60, JX65, JX70, JX75, JX80, JX85, JX90, JX95, JX1060V, JX1070N/V, JX1075N/V, JX1095N/V, Quantum 65V, Quantum 75N/V, Quantum 80F/N/V, Quantum 85N/V, Quantum 90F/V, Quantum 95N/V, Quantum 100V, Quantum 105N/V, Quantum 110V

KR-SHP099KR	Tie Rod
	OEM:
	A: M24 x 1.5
	B: M18 x 1.5
	C: 19.8 - 22mm
	Farmall JX75, Farmall JX80, Farmall JX90, Farmall JX100, Farmall JX110, JX75, JX80, JX85, JX90, JX95

KR-SHP101KR	Tie Rod
	OEM:
	A: M20 x 1.0
	B: M16 x 1.5
	C: 18.2 - 20.3mm
	JX60, JX70, JX80, JX90, JX95


KR-SHP132KR Tie Rod End	
	OEM:
	A: 7/8" - 14tpi
	B: M22 x 1.5
	C: 27.75 - 31.75mm
	Maxxum 100, Maxxum 110, Maxxum 115, Maxxum 120, Maxxum 125, Maxxum 130, Maxxum 140, MXU100, MXU110, MXU115, MXU125, MXU130, MXU135

KR-SHP133KR Tie Rod End	
	OEM:
	A: 1-1/4" - 12tpi
	B: M22 x 1.5
	C: 27.75 - 31.75mm
	Maxxum 100, Maxxum 110, Maxxum 115, Maxxum 120, Maxxum 125, Maxxum 130, Maxxum 140, MXU100, MXU110, MXU115, MXU125, MXU130, MXU135

KR-SHP154KR Axial Ball End	
	OEM: 112515A1
	A: M20 x 1.5
	B: M18 x 1.5
	C: 182mm
	495, 595, 695, 795, 895, 995, 2120, 2130, 2140, 2150, 3210, 3220, 3230, 4210, 4220, 4230, 4240, CX70, CX80, CX90, CX100, MX80C


KR-SHP158KR Axial Ball End	
	OEM:
	A: M22 x 1.5
	B: M24 x 1.5
	C: 213mm
	5120, 5130, 5140, 5150

KR-SHP211KR Tie Rod End	
	OEM: 183677A1
	A: M24 x 1.5
	B: M20 x 1.5
	C: 23.5 - 26.5mm


KR-SHP243KR Tie Rod End	
	OEM:
	A: M22 x 1.5
	B: M14 x 1.5
	C: 16.2 - 18.3mm
	433, 440, 533, 540, 553, 633, 640, 644, 654, 724, 733, 734, 740, 744, 824, 833, 834, 844, 844S, 946, 1046, 1246

KR-SHP389KR Tie Rod End	
	OEM:
	A: M18 x 1.5
	B:
	C: 13.96 - 13.96mm
	323, 353, 383, 423, 453

KR-SHP390KR Axial Ball End	
	OEM:
	A: M22 x 1.5
	B: M22 x 1.5
	C: 210mm
	C64, C70, CS48, CS52, CS58, CS63, CS68, CS75

KR-SHP391KR Tie Rod End	
	OEM:
	A: M22 x 1.5
	B: M20 x 1.5
	C: 23.5 - 26.5mm
	C64, C70, CS48, CS52, CS58, CS63, CS68, CS75

KR-SHP393KR Tie Rod End	
	OEM:
	A: M20 x 1.5
	B: M20 x 1.5
	C: 23.5 - 26.5mm
	485, 584, 585, 644, 684, 685, 743, 744, 745, 745S, 784, 785, 844, 844S, 844XL, 856, 884, 885


KR-SHP394KR		Tie Rod End	
	OEM:	3058213R91	
	A:		
	B:	M12 x 1.5	
	C:	14.4 - 16.4mm	
		323, 353, 383, 423, 453, 523, 553, 624, 654, 724, 734, 824, 834	


KR-SHP395KR		Tie Rod	
	OEM:		
	A:	M24 x 1.5	
	B:	M20 x 1.5	
	C:	23.5 - 26.5mm	
		5120, 5130, 5140, 5150, MX90C, MX100, MX100C, MX110, MX120, MX135, MX150	

KR-SHP398KR		Tie Rod End	
	OEM:		
	A:	M20 x 1.5	
	B:	M14 x 1.5	
	C:	16.2 - 18.2mm	
		323, 353, 383, 423, 453	

KR-SHP400KR		Tie Rod End	
	OEM:	3148925R1	
	A:	22mm	
	B:		
	C:	14.4 - 16.3mm	
		433, 533, 633, 733, 833	

KR-SHP402KR		Axial Ball End	
	OEM:		
	A:	M20 x 1.5	
	B:	M24 x 1.5	
	C:	210mm	
		CS100, CS110, CS120, CS130, CS150, CVX120, CVX130, CVX140, CVX150, CVX160, CVX170, CVX175, CVX195, CVX1135, CVX1145, CVX1155, CVX1170, CVX1190	

KR-SHP404KR		Tie Rod End	
	OEM:		
	A:	M20 x 1.5	
	B:		
	C:	20 - 20mm	
		433, 440, 533, 540, 553, 633, 640, 644, 654, 724, 733, 734, 740, 744, 824, 833, 834, 844, 844S, 946, 1046, 1246	


KR-SHP408KR		Tie Rod	
	OEM:		
	A:	M20 x 1.5	
	B:		
	C:	18 - 20.2mm	
		JX55, JX60, JX65, JX70	

KR-SHP411KR		Axial Ball End	
	OEM:		
	A:	M22 x 1.5	
	B:	M22 x 1.5	
	C:	192mm	
		C55, CS68, CS75	

KR-SHP415KR		Tie Rod End	
	OEM:		
	A:	M18 x 1.5	
	B:	M12 x 1.25	
	C:	14.4 - 16.25mm	
		523, 553, 624, 654, 724, 734, 824, 834	

KR-SHP416KR		Tie Rod End	
	OEM:		
	A:		
	B:	3/4"	
	C:	23.9 - 27.5mm	
		Maxxum 100, Maxxum 110, Maxxum 115, Maxxum 120, Maxxum 125, Maxxum 130, Maxxum 140, MXU100, MXU110, MXU115, MXU125, MXU130, MXU135	

KR-SHP417KR	Track Rod Head
	OEM: 5198880
	A: M24 x 1.5
	B: M20 x 1.5
	C: 23.5 - 26mm

KR-SHP420KR	Tie Rod End
	OEM:
	A: M22 x 1.5
	B: M20 x 1.5
	C: 23.5 - 26.5mm C55, C64, C70, CS68, CS75

KR-SHP422KR	Tie Rod End
	OEM:
	A: M20 x 1.5
	B: M18 x 1.5
	C: 20 - 22.2mm 533, 540, 633, 640, 733, 740, 833, 840, 940


KR-SHP425KR	Tie Rod End
	OEM: 3116407R5
	A: 7/8"
	B: M14 x 1.5
	C: 15.3 - 18.3mm 385, 395, 484, 485, 495, 574, 584, 585, 595, 674, 684, 685, 695, 784, 785, 795, 884, 885, 895, 995

KR-SHP427KR	Tie Rod End
	OEM: 4000201092, 4000200842, 1280662C1
	A: 30mm
	B:
	C: 25.2 - 28.1mm MX100, MX110, MX120, MX135, MX150, MX170, MX180, MX200, MX210, MX220, MX230, MX240, MX255, MX270, MX285, MXM120, MXM130, MXM140, MXM155, MXM175, MXM190

KR-SHP428KR	Tie Rod End
	OEM:
	A: 20mm
	B: M14 x 1.5
	C: 15 - 17mm 454, 484, 485, 495, 584, 585, 595, 684, 685, 695, 785, 795, 884, 885, 895, 995

KR-SHP430KR	Tie Rod End
	OEM: B514023, 312171R2GV, 312171R2, 3125171R1/2/3
	A: 20.5mm
	B: M14 x 1.5
	C: 16 - 18mm 454, 484, 485, 495, 584, 585, 595, 684, 685, 695, 784, 785, 795, 884, 885, 895, 995

KR-SHP434KR	Tie Rod End
	OEM: 3232877R91, 3232877R92
	A: M28 x 1.5
	B: M18 x 1.5
	C: 20 - 22.2mm 743, 744, 745, 745S, 844S, 844XL, 845, 856, 955, 956, 1055, 1056, 1255, 1455

KR-SHP440KR	Tie Rod End
	OEM: 5086980
	A: 20mm
	B:
	C: 16.2 - 18.3mm Farmall 65A, Farmall 75A, Farmall 85A, Farmall 95A, Farmall 105A, Farmall 115A, Farmall JX70, Farmall JX75, Farmall JX80, Farmall JX90, Farmall JX100, JX55, JX60, JX65, JX70, JX75, JX80, JX85, JX90, JX95


KR-SHP442KR	Tie Rod End
	OEM: 5086979
	A: M22 x 1.5
	B: M14 x 1.5
	C: 16.2 - 18.3mm Farmall 65A, Farmall 75A, Farmall 85A, Farmall 95A, Farmall 105A, Farmall 115A, Farmall JX70, Farmall JX75, Farmall JX80, Farmall JX90, Farmall JX100, JX55, JX60, JX65, JX70, JX75, JX80, JX85, JX90, JX95


KR-SHP447KR Tie Rod End	
	OEM: 1280658C1
	A: 1-1/8" - 12tpi
	B: M20 x 1.5
	C: 25.15 - 28mm
	MX100, MX110, MX120, MX135, MX150, MX170, MX180, MX200, MX210, MX220, MX230, MX240, MX255, MX270, MX285, MXM120, MXM130, MXM140, MXM155, MXM175, MXM190,


KR-SHP448KR Tie Rod End	
	OEM:
	A: 7/8"
	B: M14 x 1.5
	C: 15.4 - 18.2mm
	4210, 4220, 4230, 4240, CX50, CX60, CX70, CX80, CX90, CX100, MX80C, MX90C, MX100C


KR-SHP449KR Tie Rod End	
	OEM:
	A: 1-1/8" - 16tpi
	B:
	C: 27.6 - 31.7mm
	Maxxum 100, Maxxum 110, Maxxum 115, Maxxum 120, Maxxum 125, Maxxum 130, Maxxum 140, MXU100, MXU110, MXU115, MXU125, MXU130, MXU135

KR-SHP450KR Tie Rod End	
	OEM:
	A: 7/8" - 14tpi
	B: M27 x 1.5
	C: 30.7 - 35.3mm
	Maxxum 100, Maxxum 110, Maxxum 115, Maxxum 120, Maxxum 125, Maxxum 130, Maxxum 140, MXU100, MXU110, MXU115, MXU125, MXU130, MXU135


KR-SHP451KR Tie Rod End	
	OEM:
	A: 1-1/4" - 12tpi
	B: M27 x 1.5
	C: 30.8 - 35mm
	Maxxum 100, Maxxum 110, Maxxum 115, Maxxum 120, Maxxum 125, Maxxum 130, Maxxum 140, MXU100, MXU110, MXU115, MXU125, MXU130, MXU135

KR-SHP454KR Tie Rod End	
	OEM:
	A: M24 x 1.5
	B: M20 x 1.5
	C: 23.5 - 26.5mm
	CS100

KR-SHP455KR Tie Rod	
	OEM: 5085084
	A: M22 x 1.5
	B:
	C: 16.2 - 18.3mm
	JX55, JX60, JX65, JX70, JX75, JX80, JX85, JX90, JX95

KR-SHP457KR Tie Rod End	
	OEM: E9NN3278AA, 81864106
	A:
	B:
	C: 23.9 - 27.4mm
	Maxxum 100, Maxxum 110, Maxxum 115, Maxxum 120, Maxxum 125, Maxxum 130, Maxxum 140, MXU100, MXU110, MXU115, MXU125, MXU130, MXU135

KR-SHP485KR Axial Ball End	
	OEM: 1968468C1
	A: M20 x 1.5
	B: M22 x 1.5
	C: 185mm
	485, 495, 585, 595, 685, 695, 743, 745, 745S, 785, 795, 844S, 844XL, 845, 856, 885, 895, 956, 995, 1056


KR-SHP489KR Tie Rod End	
	OEM: 1968464C1
	A: M22 x 1.5
	B: M18 x 1.5
	C: 20 - 22mm
	385, 395, 485, 495, 585, 595, 685, 695, 743, 745, 745S, 785, 795, 844S, 844XL, 845, 856, 885, 895, 956, 995, 1056

KR-SHP492KR Axial Ball End	
	OEM:
	A: M20 x 1.5
	B: M18 x 1.5
	C: 177mm
	2120 Pro, 2130 Pro, 2140 Pro, 2150 Pro, C42, C48, CS48, CS52, CS58, CS63, CS68, CS75, CS78, CS86, CS94, JX1070N, JX1075N, JX1095N, Quantum 75F/N, Quantum 85F/N, Quantum 95F/N, Quantum 105F/N


KR-SHP495KR Axial Ball End	
	OEM:
	A: M22 x 1.5
	B: M27 x 1.5
	C: 180mm
CVX170, CVX175, CVX195, CVX1170, CVX1190, CVX1195, MX170	


KR-SHP496KR Axial Ball End	
	OEM:
	A: M22 x 1.5
	B: M24 x 1.5
	C: 210mm
	CVX170, CVX175, CVX195, CVX1170, CVX1190, CVX1195, MX150, MX170


KR-SHP497KR Track Rod	
	OEM:
	A: M24 x 1.5
	B: M20 x 1.5
	C: 23.5 - 26.5mm
	CVX175, CVX195, CVX1170, CVX1190, CVX1195


KR-SHP501KR Tie Rod End	
	OEM:
	A: M18 x 1.5
	B: M18 x 1.5
	C: 20 - 22mm
	495, 595, 695, 795, 895, 995, 3210, 3220, 3230, 4210, 4220, 4230, 4240, CX50, CX60, CX70, CX80, CX90, CX100, MX80C

KR-SHP503KR Axial Ball End	
	OEM:
	A: M20 x 1.5
	B: M18 x 1.5
	C: 150mm
	JX1060V, JX1070V, JX1075V, JX1095V, Quantum 65V, Quantum 75V, Quantum 85V, Quantum 95V, Quantum 105V


KR-SHP504KR Drag Link	
	OEM: 3216556R91, 3217281R1
	A:
	B:
	C:
	533, 540, 633, 640, 733, 740, 833, 840, 940

KR-SHP508KR Tie Rod End	
	OEM:
	A: M24 x 1.5
	B: M20 x 1.5
	C: 23.5 - 26.5mm
	CVX170, CVX1170, CVX1190


KR-SHP509KR Tie Rod End	
	OEM: 1968473C1
	A: M22 x 1.5
	B: M20 x 1.5
	C: 23.5 - 26.5mm
	743, 956, 1056

KR-SHP510KR Tie Rod End	
	OEM: 126144A1
	A: M22 x 1.5
	B: M20 x 1.5
	C: 23.5 - 26.5mm
	5120, 5130, 5140, 5150


KR-SHP515KR Tie Rod End	
	OEM:
	A: M18 x 1.5
	B: M18 x 1.5
	C: 19.9 - 22.25mm
	JX1060V, JX1070V, JX1075V, JX1095V, Quantum 65V, Quantum 75V, Quantum 85V, Quantum 95V, Quantum 105V

KR-SHP516KR Tie Rod End	
	OEM:
	A: M24 x 1.5
	B: M20 x 1.5
	C: 23.5 - 26.5mm
	CVX170, CVX1170, CVX1190


KR-SHP535KR Tie Rod End	
	OEM:
	A: M18 x 1.5
	B: M18 x 1.5
	C: 19.9 - 22.25mm
	2120 Pro, 2130 Pro, 2140 Pro, 2150 Pro, JX1070N, JX1075N, JX1095N, Quantum 75N, Quantum 85N, Quantum 95N, Quantum 105N

KR-SHP536KR Tie Rod End	
	OEM:
	A: M18 x 1.5
	B: M18 x 1.5
	C: 19.9 - 22.25mm
	2120 Pro, 2130 Pro, 2140 Pro, 2150 Pro, JX1070N, JX1075N, JX1095N, Quantum 75N, Quantum 85N, Quantum 95N, Quantum 105N

KR-SHP544KR Tie Rod End	
	OEM:
	A: 3/4" - 20tpi
	B: M16 x 1.5
	C: 18.5 - 20.5mm
	1194, 1294, 1394, 1494, 1594

KR-VPJ3054 Extending Steering End	
	OEM:
	A:
	B: 1/2" - 20tpi
	C:
	275, 276, 354, 374, 384, 414, 434, 444

KR-VPJ3055 Threaded Steering End	
	OEM: 3040920R92, 3071097R91
	A: 3/4" - 16tpi
	B: 1/2" - 20tpi
	C: 17.5 - 19.9mm
	275, 276, 354, 374, 384, 414, 434, 444

KR-VPJ3067 Cylinder Steering End	
	OEM:
	A: 3/4" - 20tpi
	B: M16 x 1.5
	C: 16.8 - 21.5mm
	1194, 1294, 1394, 1494, 1594

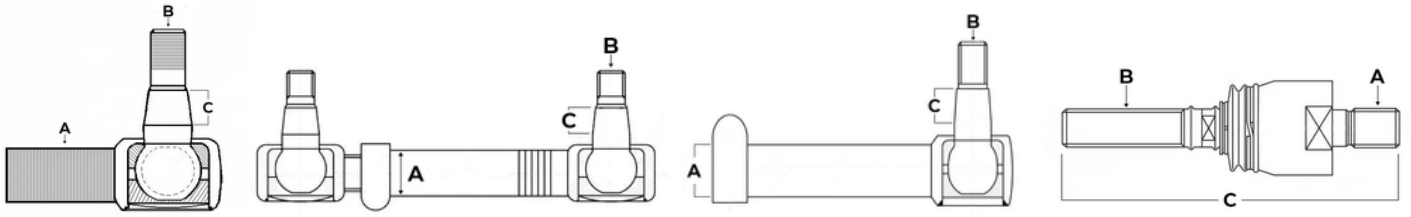
KR-VPJ3463 Steering End	
	OEM:
	A: M28 x 1.5
	B: 3/4" - 16tpi
	C: 23.88 - 26.6mm
	Maxxum 100, Maxxum 110, Maxxum 115, MXU100, MXU110, MXU115, MXU125, MXU130, MXU135


KR-VPJ3464 Outer Steering End	
	OEM:
	A:
	B: M19 x 1.5
	C: 23.8 - 27.4mm
	Maxxum 100, Maxxum 110, Maxxum 115, MXU100, MXU110, MXU115, MXU125, MXU130, MXU135


KR-VPJ3506 Steering End	
	OEM: 1968464C1
	A: M22 x 1.5
	B: M18 x 1.5
	C: 19.9 - 22.3mm
	395, 485, 495, 585, 595, 685, 695, 743, 745, 745S, 785, 795, 844, 844S, 844XL, 845, 856, 885, 895, 985, 995

KR-83949861N Seal Kit Steering Cylinder	
	OEM:
	A:
	B:
	C:
	MXU100 Maxxum, MXU110 Maxxum, MXU115 Maxxum


KR-VPJ4089 Seal Kit	
	OEM:
	A:
	B:
	C:
	395, 495, 595, 695, 795, 895, 995, 3210, 3220, 3230, 4210, 422,0 4230, 4240, C80, C90, C100



KR-SHP074KR	Tie Rod End
	OEM: 18043080, 0018043080
	A: M20 x 1.5
	B: M16 x 1.5
	C: 18.2 - 20.3mm

KR-SHP076KR	Axial Ball End
	OEM: 3196370, 0069789.0, 697890, 6000103524
	A: M22 x 1.5
	B: M24 x 1.5
	C: 213mm
	Ares 547, 557, 567, 577, 617, 657, 697

KR-SHP154KR	Axial Ball End
	OEM: 6000103044
	A: M20 x 1.5
	B: M18 x 1.5
	C: 182mm

KR-SHP206KR	Tie Rod End
	OEM: 0005705915, 5705915
	A: M18 x 1.5
	B: M16 x 1.5
	C: 19.2 - 22.5mm

KR-SHP234KR	Tie Rod End
	OEM: 6000100832
	A: M20 x 1.5
	B: M14 x 1.5
	C: 16.2 - 18.4mm
	Dionis 110, 120, 130, 140, Fructus 110, 120, 130, 140, Nectis 217VE/VL, 227F/VE/VL, 237F/VE/VL, 247F/VE/VL, 257F/VE/VL, 267F/VE/VL, Pales 210, 230, 240


KR-SHP235KR	Tie Rod End
	OEM: 6000100833
	A: M20 x 1.5
	B: M14 x 1.5
	C: 16.2 - 18.4mm
	Dionis 110, 120, 130, 140, Fructus 110, 120, 130, 140, Nectis 217VE/VL, 227F/VE/VL, 237F/VE/VL, 247F/VE/VL, 257F/VE/VL, 267F/VE/VL, Pales 210, 230, 240


KR-SHP239KR	Tie Rod End
	OEM: 6000103324
	A: M24 x 1.5
	B: M20 x 1.5
	C: 23.5 - 26.5mm
	Ares 546, 547, 556, 557, 566, 567, 577, 616, 617, 656, 657, 696, 697, 816, 826, 836, Celtis 456

KR-SHP240KR	Axial Ball End
	OEM: 6000103325
	A: M22 x 1.5
	B: M24 x 1.5
	C: 213mm
	Ares 546, 547, 556, 557, 566, 567, 577, 616, 617, 656, 657, 816, 826, 836, Altes 926, 936, Celtis 456, Jaguar 900/830

KR-SHP245KR	Tie Rod End
	OEM: 6005009894
	A: M22 x 1.5
	B: M20 x 1.5
	C: 23.5 - 26.5mm

KR-SHP246KR	Axial Ball End
	OEM: 6005009895
	A: M22x1.5
	B: M22x1.5
	C: 213mm

KR-SHP395KR	Tie Rod
	OEM:
	A: M24 x 1.5
	B: M20 x 1.5
	C: 23.5 - 26.5mm
	Ares 546, 547, 556, 557, 566, 567, 577, 616, 617, 656, 657, 696, 697, 816, 826, 836, Arion 410C, 420, 420C, 430C, 510, 510C, 520, 520C, 530, 530C, 540, 540C, 610, 610C, 620, 620C, 630, 630C, 640, 640C, Axos 310, 320, 330, 340, Celtis 426, 436, 446, 456, Jaguar 880/860, 900/830


KR-SHP471KR	Tie Rod End
	OEM: 6000103260
	A: M18 x 1.5
	B: M18 x 1.5
	C: 19.9 - 22.35mm
	Celtis 426, 426-4, 436, 436-4, 446, 446-4, 456, Ceres 326, 336, 346, Ergos 436, 446, 456, 466


KR-SHP492KR	Axial Ball End
	OEM:
	A: M20 x 1.5
	B: M18 x 1.5
	C: 177mm
	Basso 130, 140, 150, Fructus 110, 120, 130, 140, Nectis 217VE/VL, 227F/VE/VL, 237F/VE/VL, 247F/VE/VL, 257F/VE/VL, 267F/VE/VL, Nexos 220FB, 230FB


KR-SHP495KR	Axial Ball End
	OEM:
	A: M22 x 1.5
	B: M27 x 1.5
	C: 180mm
	Ares 546, 547, 556, 557, 566, 567, 577, 616, 617, 656, 657, 696, 697, 816, 826, 836


KR-SHP496KR	Axial Ball End
	OEM:
	A: M22 x 1.5
	B: M24 x 1.5
	C: 210mm
	Ares 546, 547, 556, 557, 566, 567, 577, 616, 617, 656, 657, 696, 697, 816, 826, 836, Arion 610, 620, 630, 640

KR-SHP503KR	Axial Ball End
	OEM:
	A: M20 x 1.5
	B: M18 x 1.5
	C: 150mm
	Nectis 217VE/VL, 227F/VE/VL, 237F/VE/VL, 247F/VE/VL, 257F/VE/VL, 267F/VE/VL


KR-SHP506KR	Tie Rod End
	OEM:
	A: M24 x 1.5
	B: M22 x 1.5
	C: 24.6 - 28.5mm
	Celtis 426, 436, 446, 456, Ceres 326, 336, 346

KR-SHP507KR	Tie Rod End
	OEM:
	A: M18 x 1.5
	B: M18 x 1.5
	C: 19.9 - 22.25mm
	Celtis 426, 436, 446, 456, Ceres 326, 336, 346


KR-SHP508KR Tie Rod End	
	OEM:
	A: M24 x 1.5
	B: M20 x 1.5
	C: 23.5 - 26.5mm
Ares 546, 547, 556, 557, 566, 567, 577, 616, 617, 656, 657, 696, 697, 816, 826, 836, Arion 640	

KR-SHP514KR Tie Rod End	
	OEM:
	A: M24 x 1.5
	B: M20 x 1.5
	C: 23.5 - 26.5mm
Arion 430	

KR-SHP515KR Tie Rod End	
	OEM:
	A: M18 x 1.5
	B: M18 x 1.5
	C: 19.9 - 22.25mm
Nectis 217VE/VL, 227F/VE/VL, 237F/VE/VL, 247F/VE/VL, 257F/VE/VL, 267F/VE/VL	

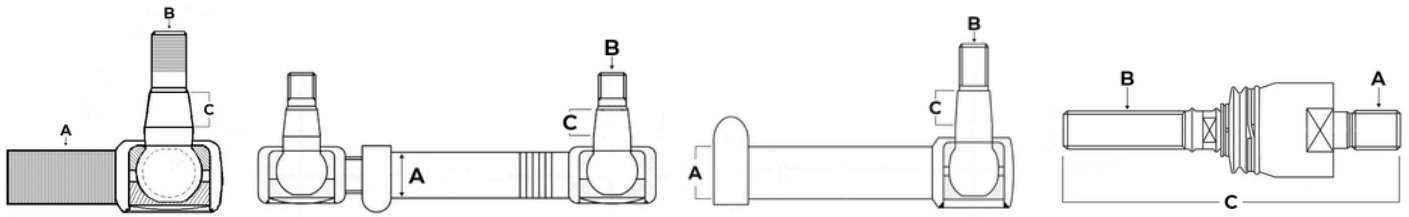
KR-SHP516KR Tie Rod End	
	OEM:
	A: M24 x 1.5
	B: M20 x 1.5
	C: 23.5 - 26.5mm
Ares 546, 547, 556, 557, 566, 567, 577, 616, 617, 656, 657, 696, 697, 816, 826, 836, Arion 610, 620, 630, 640	

KR-SHP535KR Tie Rod End	
	OEM:
	A: M18 x 1.5
	B: M18 x 1.5
	C: 19.9 - 22.25mm
Basso 130, 140, 150, Fructus 110, 120, 130, 140, Nectis 217VE/VL, 227F/VE/VL, 237F/VE/VL, 247F/VE/VL, 257F/VE/VL, 267F/VE/VL	

KR-SHP536KR Tie Rod End	
	OEM:
	A: M18 x 1.5
	B: M18 x 1.5
	C: 19.9 - 22.25mm
Basso 130, 140, 150, Fructus 110, 120, 130, 140, Nectis 217VE/VL, 227F/VE/VL, 237F/VE/VL, 247F/VE/VL, 257F/VE/VL, 267F/VE/VL	

KR-VPJ3364 Steering End	
	OEM:
	A: M16 x 1.5
	B: M16 x 1.5
	C: 17.5 - 19.8mm
Celtis 426, 436, 446	

David Brown



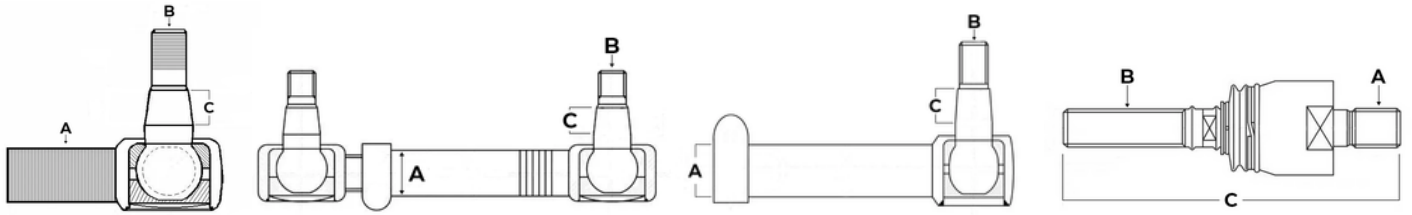
KR-SHP544KR Tie Rod End	
	OEM: K262852
	A: 3/4" - 20tpi
	B: M16 x 1.5
	C: 18.5 - 20.5mm
1190, 1210, 1212, 1290, 1390, 1410, 1212, 1490, 1690	

KR-VPJ3067 Cylinder Steering End	
	OEM:
	A: 3/4" - 20tpi
	B: M16 x 1.5
	C: 16.8 - 21.5mm
885, 990, 995, 996, 1190, 1194, 1200, 1210, 1212, 1290, 1294, 1390, 1394, 1410, 1412, 1490, 1494, 1594	


KR-VPJ3069 Cylinder Steering End	
	OEM:
	A: 7/8" - 18tpi
	B: M16 x 1.5
	C: 18.5 - 21.2mm
885, 990, 995, 996, 1210, 1212, 1410, 1412	

KR-VPJ3191 Steering End	
	OEM:
	A: M22 x 1.5
	B: M14 x 1.5
	C: 18.5 - 20.4mm
990, 995, 996, 1290, 1390, 1490	

KR-VPJ3192 Steering End	
	OEM:
	A: M22 x 1.5
	B: M14 x 1.5
	C: 18.5 - 20.5mm
990, 995, 996, 1290, 1390, 1490	





KR-SHP040KR Tie Rod End	
	OEM: 2311074
	A: M16 x 1.5
	B: M14 x 1.5
	C: 16.2 - 18.4mm
5506, 7006	


KR-SHP042KR Tie Rod End	
	OEM: 02315645, 2315645
	A: 24mm
	B: M18 x 1.5
	C: 19.95 - 22.3mm
7206, 7207, 7506, 7807, 8006, 9006, 10006	

KR-SHP043KR Tie Rod End	
	OEM: 2339341
	A: M18 x 1.5
	B: M18 x 1.5
	C: 20 - 22mm
6006, 7006, 7506, 9006	

KR-SHP044KR Tie Rod End	
	OEM: 2339941
	A: M27 x 1.5
	B: M22 x 1.5
	C: 23.2 - 27.3mm
6006, 7006, 7506, 9006	


KR-SHP045KR Tie Rod End	
	OEM: 2371245, 02371245
	A: 24mm
	B: M18 x 1.5
	C: 19.95 - 22.3mm
7506, 9006	

KR-SHP046KR Tie Rod	
	OEM: 2372883
	A: M16 x 1.5
	B: M14 x 1.5
	C: 16.2 - 18.4mm
6206, 6806, 7506, 9006	


KR-SHP047KR Tie Rod End	
	OEM: 02381193, 2381193
	A: 16mm
	B: M12 x 1.5
	C: 14.5 - 16.25mm
4006, 4007, 4506, 4507, 4807, 5006, 5206, 5207, 6007	


KR-SHP048KR Tie Rod End	
	OEM: 02381195, 2381195
	A: M16 x 1.5
	B: M10 x 1.5
	C: 12.6 - 14.2mm
2506, 2807, 3006, 3607, 4006, 4007, 4506, 4507, 4807, 5006, 526, 5207, 6007, 6206, D25, D30, D40	


KR-SHP049KR	Tie Rod End
	OEM: 2381199, 02381199
	A: M18 x 1.5
	B: M12 x 1.25
	C: 14.4 - 16.2mm
	3006, 4006, 4007, 4506, 4507, 4807, 5206, 5207, 6006, 6007, 6206, 7006, 7506, 9006


KR-SHP050KR	Tie Rod
	OEM: 2382758
	A: M16 x 1.5
	B: M10 x 1.5
	C: 12.5 - 14.5mm
	2506, 2807, 3006, 3607, 4006, 4506, D40


KR-SHP051KR	Tie Rod
	OEM: 2382761
	A: 20mm
	B: M10 x 1.5
	C: 12.5 - 14.5mm
	2506, 2807, 3006, 3607, 4006, 4007, 4506, 4507, 4807, 5006, 5206, 5207, 5506, 6007, 6206, D25, D30, D40


KR-SHP052KR	Tie Rod
	OEM: 2382763
	A: 24mm
	B: M12 x 1.5
	C: 14.5 - 16.2mm
	3006, 4006, 4007, 4506, 4507, 4807, 5206, 5207, 6007, 6206


KR-SHP053KR	Drag Link
	OEM: 02311076, 2382773
	A: 16mm
	B: M12 x 1.5
	C: 14.5 - 16.25mm
	5506, 6206


KR-SHP054KR	Drag Link
	OEM: 3388983, 2382774, 3388993
	A: 16mm
	B: M12 x 1.5
	C: 14.5 - 16.25mm
	2505, 2807, 3005, 3006, 3607, 4005, 4006, 4007, 4506, 4507, 4807, 5005, 5006, 5206, 5207, 6007, 7006, 7206, 10006, D9005


KR-SHP055KR	Drag Link
	OEM: 02311068, 2382777, 2311068
	A:
	B: M12 x 1.5
	C: 14.5 - 16.25mm
	4006, 4506


KR-SHP056KR	Drag Link
	OEM: 2372778, 02372778, 2382778, 02382778
	A:
	B: M12 x 1.5
	C: 14.5 - 16.25mm
	2506, 2807, 3006, 3607

KR-SHP057KR	Tie Rod
	OEM: 03387860, 3387860
	A:
	B: M12 x 1.5
	C: 14.5 - 16.25mm
	2505, 2506, 2807, 3005, 3006, 4005, 4007, 4506, 4507, 4807, 5005, 5207, 6007, 13006, D25, D30


KR-SHP058KR	Drag Link
	OEM: 03387874, 3387874
	A: M16 x 1.5
	B: M12 x 1.5
	C: 14.5 - 16.25mm
	2505, 2506, 2807, 3005, 3006, 4005, 4007, 4506, 4507, 4807, 5005, 5207, 6007, 13006, D25, D30


KR-SHP059KR	Tie Rod
	OEM: 03387880, 3387880
	A: M16 x 1.5
	B: M10 x 1.5
	C: 12.5 - 14.5mm
	D25, D30, D40

KR-SHP064KR	Ball End
	OEM: 4376787
	A: M18 x 1.5
	B: M18 x 1.5
	C: 19.9 - 22.3mm
	DX3.10, DX3.30, DX3.50, DX3.70, DX3.90

KR-SHP066KR	Tie Rod End
	OEM: 4396025
	A: M18 x 1.5
	B: M18 x 1.5
	C: 19.9 - 22.3mm
	AGROCOMPACT 3.30V/F, 3.50S/V/F, 3.70V/F, 3.90F/S, DX3.10, DX3.30, DX3.50, DX3.70, DX3.90


KR-SHP067KR	Axial Ball End
	OEM: 04439530, 4439530
	A: M22 x 1.5
	B: M24 x 1.5
	C: 213mm
	DX6.10, DX6.30, DX6.50

KR-SHP076KR	Axial Ball End
	OEM: 4415654, 04415654
	A: M22 x 1.5
	B: M24 x 1.5
	C: 213mm
	Agrotron MK1 Series, Agrotron MK3 Series, Agrotron New Series, Agrotron TTV Series, DX 2/4/5/6/7/8 Series

KR-SHP243KR	Tie Rod End
	OEM:
	A: M22 x 1.5
	B: M14 x 1.5
	C: 16.2 - 18.3mm
	AGROLUX 80, 90, AGROPLUS 75, 85, 95, 100

KR-SHP245KR	Tie Rod End
	OEM: 4392038, 439203810, 0439203810, 04392038
	A: M22 x 1.5
	B: M20 x 1.5
	C: 23.5 - 26.5mm

KR-SHP260KR	Tie Rod End
	OEM: 04392038
	A: M22 x 1.5
	B: M20 x 1.5
	C: 23.5 - 26.5mm
	AGROPRIMA 4.31, 4.51, 4.56, AGROXTRA 3.57, 4.07, 4.17, 4.47, 4.57

KR-SHP330KR	Axial Ball End
	OEM: 04401801
	A: M26 x 1.5
	B: M28 x 1.5
	C: 234mm
	AGROSTAR TG6.71, TG6.81, AGROTRON 160MK2, 175MK2, 200MK2

KR-SHP490KR	Axial Ball End
	OEM:
	A: M24 x 1.5
	B: M28 x 1.5
	C: 235mm
	INTRAC 6.30, 6.60


KR-SHP494KR	Axial Ball End
	OEM: 4435178, 04435178, 04374419
	A: M24 x 1.5
	B: M28 x 1.5
	C: 235mm
	AGROTRON 210, 215, 230MK2, 230MK3, 235 NEW, 260MK2, 260MK3, 265

KR-SHP496KR	Axial Ball End
	OEM:
	A: M22 x 1.5
	B: M24 x 1.5
	C: 210mm
	6120.4, 6130.4, 6140, 6140.4, 6150, 6150.4, 6160, 6160.4, 6180, 6190, 6210, 7210TTV, 7230TTV, 7250TTV, AGROTRON 90, 100 NEW, 110 NEW, 118 NEW, 120 NEW, 128 NEW, 130 NEW, 140 NEW, 150 NEW, 150.7 NEW, 155 NEW, 165 NEW, 165.7 NEW, 265, K90, K100, K110, K120, K410, K420, K430, K610, M410, M420, M600, M610, M615, M620, M625, M640, M650, TTV410, TTV420, TTV430, TTV610, TTV620, TTV630, TTV1130, TTV1145, TTV1160, X710, X720

KR-SHP498KR	Tie Rod End
	OEM:
	A: M24 x 1.5
	B: M20 x 1.5
	C: 23.5 - 26.5mm
	6120.4, 6130.4, 6140, 6140.4, 6150, 6150.4, 6160, 6160.4, 6180, 6190, 6210, 7210TTV, 7230TTV, 7250TTV, AGROTRON 120 NEW, 128 NEW, 130 NEW, 140 NEW, 150 NEW, 150.7 NEW, 155 NEW, 165 NEW, 165.7 NEW, K410, K420, K430, K610, M410, M420, M600, M610, M615, M620, M625, M640, M650, TTV410, TTV420, TTV430, TTV610, TTV620, TTV1130, TTV1145, TTV1160


KR-SHP503KR	Axial Ball End
	OEM:
	A: M20 x 1.5
	B: M18 x 1.5
	C: 150mm
	AGROCOMPACT 3.30V/F


KR-SHP505KR	Drag Link
	OEM:
	A: M24 x 1.5
	B: M20 x 1.5
	C: 23.5 - 26.5mm
	DX6.10, DX6.30, DX6.50

KR-SHP506KR	Tie Rod End
	OEM: 04415653
	A: M24 x 1.5
	B: M22 x 1.5
	C: 24.6 - 28.5mm

KR-SHP511KR	Tie Rod End
	OEM: 04415652
	A: M24 x 1.5
	B:
	C: 25 - 27mm
	AGROTRON 80, 80MK3, 85, 85MK3, 90MK3, 100MK2, 100MK3, 105MK2, 105MK3, 110 NEW, 4.70, 4.80, 4.85, 4.90, 4.95, 6.01

KR-SHP519KR	Tie Rod End
	OEM: 04415657
	A: M24 x 1.5
	B: M22 x 1.5
	C: 24.6 - 28.5mm
	AGROTRON 106, 106MK3, 108 NEW, 110MK2, 110MK3, 115MK2, 115MK3, 118 NEW, 120 NEW, 128 NEW, 130 NEW, 6.00, 6.05

KR-SHP520KR	Tie Rod End
	OEM: 04415658
	A: M24 x 1.5
	B: M22 x 1.5
	C: 24.6 - 28.5mm
	AGROTRON 106, 106MK3, 108 NEW, 110MK2, 110MK3, 115MK2, 115MK3, 118 NEW, 120 NEW, 128 NEW, 130 NEW, 6.00, 6.05

KR-SHP803KR	Tie Rod End
	OEM:
	A: M24 x 1.5
	B: M22 x 1.5
	C: 24.7 - 28.4mm
	AGROTRON 106, 106MK3, 108 NEW, 110MK2, 110MK3, 115MK2, 115MK3, 118 NEW, 120 NEW, 128 NEW, 6.00, 6.05

KR-VPJ3481

Steering End



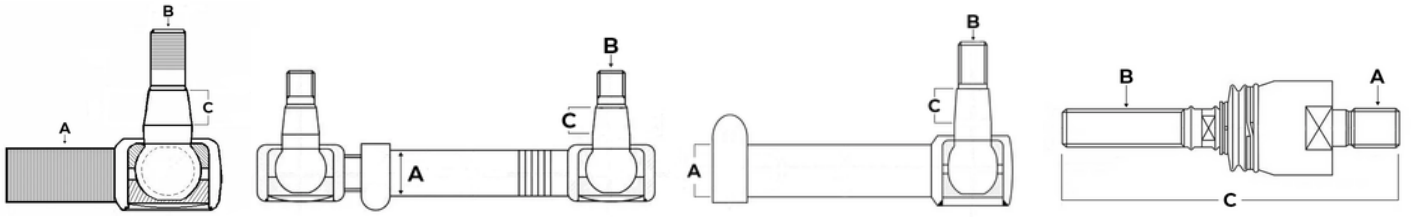
OEM: 04415657
A: M24 x 1.5
B: M22 x 1.5
C: 24.6 - 28.5mm
AGROTRON 106, 106MK3, 110MK2, 110MK3, 115MK2, 115MK3, 6.00, 6.05


KR-VPJ3482

Steering End





OEM: 4415658, 04415658
A: M24 x 1.5
B: M22 x 1.5
C: 24.6 - 28.5mm
AGROTRON 106, 106MK3, 110MK2, 110MK3, 115MK2, 115MK3, 6.00, 6.05





KR-SHP022KR	Tie Rod
	OEM: X800210047000, X800210017000, X800210017
	A: M20 x 1.5
	B: M20 x 1.5
	C: 23.4 - 26.4mm
	309, 310, F360GT, F380GT(A), Farmer 105, Farmer 304, Farmer 305, Farmer 306, Farmer 307, Farmer 307C/Ci, Farmer 308, Farmer 308C/Ci, Farmer 309, Farmer 310, Farmer 311, GT360GT

KR-SHP070KR	Tie Rod End
	OEM: F168300100010
	A: M22 x 1.5
	B: M18 x 1.5
	C: 20 - 22.2mm
	F365GTA, F380GT(A), Farmer 303, Farmer 304, Farmer 305, Farmer 306, Farmer 308, GT365GT, GT380GT


KR-SHP071KR	Tie Rod End
	OEM: F168300100020
	A: M22 x 1.5
	B: M18 x 1.5
	C: 20 - 22.2mm
	F365GTA, F380GT(A), Farmer 303, Farmer 304, Farmer 305, Farmer 306, Farmer 308, GT365GT, GT380GT


KR-SHP072KR	Tie Rod End
	OEM: F168303100030
	A: M22 x 1.5
	B: M20 x 1.5
	C: 23.5 - 26.3mm
	F365GTA, F380GT(A), Farmer 304, Farmer 305, Farmer 306, Farmer 307, Farmer 308, GT365GT, GT380GT

KR-SHP073KR	Tie Rod End
	OEM: F168303100040
	A: M22 x 1.5
	B: M20 x 1.5
	C: 23.5 - 26.3mm
	F365GTA, F380GT(A), Farmer 304, Farmer 305, Farmer 306, Farmer 307, Farmer 308, GT380GT


KR-SHP074KR	Tie Rod End
	OEM: 18043080
	A: M20 x 1.5
	B: M16 x 1.5
	C: 18.2 - 20.3mm
	Farmer 104, Farm 200K/V/S/SA

KR-SHP076KR	Axial Ball End
	OEM: F385300100020
	A: M22 x 1.5
	B: M24 x 1.5
	C: 213mm
	Favorit 611, Favorit 612, Favorit 614, Favorit 615, Favorit SL Turbomatik Series, 611, 612, 614, 615


KR-SHP077KR	Tie Rod End
	OEM: F816300100010
	A: M28 x 1.5
	B: M27 x 1.5
	C: 28.8 - 32.3mm
	Favorit 816, Favorit 818, Favorit 822, Favorit 824, Favorit 916, Favorit 920, Favorit 924, Favorit 926


KR-SHP078KR	Tie Rod End
	OEM: F816300100020
	A: M28 x 1.5
	B: M27 x 1.5
	C: 28.8 - 32.3mm
	Favorit 816, Favorit 818, Favorit 822, Favorit 824, Favorit 916, Favorit 920, Favorit 924, Favorit 926


KR-SHP080KR	Tie Rod End
	OEM: G155302120150, X800210050, X800210050000/6000, X800210018000/61000
	A: M20 x 1.5
	B: M18 x 1.5
	C: 20 - 22.2mm
	309, 310, 311, 312, F360GT, F380GT(A), Farmer 102, 103, 105, 108, Farmer 240S, 250S/V, 260P/S/V, 270P/S/V, Farmer 280P, Farmer 303, 304, 305, 306, 307, 308, 309, Farmer 310, 311, Farmer 5S/106, Favorit 600, Favorit 610, 611, 612, 614, 615, GT360GT, GT370GT


KR-SHP081KR	Tie Rod End
	OEM: X800210015000, X800210015
	A: M24 x 1.5
	B: M20 x 1.5
	C: 23.4 - 26.4mm
	Farmer 308, Farmer 309, Favorit 610

KR-SHP082KR	Tie Rod End
	OEM: X800210051000, X800210051
	A: M20 x 1.5
	B: M18 x 1.5
	C: 19.7 - 22.3mm
	Farmer 102, Farmer 103, Farmer 104, Farmer 105, Farmer 108, Farmer 5S/106, Favorit 600, Favorit 610, Favorit 611, Favorit 612, Favorit 614, Favorit 615

KR-SHP364KR	Ball End
	OEM: F411301101010
	A: M26 x 1.5
	B: M22 x 1.5
	C: 25 - 27mm
	411, 412, 413, 414, 415, Farmer 410, Farmer 411, Farmer 412

KR-SHP368KR	Ball End
	OEM: F514300100020
	A: M22 x 1.5
	B: M22 x 1.5
	C: 24.65 - 28.53mm
	Farmer 312, Favorit 512, Favorit 514, Favorit 515, GT395GT

KR-SHP369KR	Ball End
	OEM: F514300100010
	A: M22 x 1.5
	B: M22 x 1.5
	C: 24.65 - 28.53mm
	Farmer 312, Favorit 512, Favorit 514, Favorit 515, GT395GT

KR-SHP370KR	Ball End
	OEM: F198300100010
	A: M22 x 1.5
	B: M18 x 1.5
	C: 19.9 - 22.2mm
	Farmer 309, Farmer 310, Farmer 311, GT380GT, GT390GT

KR-SHP386KR	Ball End
	OEM: F198300100020
	A: M22 x 1.5
	B: M18 x 1.5
	C: 19.9 - 22.2mm
	Farmer 309, Farmer 310, Farmer 311, GT380GT, GT390GT

KR-SHP393KR	Tie Rod End
	OEM: X800210047000/17000, X800210017
	A: M20 x 1.5
	B: M20 x 1.5
	C: 23.5 - 26.5mm
	309, 310, 311, 312, F360GT, F380GT(A), Farmer 105, Farmer 303, Farmer 304, Farmer 305, Farmer 306, Farmer 307, Farmer 307C/Ci, Farmer 308, Farmer 308C/Ci, Farmer 309, Farmer 310, Farmer 311, GT360GT, GT380GT

KR-SHP417KR

Track Rod Head



OEM:
A: M24 x 1.5
B: M20 x 1.5
C: 23.5 - 26mm

Farmer 308, Farmer 309, Favorit 610

KR-SHP485KR

Axial Ball End



OEM:
A: M20 x 1.5
B: M22 x 1.5
C: 185mm

F365GTA, F370GT(A), F380GT(A), F390GTA, F395GTA, Farmer 304, 305, 306, Farmer 307C/Ci, Farmer 308, Farmer 308C/Ci, Farmer 309, Farmer 309C/Ci, Farmer 310, 311, 312, Favorit 509, Favorit 511, 512, 514, 515, GF370GT, Xylon 520, Xylon 522, Xylon 524

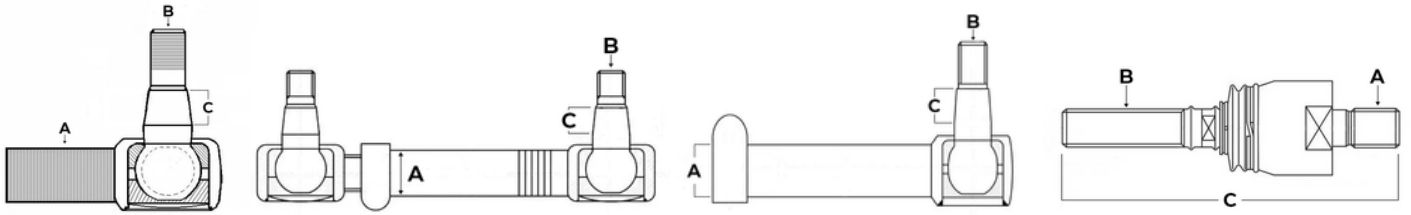
KR-SHP701KR

Axial Ball End



OEM: F816300100060
A: M30 x 1.5
B: M28 x 1.5
C: 235mm

Favorit 816, Favorit 818, Favorit 822, Favorit 824



KR-5126942GP Tie Rod	
	OEM:
	A: M24 x 1.5
	B: M18 x 1.5
	C: 19.8 - 22mm
	70/66 DT, 70/76, 70/88 DT, 70/90 DT, 80/66 DT, 80/76, 80/88 DT, 80/90 DT, 85/90 DT

KR-SHP003KR Tie Rod End	
	OEM: 81874903
	A: 1" - 16tpi
	B: M22 x 1.5
	C: 24.7 - 28mm

KR-SHP029KR Tie Rod End	
	OEM: 5117314
	A: M24 x 1.5
	B: M18 x 1.5
	C: 19.9 - 22.25mm

KR-SHP037KR Tie Rod End	
	OEM: 87455742
	A: M38 x 1.5
	B: M22 x 1.5
	C: 28.1 - 33mm


KR-SHP083KR Tie Rod End	
	OEM: 4961757
	A: M20
	B: M14 x 1.5
	C: 14.9 - 15.8mm
	550, 600, 640


KR-SHP084KR Drag Link	
	OEM:
	A:
	B: M14 x 1.5
	C: 14.9 - 15.8mm
	640


KR-SHP085KR Drag Link	
	OEM:
	A: M20
	B: M16 x 1.5
	C: 18.2 - 20.3mm
	450, 480, 500, 540, 600, 640

KR-SHP086KR Tie Rod End	
	OEM:
	A: 22mm
	B: M12 x 1.5
	C: 14.5 - 16.25mm
	450, 500

KR-SHP087KR	Tie Rod End
	OEM:
	A: M22 x 1.5
	B: M14 x 1.5
	C: 14.8 - 15.9mm
	450, 500

KR-SHP088KR	Tie Rod End
	OEM:
	A: M20
	B: M14 x 1.5
	C: 16.2 - 18.4mm
	580, 680, 780

KR-SHP089KR	Tie Rod End
	OEM: 5011757, 5109781
	A: 20mm
	B: M16 x 1.5
	C: 18.2 - 20.3mm
	1000, 1000S, 1300


KR-SHP091KR	Tie Rod
	OEM:
	A: M20 x 1
	B: M16 x 1.5
	C: 18.2 - 20.3mm
	466, 566, 580, 680, 50/66 DT, 55/66 DT, 55/76, 55/90 DT, 60/66 DT, 60/76, 60/90 DT, 60/94 DT


KR-SHP092KR	Tie Rod
	OEM:
	A: M24 x 1.5
	B: M16 x 1.5
	C: 18.2 - 20.3mm
	1000, 1000S, 1300


KR-SHP093KR	Tie Rod End
	OEM: 4954941, 5109527, 5124407, 5139858
	A: M20 x 1
	B: M14 x 1.5
	C: 16.2 - 18.4mm
	466, 566, 580, 666, 680, 780, 880, 880/5, 980, 35/66, 45/66, 45/66 DT, 45/76, 50/66, 55/66, 55/76, 55/90, 60/66, 60/90, 60/94, 65/66, 65/90, 65/94, 70/66, 70/90, 72/94, 80/90, 82/94, 88/94, 90/90, 100/90, 110/90, F100, F110, F115, F120, F130


KR-SHP094KR	Drag Link
	OEM: 4954942, 5109525
	A: 20mm
	B: M14 x 1.5
	C: 16.2 - 18.4mm
	580, 680, 780

KR-SHP095KR	Tie Rod End
	OEM: 4998775
	A: 20mm
	B: M14 x 1.5
	C: 16.2 - 18.4mm
	466, 566, 580, 666, 680, 780, 880, 880/5, 980, 45/66, 45/76, 50/66, 55/66, 55/76, 55/90, 60/66, 60/90, 60/93, 60/94, 65/66, 65/90, 65/93, 65/94, 70/66, 70/90, 72/93, 72/94, 80/66, 80/90, 82/93, 82/94, 85/90, 88/93, 88/94, 90/90, 100/90, 110/90, F100, F110, F115, F120, F130, F140


KR-SHP097KR	Tie Rod End
	OEM: 5131143
	A: M20 x 1
	B: M16 x 1.5
	C: 18.2 - 20.3mm
	45/66 DT, 45/76


KR-SHP098KR	Tie Rod
	OEM:
	A: M24 x 1.5
	B: M18 x 1.5
	C: 19.8 - 22mm
	90/90 DT, 100/90 DT, 110/90 DT


KR-SHP099KR	Tie Rod
	OEM: 5098651, 5098999, 84303366, 5098996
	A: M24 x 1.5
	B: M18 x 1.5
	C: 19.8 - 22mm
	45/66 DT, 45/76


KR-SHP101KR	Tie Rod
	OEM:
	A: M20 x 1
	B: M16 x 1.5
	C: 18.2 - 20.3mm
	90/90 DT, 100/90 DT, 110/90 DT


KR-SHP104KR	Tie Rod End
	OEM: 588309
	A: M20 x 1
	B: M14 x 1.5
	C: 14.9 - 15.8mm
	400, 450, 480, 500, 540, 550, 600, 640

KR-SHP105KR	Tie Rod End
	OEM: 589584, 594409, 596196
	A: 20mm
	B: M14 x 1.5
	C: 14.9 - 15.8mm
	400, 450, 480, 500, 540, 550, 600, 640

KR-SHP106KR	Tie Rod End
	OEM:
	A: 20mm
	B: M14 x 1.5
	C: 14.9 - 15.8mm
	400


KR-SHP107KR	Tie Rod End
	OEM:
	A: M20
	B: M14 x 1.5
	C: 14.9 - 15.8mm
	400, 450, 500


KR-SHP123KR	Tie Rod End
	OEM: 81822050
	A: 24mm
	B: M16 x 1.5
	C: 17.2 - 19.8mm

KR-SHP124KR	Tie Rod End
	OEM: 81817836, 81822051, 87554830
	A: 1" - 16tpi
	B: M16 x 1.5
	C: 17.2 - 19.8mm

KR-SHP132KR	Tie Rod End
	OEM: 81864114
	A: 7/8" - 14tpi
	B: M22 x 1.5
	C: 27.75 - 31.75mm

KR-SHP133KR	Tie Rod End
	OEM: 81864115
	A: 1.1/4" - 12tpi
	B: M22 x 1.5
	C: 27.75 - 31.75mm

KR-SHP137KR	Drag Link
	OEM: 83925158
	A: 32mm
	B: M16 x 1.5
	C: 17.2 - 19.8mm

KR-SHP138KR	Tie Rod
	OEM: 83927737
	A: M18 x 1.5
	B: M18 x 1.5
	C: 19.9 - 22.3mm

KR-SHP147KR	Tie Rod End
	OEM: 83947648
	A: 1" - 16tpi
	B: M16 x 1.5
	C: 21 - 23.75mm

KR-SHP148KR	Tie Rod End
	OEM: 83948951
	A: 7/8" - 14tpi
	B: M18 x 1.5
	C: 23.9 - 27.2mm

KR-SHP153KR	Tie Rod End
	OEM: 83957100
	A: M18 x 1.5
	B: M18 x 1.5
	C: 19.9 - 22.3mm

KR-SHP155KR	Tie Rod End
	OEM: 81878554, 83957751, 87713002, CAR48982, CAR49007
	A: M18 x 1.5
	B: M18 x 1.5
	C: 19.9 - 22.25mm


KR-SHP156KR	Tie Rod End
	OEM: 81878555
	A: M18 x 1.5
	B: M18 x 1.5
	C: 19.2 - 22.25mm

KR-SHP165KR	Tie Rod End
	OEM: 83984963
	A: M22 x 1.5
	B: M18 x 1.5
	C: 19.9 - 22.3mm

KR-SHP211KR	Tie Rod End
	OEM: 153326517
	A: M24 x 1.5
	B: M20 x 1.5
	C: 23.5 - 26.5mm

KR-SHP233KR	Tie Rod End
	OEM: 86507390, 86024884
	A: 1.1/4" - 12tpi
	B: M22 x 1.5
	C: 24.5 - 28mm

KR-SHP256KR	Tie Rod End
	OEM: 9955310
	A: M16 x 1.5
	B: M12 x 1.25
	C: 14.5 - 16.2mm


KR-SHP408KR	Tie Rod Complete
	OEM: 5135076
	A: M20 x 1
	B:
	C: 18 - 20.2mm


KR-SHP417KR	Track Rod Head
	OEM: 5198880
	A: M24 x 1.5
	B: M20 x 1.5
	C: 23.5 - 26mm


KR-SHP418KR	Track Rod
	OEM: 5194239
	A: M18 x 1.5
	B: M18 x 1.5
	C: 19.9 - 22.25mm

KR-SHP422KR	Tie Rod End
	OEM: 5085075, 5085076
	A: M20 x 1.5
	B: M18 x 1.5
	C: 20 - 22.2mm

KR-SHP450KR	Tie Rod End
	OEM: 81863813, 87494459
	A: 7/8" - 14tpi
	B: M27 x 1.5
	C: 30.7 - 35.3mm

KR-SHP455KR	Tie Rod Complete
	OEM: 5085084, 5086974
	A: M22 x 1.5
	B:
	C: 16.2 - 18.3mm

KR-SHP457KR	Tie Rod End
	OEM: 81864106, 87494456
	A:
	B:
	C: 23.9 - 27.4mm

KR-SHP459KR	Track Rod Complete
	OEM: 5168941
	A: M24 x 1.5
	B:
	C: 19.8 - 22mm

KR-VPJ3166	Steering End
	OEM:
	A: M24 x 1.5
	B: M16 x 1.5
	C: 18 - 20.2mm
850 DT, 850 DT Super, 850 Super, 880 DT, 880/5, 980 DT, 1000 DT, 1000 DT Super, 1000S, 1180, 1180 DT, 1300 DT Super, 1380, 1380 DT, 1580, 1580 DT, 1880, 1880 DT	

KR-VPJ3279

Steering End



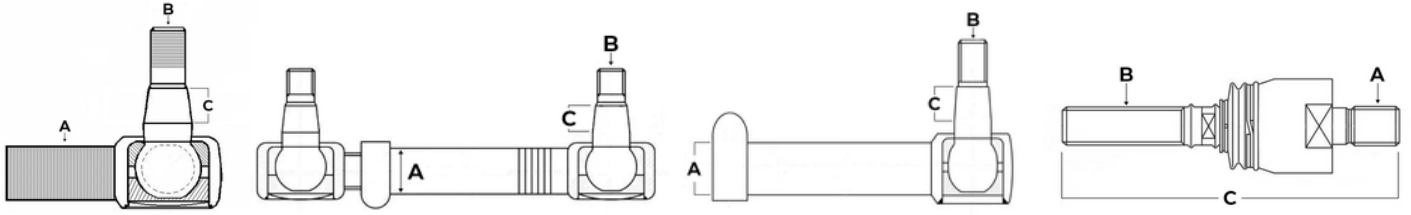
OEM:

A: M14 x 1.5

B: M14 x 1.5

C:

480, 500, 540, 550, 600, 640



KR-SHP076KR

Axial Ball End



OEM:	83957792, 83957096, ZP0750125010, 9968018, 83962754, CAR49013
A:	M22 x 1.5
B:	M24 x 1.5
C:	213mm
	4630, 5640, 6640, 7740, 7840, 7910, 8210, 8240, 8340, TW5, TW15, TW25

KR-SHP093KR

Tie Rod End



OEM:	
A:	M20 x 1
B:	M14 x 1.5
C:	16.2 - 18.4mm
	3435, 3935, 4135

KR-SHP095KR

Tie Rod End



OEM:	
A:	20mm
B:	M14 x 1.5
C:	16.2 - 18.4mm
	3435, 3935, 4135

KR-SHP097KR

Tie Rod End



OEM:	
A:	M20 x 1
B:	M16 x 1.5
C:	18.2 - 20.3mm
	3435, 3935, 4135

KR-SHP108KR

Tie Rod End



OEM:	
A:	1 1/16" - 18tpi
B:	M14 x 1.5
C:	17.2 - 18.8mm
	2000, 2310, 2600, 2610, 2910, 3000, 3600, 3610, 3910, 4100

KR-SHP109KR

Tie Rod



OEM:	
A:	19mm
B:	M14 x 1.5
C:	17.2 - 18.8mm
	3230, 3430, 4000, 4130, 4600, 4610, 4630, 4830, 5030

KR-SHP111KR

Tie Rod End



OEM:	
A:	24mm
B:	M16 x 1.5
C:	17.2 - 19.8mm
	5000

KR-SHP112KR


Tie Rod End




OEM:	
A:	24mm
B:	M16 x 1.5
C:	17.2 - 19.8mm
	5000

KR-SHP113KR Tie Rod End	
	OEM:
	A: 11/16" - 18tpi
	B: M12 x 1.5
	C: 14.5 - 16mm
	2000, 2310, 2600, 2610, 2910, 3000, 3600, 3610, 3910, 4100


KR-SHP114KR Tie Rod End	
	OEM:
	A: 3/4" - 16tpi
	B: M12 x 1.5
	C: 14.88 - 15.9mm
	2310, 2600, 2610, 2910, 3600, 3610, 3910, 4100, 4110, 4610

KR-SHP115KR Tie Rod End	
	OEM:
	A: 3/4" - 16tpi
	B: M14 x 1.5
	C: 17.2 - 18.8mm
	2310, 2600, 2610, 2910, 3600, 3610, 3910, 4100, 4110, 4610


KR-SHP116KR Tie Rod End	
	OEM:
	A: 3/4" - 16tpi
	B: M14 x 1.5
	C: 17.2 - 18.8mm
	2310, 2600, 2610, 2910, 3600, 3610, 3910, 4100, 4110, 4610

KR-SHP117KR Tie Rod End	
	OEM:
	A: 3/4" - 16tpi
	B: M14 x 1.5
	C: 17 - 19.7mm
	3230, 3430, 4000, 4130, 4600, 4610, 4630, 4830, 5030

KR-SHP119KR Tie Rod End	
	OEM:
	A: 1" - 16tpi
	B: M18 x 1.5
	C: 19.5 - 23.3mm
	5000


KR-SHP120KR Drag Link	
	OEM:
	A: M22
	B: M14 x 1.5
	C: 17.2 - 18.8mm
	3230, 3430, 4000, 4130, 4600, 4610, 4630, 4830, 5030

KR-SHP121KR Tie Rod End	
	OEM:
	A: M24
	B: M16 x 1.5
	C: 17.2 - 19.8mm
	5000, 5600, 5610, 6600, 6610, 7000, 7600, 7610

KR-SHP122KR Tie Rod End	
	OEM:
	A: 24mm
	B: M16 x 1.5
	C: 17.2 - 19.8mm
	5000, 5600, 5610, 6600, 6610, 7000, 7600, 7610

KR-SHP123KR Tie Rod End	
	OEM: C7NN3281A
	A: 24mm
	B: M16 x 1.5
	C: 17.2 - 19.8mm
	5000, 5600, 5610, 6600, 6610, 7000, 7600, 7610


KR-SHP124KR	Tie Rod End
	OEM: C7NN3289D, C5NN3307E
	A: 1" - 16tpi
	B: M16 x 1.5
	C: 17.2 - 19.8mm
	5000, 5600, 5610, 6600, 6610, 7000, 7600, 7610


KR-SHP125KR	Tie Rod End
	OEM:
	A: 23.8mm
	B: M16 x 1.5
	C: 17.2 - 19.8mm
	5000, 5600, 5610, 6410, 6600, 6610, 7000, 7600

KR-SHP126KR	Tie Rod End
	OEM:
	A: 15/16" - 16tpi
	B: M16 x 1.5
	C: 17.2 - 19.8mm
	5000, 5600, 5610, 6410, 6600, 6610, 7000, 7600

KR-SHP127KR	Drag Link
	OEM:
	A: 24mm
	B: M16 x 1.5
	C: 17 - 23mm
	5000, 5600, 5610, 6410, 6600, 6610, 7000, 7600

KR-SHP128KR	Tie Rod End
	OEM:
	A: 24mm
	B: M16 x 1.5
	C: 17.2 - 19.8mm
	5000, 5600, 5610, 6410, 6600, 6610, 7000, 7600


KR-SHP129KR	Drag Link
	OEM:
	A: 22mm
	B: M14 x 1.5
	C: 17.2 - 18.8mm
	3230, 3430, 4000, 4130, 4600, 4630, 4830, 5030


KR-SHP130KR	Tie Rod
	OEM:
	A: M24 x 1.5
	B: M20 x 1.5
	C: 23.4 - 26.4mm
	8240, 8340

KR-SHP131KR	Tie Rod
	OEM:
	A: M24 x 1.5
	B: M20 x 1.5
	C: 23.4 - 26.4mm
	8240, 8340


KR-SHP132KR	Tie Rod End
	OEM: 81864114
	A: 7/8" - 14tpi
	B: M22 x 1.5
	C: 27.75 - 31.75mm
	5640, 6640, 7740, 7840


KR-SHP133KR	Tie Rod End
	OEM:
	A: 1.1/4" - 12tpi
	B: M22 x 1.5
	C: 27.75 - 31.75mm
	5640, 6640, 7740, 7840

KR-SHP134KR Tie Rod End	
	OEM:
	A: M24 x 1.5
	B: M20 x 1.5
	C: 23.5 - 26.5mm
	5640, 6640, 7740, 7840


KR-SHP135KR Tie Rod End	
	OEM:
	A: M24 x 1.5
	B: M20 x 1.5
	C: 23.5 - 26.5mm
	5640, 6640, 7740, 7840


KR-SHP136KR Tie Rod End	
	OEM:
	A: 1" - 16tpi
	B: M22 x 1.5
	C: 27.5 - 31.5mm
	6700, 6710, 7700, 7710, 7910, 8210, 8730, 8830, TW25, TW30, TW35


KR-SHP137KR Drag Link	
	OEM: 81822052
	A: 32mm
	B: M16 x 1.5
	C: 17.2 - 19.8mm
	4100, 4600, 5000, 5100, 5600, 5610, 6600, 6610, 6710, 7410, 7610, 7710

KR-SHP138KR Tie Rod	
	OEM:
	A: M18 x 1.5
	B: M18 x 1.5
	C: 19.9 - 22.3mm
	5610, 6610, 6710, 7610, 7710, 7910, 8210


KR-SHP139KR Tie Rod End	
	OEM:
	A: 1" - 16tpi
	B: M16 x 1.5
	C: 17.2 - 19.8mm
	6700, 6710, 7700, 7710, 7910, 8210, 8730, 8830, TW25, TW30, TW35

KR-SHP140KR Tie Rod End	
	OEM:
	A: 24mm
	B: M16 x 1.5
	C: 17.2 - 19.8mm
	6700, 6710, 7700, 7710, 7910, 8210, 8530, 8630, TW5, TW10, TW15, TW20


KR-SHP141KR Drag Link	
	OEM:
	A: 22mm
	B: M16 x 1.5
	C: 18 - 20mm
	3230, 3430, 4130, 4610, 4630, 4830, 5030

KR-SHP142KR Tie Rod	
	OEM:
	A: 22mm
	B: M16 x 1.5
	C: 17.9 - 20.15mm
	3230, 3430, 4130, 4610, 4630, 4830, 5030


KR-SHP143KR Tie Rod	
	OEM:
	A: M24 x 1.5
	B: M20 x 1.5
	C: 23.4 - 26.4mm
	TW5, TW15, TW25

KR-SHP144KR Tie Rod End	
	OEM:
	A: 7/8" - 18tpi
	B: M22 x 1.5
	C: 27.5 - 31.5mm
	6700, 6710, 7700, 7710, 7910, 8210, 8530, 8630, 8730, 8830, TW5, TW10, TW15, TW20, TW25, TW30, TW35


KR-SHP145KR Tie Rod	
	OEM:
	A: M18 x 1.5
	B: M20 x 1.5
	C: 23.4 - 26.4mm
	6710, 7610, 7710, 7910, 8210


KR-SHP146KR Tie Rod	
	OEM:
	A: M18 x 1.5
	B: M20 x 1.5
	C: 23.4 - 26.4mm
	6710, 7610, 7710, 7910, 8210

KR-SHP147KR Tie Rod End	
	OEM: E3NN3289AA, 2980040
	A: 1" - 16tpi
	B: M16 x 1.5
	C: 21 - 23.75mm
	3010S, 4010S, 5010S, 5110, 5610, 5610S, 6410, 6610, 6610S, 6810, 6810S, 7010, 7610, 7610S, 7810, 7810S, 8010


KR-SHP148KR Tie Rod End	
	OEM:
	A: 7/8" - 14tpi
	B: M18 x 1.5
	C: 23.9 - 27.2mm
	5110, 5610, 6410, 6610, 6810, 7610, 7810

KR-SHP149KR Tie Rod End	
	OEM:
	A: 1-1/4" - 12tpi
	B: M18 x 1.5
	C: 23.9 - 27.2mm
	5110, 5610, 6410, 6610, 6810, 7610, 7810


KR-SHP150KR Tie Rod End	
	OEM:
	A: M22 x 1.5
	B: M18 x 1.5
	C: 19.9 - 22.3mm
	5610, 6610, 6710, 7610, 7710

KR-SHP151KR Tie Rod	
	OEM:
	A: M22 x 1.5
	B: M18 x 1.5
	C: 19.9 - 22.3mm
	5610, 6610, 6710, 7610, 7710

KR-SHP152KR Axial Ball End	
	OEM:
	A: M22 x 1.5
	B: M28 x 1.5
	C: 224mm
	8730, 8830, TW25, TW35


KR-SHP153KR Tie Rod End	
	OEM:
	A: M18 x 1.5
	B: M18 x 1.5
	C: 19.9 - 22.3mm
	5610, 6610, 6710, 7610, 7710, 7910, 8210

KR-SHP154KR	Axial Ball End
	OEM: 83957148
	A: M20 x 1.5
	B: M18 x 1.5
	C: 182mm
	3230, 3430, 4130, 4630, 4830, 5030, 5110, 5610, 6410, 6610, 6810, 7610, 7710, 7810, 7910


KR-SHP155KR	Tie Rod End
	OEM:
	A: M18 x 1.5
	B: M18 x 1.5
	C: 19.9 - 22.25mm
	5110, 5610, 6410, 6610, 6810, 7610, 7710, 7810, 7910

KR-SHP156KR	Tie Rod End
	OEM:
	A: M18 x 1.5
	B: M18 x 1.5
	C: 19.9 - 22.25mm
	5110, 5610, 6410, 6610, 6810, 7610, 7710, 7810, 7910

KR-SHP157KR	Tie Rod End
	OEM: 82980034, 83957771, 2980034
	A: 25mm
	B: M16 x 1.5
	C: 21 - 23.7mm
	3010S, 4010S, 5010S, 5110, 5610, 5610S, 6410, 6610, 6610S, 6710, 6810, 6810S, 7410, 7610, 7610S, 7710, 7810, 7810S


KR-SHP158KR	Axial Ball End
	OEM:
	A: M22 x 1.5
	B: M24 x 1.5
	C: 213mm
	5640, 6640, 7740, 7840, 8210, 8240, 8340


KR-SHP159KR	Tie Rod End
	OEM:
	A: M28 x 1.5
	B: M26
	C: 29 - 32.2mm
	8730, 8830, TW25, TW35


KR-SHP160KR	Tie Rod End
	OEM:
	A: M28 x 1.5
	B: M26
	C: 29 - 32.2mm
	8730, 8830, TW25, TW35

KR-SHP161KR	Tie Rod End
	OEM:
	A: M18 x 1.5
	B: M20 x 1.5
	C: 23.4 - 26.4mm
	6710, 7610, 7710, 7910, 8210, TW5, TW15, TW25

KR-SHP162KR	Tie Rod End
	OEM:
	A: M24 x 1.5
	B: M24 x 1.5
	C: 27.15 - 30.15mm
	8530, 8630, TW5, TW15

KR-SHP163KR	Tie Rod End
	OEM:
	A: M24 x 1.5
	B: M24 x 1.5
	C: 27.15 - 30.15mm
	8530, 8630, TW5, TW15


KR-SHP164KR Tie Rod End	
	OEM:
	A: M22 x 1.5
	B: M18 x 1.5
	C: 19.9 - 22.3mm
	5610, 6610, 6710, 7610, 7710

KR-SHP165KR Tie Rod End	
	OEM:
	A: M22 x 1.5
	B: M18 x 1.5
	C: 19.9 - 22.3mm
	5610, 6610, 6710, 7610, 7710


KR-SHP240KR Axial Ball End	
	OEM: 83957792
	A: M22 x 1.5
	B: M24 x 1.5
	C: 213mm
	8210


KR-SHP416KR Tie Rod End	
	OEM: 1864100
	A:
	B: 3/4"
	C: 23.9 - 27.5mm
	5640, 6640, 7740, 7840, 8240, 8340


KR-SHP457KR Tie Rod End	
	OEM:
	A:
	B:
	C: 23.9 - 27.4mm
	5640, 6640, 7740, 7840, 8240, 8340


KR-SHP459KR Track Rod Complete	
	OEM: 5168941
	A: M24 x 1.5
	B:
	C: 19.8-22mm


KR-SHP485KR Axial Ball End	
	OEM:
	A: M20 x 1.5
	B: M22 x 1.5
	C: 185mm
	5110, 5610, 6610, 6710, 7610, 7710

KR-SHP505KR Drag Link	
	OEM: 83953209
	A: M24 x 1.5
	B: M20 x 1.5
	C: 23.5 - 26.5mm
	7910, 8210, TW5, TW15, TW25


KR-SHP526KR Tie Rod End	
	OEM: ZP0501206190, 83959474, 83984962
	A: M22 x 1.5
	B: M18 x 1.5
	C: 19.9 - 22.3mm
	5110, 5610, 6410, 6610, 6710, 6810, 7410, 7610, 7710

KR-SHP527KR Tie Rod End	
	OEM:
	A: M22 x 1.5
	B: M18 x 1.5
	C: 19.9 - 22.3mm
	5110, 5610, 6610, 6710, 7610, 7710


KR-SHP529KR	Tie Rod End
	OEM:
	A: M18 x 1.5
	B: M20 x 1.5
	C: 23.5 - 26.5mm
	6710, 7610, 7710, 7910, 8210, TW5, TW15, TW25

KR-VPJ3040	Rear Drag Link
	OEM:
	A:
	B: 1/2" - 20tpi
	C: 3055, 4000, 4100, 4600

KR-VPJ3047	Rear Drag Link
	OEM:
	A:
	B: M16 x 1.5
	C:
	5000, 5100, 5600, 5610, 6600, 6610, 7000, 7600

KR-VPJ3053	Drag Link
	OEM:
	A:
	B: M16 x 1.5
	C:
	5000, 5100, 5600, 5610, 6600, 6610, 7000, 7600

KR-VPJ3183	Steering End
	OEM:
	A: M24 x 1.5
	B: M20 x 1.5
	C: 23.5 - 26.4mm
	8240, 8340

KR-VPJ3184	Steering End
	OEM:
	A: M24 x 1.5
	B: M20 x 1.5
	C: 23.5 - 26.4mm
	8240, 8340

KR-VPJ3191	Steering End
	OEM:
	A: M22 x 1.5
	B: M14 x 1.5
	C: 18.5 - 20.4mm
	4600, 4610

KR-VPJ3192	Steering End
	OEM:
	A: M22 x 1.5
	B: M14 x 1.5
	C: 18.3 - 20.5mm
	4600, 4610,

KR-VPJ3202	Steering End
	OEM:
	A: M24 x 1.5
	B: M20 x 1.5
	C: 23.5 - 26.4mm
	8210


KR-VPJ3206	Steering End
	OEM:
	A: M18 x 1.5
	B: M20 x 1.5
	C:
	6710, 7610, 7710, 7910, 8210

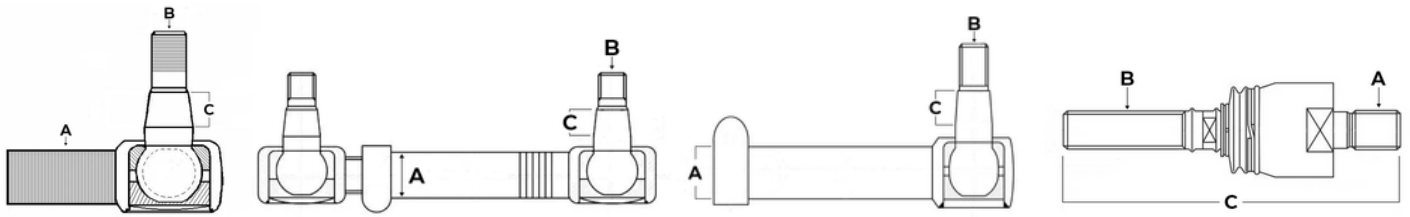
KR-VPJ3463 Steering End	
	OEM:
	A: M28 x 1.5
	B: 3/4" - 16tpi
	C: 23.88 - 26.6mm
	5640, 6640, 7740, 7840

KR-VPJ3464 Outer Steering End	
	OEM:
	A:
	B: M19 x 1.5
	C: 23.8 - 27.4mm
	5640, 6640, 7740, 7840

KR-83949861N Seal Kit Steering Cylinder	
	OEM:
	A:
	B:
	C:
	5110, 5640, 6410, 6610, 6640, 6810, 7610, 7740, 7810, 7840

KR-VPJ4089 Seal Kit	
	OEM:
	A:
	B:
	C:
	5110, 5610, 5900, 6410, 6610, 6810, 7610, 7710, 7810, 7910

KR-VPJ4244 Power Steering Arm	
	OEM:
	A:
	B:
	C:
	3055, 4000, 5000



KR-SHP243KR

Tie Rod End



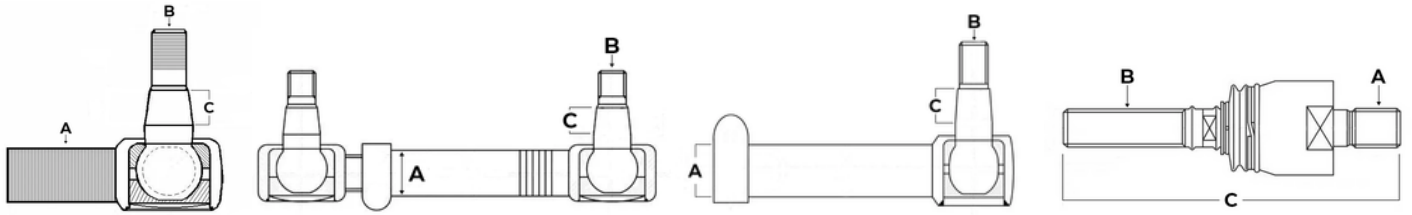
OEM:


A: M22 x 1.5

B: M14 x 1.5

C: 16.2 - 18.3mm

H356, H358, H358.4, H466, H468,
H468.4, H476, H478, H478-4, H486,
H488, H4105, XT908, XT909, XT910.4,
XT910.6



KR-AH21346N Blade Head	
	OEM: AH21346
	A:
	B:
	C:
Various Combine Harvestors	

KR-SHP076KR Axial Ball End	
	OEM: AL168711, AL80542, AL60161
	A: M22 x 1.5
	B: M24 x 1.5
	C: 213mm
2040S, 2140, 2750, 2950, 3040, 3050, 3140, 3340, 3350	


KR-SHP081KR Tie Rod End	
	OEM: AL178019
	A: M24 x 1.5
	B: M20 x 1.5
	C: 23.4 - 26.4mm


KR-SHP167KR Axial Ball End	
	OEM: AL160543, AL160202
	A: M26 x 1.5
	B: M28 x 1.5
	C: 234mm
6820, 6830, 6920, 6920S, 6930, 7430, 7530	

KR-SHP168KR Tie Rod End	
	OEM: AL160203, AL160542, AL209601
	A: M28 x 1.5
	B: M27 x 1.5
	C: 28.8 - 32.3mm
6135R, 6145R, 6155R, 6175R, 6195R, 6820, 6830, 6920, 6920S, 6930	

KR-SHP175KR Tie Rod End	
	OEM: AL110074, AL38645
	A: M24 x 1.5
	B: M18 x 1.5
	C: 19.9 - 22.1mm
3030, 3120, 3130	


KR-SHP176KR Tie Rod	
	OEM: AL38646
	A: 22mm
	B: M18 x 1.5
	C: 19.9 - 22.1mm
3030, 3120, 3130	

KR-SHP185KR Drag Link	
	OEM: AL82836/38638/34935/39035/19807/178095
	A:
	B: M16 x 1.5
	C: 16.3 - 18.77mm
2020, 2120	


KR-SHP190KR	Inner Tie Rod
	OEM: AL168701, AL68254
	A: M28 x 1.5
	B: M20 x 1.5
	C: 23.6 - 26.2mm
	3050, 3140, 3350, 3640, 3650

KR-SHP191KR	Inner Tie Rod
	OEM: AL168702, AL68255
	A: M28 x 1.5
	B: M20 x 1.5
	C: 23.6 - 26.2mm
	3050, 3140, 3350, 3640, 3650


KR-SHP240KR	Axial Ball End
	OEM: EQ501474
	A: M22 x 1.5
	B: M24 x 1.5
	C: 213mm
	2140, 2750, 2950, 3040, 3050, 3140, 3350, 4400, 4500, 6010, 6020, 6020SE, 6110, 6120, 6120SE, 6130, 6220, 6220SE, 6230, 6300, 6310, 6330, 6400, 6410, 6430, 6506, 6510, 6600, 6610, 6800, 6810

KR-SHP262KR	Tie Rod End
	OEM: M036786
	A: M22 x 1.5
	B: M20 x 1.5
	C: 23.4 - 26.4mm

KR-SHP268KR	Tie Rod End
	OEM: M046738
	A: M22 x 1.5
	B: M20 x 1.5
	C: 23.5 - 26.5mm

KR-SHP269KR	Tie Rod End
	OEM: M046740
	A: M22 x 1.5
	B: M20 x 1.5
	C: 23.5 - 26.5mm

KR-SHP330KR	Axial Ball End
	OEM: AL116020
	A: M26 x 1.5
	B: M28 x 1.5
	C: 234mm
	6810, 6910, 6910S

KR-SHP392KR	Tie Rod End
	OEM: AL39020
	A: 1.1/8" - 12tpi
	B: M14 x 1.5
	C: 16.2 - 18.7mm
	820, 830, 840, 920, 930, 940, 1020, 1030, 1040, 1120, 1130, 1140, 1350, 1550, 1630, 1640, 1750, 1840, 1850, 1950, 1950N, 2020, 2120, 2240

KR-SHP395KR	Tie Rod
	OEM: RE212812
	A: M24 x 1.5
	B: M20 x 1.5
	C: 23.5 - 26.5mm
	5080R, 5090R, 5100R, 5620, 5720, 5820

KR-SHP397KR	Axial Ball End
	OEM: AL160543, AL209420
	A: M26 x 1.5
	B: M28 x 1.5
	C: 234mm
	6130M, 6130R, 6135R, 6140M, 6140R, 6150R, 6520, 6530, 6534, 6620, 6630, 7130, 7230, SE6320, SE6420, SE6520, SE6620

KR-SHP405KR	Tie Rod End
	OEM: RE261925
	A: 1-1/4" - 12tpi
	B: 1-1/8" - 12tpi
	C: 32.2 - 38.2mm
	7330, 7420, 7630, 7720, 7730, 7820, 7830, 7920, 7930

KR-SHP407KR	Tie Rod End
	OEM: AL168702, AL68255
	A: M28 x 1.5
	B: M20 x 1.5
	C: 23.5 - 26.5mm
3050, 3140, 3350, 3640, 3650	

KR-SHP412KR	Tie Rod End
	OEM: RE261926
	A: 1-1/4" - 12tpi
	B: 1-1/8" - 12tpi
	C: 32.2 - 38.2mm
	7210, 7330, 7410, 7420, 7510, 7610, 7630, 7710, 7720, 7730, 7810, 7820, 7830, 7920, 7930

KR-SHP426KR	Tie Rod End
	OEM: AL151995
	A: M24 x 1.5
	B: M20 x 1.5
	C: 24.65 - 28.53mm
	6020, 6120, 6220, 6320, 6420, SE6020, SE6120, SE6220, SE6320, SE6420


KR-SHP431KR	Tie Rod End
	OEM: AL177980, AL110923, AL119379
	A: M28 x 1.5
	B: M27 x 1.5
	C: 28 - 32.3mm
	6900, 6910, 6910S, 6920, 6920S, 7500, 7510


KR-SHP432KR	Axial Ball End
	OEM: LVU14531
	A: 15/16" - 20tpi
	B: 1/2" - 20tpi
	C: 135mm
	4200, 4210, 4300, 4310, 4400, 4500, 4600, 4700

KR-SHP433KR	Tie Rod End
	OEM:
	A: M28 x 1.5
	B: M20 x 1.5
	C: 23.5 - 26.5mm
	3050, 3140, 3350, 3640, 3650

KR-SHP436KR	Tie Rod End
	OEM: AL37498
	A: M30 x 1.5
	B: M27 x 1.5
	C: 28.8 - 32.3mm
	4350

KR-SHP437KR	Tie Rod End
	OEM: AL37499
	A: M30 x 1.5
	B: M27 x 1.5
	C: 28.8 - 32.3mm
	4350

KR-SHP438KR	Tie Rod End
	OEM: AL38637
	A: M22 x 1.5
	B: M18 x 1.5
	C: 19.9 - 22.1mm
	1640, 1830, 1840, 2030, 2040, 2040S, 2130, 2140, 2250, 2450, 2650, 2850

KR-SHP439KR	Tie Rod End
	OEM:
	A: M18 x 1.5
	B: M18 x 1.5
	C: 19.9 - 22.25mm
	5300N, 5310N, 5400N, 5410N, 5500N, 5510N

KR-SHP461KR	Tie Rod End
	OEM: LVU14549
	A: 1/2" - 20tpi
	B:
	C: 19.4 - 22.3mm
	4200, 4210, 4300, 4310, 4400, 4500, 4600, 4700

KR-SHP462KR	Tie Rod End
	OEM:
	A: M24 x 1.5
	B: M22 x 1.5
	C: 24.65 - 28.53mm
	6090M, 6095M, 6100M, 6105M, 6105R, 6110M, 6115M, 6115R, 6120M, 6125M, 6125R, 6130M, 6130R, 6140M, 6530, 6630, 7130, 7230


KR-SHP464KR	Tie Rod End
	OEM: AL82826
	A: M24 x 1.5
	B: M18 x 1.5
	C: 19.9 - 22.1mm
	1640, 1840


KR-SHP465KR	Tie Rod End
	OEM: AR63592
	A: 25.3mm
	B:
	C: 16.8 - 20.5mm
	4040, 4050, 4240, 4250, 4440, 4450


KR-SHP468KR	Tie Rod End
	OEM: AL116022, AL177970
	A: M28 x 1.5
	B: M27 x 1.5
	C: 28.8 - 32.3mm
	6910, 6910S

KR-SHP469KR	Tie Rod End
	OEM:
	A: M24 x 1.5
	B: M18 x 1.5
	C: 19.9 - 22.1mm
	1640, 1840, 2040, 2040S, 2140, 2250, 2450, 2650, 2850


KR-SHP470KR	Tie Rod End
	OEM: RE271441
	A: M22 x 1.5
	B: M20 x 1.5
	C: 23.4 - 26.4mm
	5055E, 5065E, 5075E, 5075M, 5085E, 5085M, 5095E, 5115M

KR-SHP471KR	Tie Rod End
	OEM:
	A: M18 x 1.5
	B: M18 x 1.5
	C: 19.9 - 22.35mm
	5220, 5320, 5420, 5520


KR-SHP473KR	Tie Rod End
	OEM: AL37754
	A:
	B: M24 x 1.5
	C: 19.9 - 22.3mm
	940, 1040, 1140, 1550, 1640, 1750, 1840, 1850, 2040, 2040S


KR-SHP475KR	Tie Rod End
	OEM:
	A: M18 x 1.5
	B: M18 x 1.5
	C: 19.9 - 22.25mm
	5220, 5320, 5420, 5520

KR-SHP476KR	Tie Rod End
	OEM: AL204775, AL161298
	A: M24 x 1.5
	B: M22 x 1.5
	C: 23.5 - 26.5mm
	6020, 6120, 6130, 6220, 6230, SE6020, SE6120, SE6220, SE6320, SE6420

KR-SHP477KR	Tie Rod End
	OEM:
	A: M18 x 1.5
	B: M18 x 1.5
	C: 19.9 - 22.25mm
	5210, 5220, 5310, 5320, 5410, 5420, 5510, 5520

KR-SHP478KR	Tie Rod End
	OEM:
	A: M18 x 1.5
	B: M18 x 1.5
	C: 19.9 - 22.25mm
	5300N, 5310N, 5400N, 5410N, 5500N, 5510N

KR-SHP479KR	Drag Link End
	OEM:
	A:
	B: M18 x 1.5
	C: 19.9 - 22.3mm
	940, 1040, 1140

KR-SHP481KR	Drag Link End
	OEM:
	A:
	B: M24 x 1.5
	C: 19.9 - 22.1mm
	1640, 1840, 2040, 2140, 2250, 2450, 2650, 2850

KR-SHP482KR	Drag Link Assembly
	OEM: AL178288
	A: M24 x 1.5
	B: M20 x 1.5
	C: 23.5 - 26.5mm
	5620

KR-SHP490KR	Axial Ball End
	OEM: AL68253, AL110918, AL177977
	A: M24 x 1.5
	B: M28 x 1.5
	C: 235mm
	3040, 3050, 3140, 3350, 3640, 3640S, 3650


KR-SHP492KR	Axial Ball End
	OEM:
	A: M20 x 1.5
	B: M18 x 1.5
	C: 177mm
	3100, 3110, 3200, 3210, 3300, 3310, 3400, 3410, 5080G, 5090G, 5100G, 5300N, 5310N, 5320N, 5400N, 5410N, 5420N, 5500N, 5510N, 5520N


KR-SHP493KR	Axial Ball End
	OEM: AL80541
	A: M20 x 1.5
	B: M22 x 1.5
	C: 185mm
	6100, 6200, 6300, 6400, 6500, SE6100, SE6200, SE6300, SE6400

KR-SHP494KR Axial Ball End	
	OEM: ^{A52166,} AL68253/55432/168703/110918/177977
	A: M24 x 1.5
	B: M28 x 1.5
	C: 235mm
	6900, 6910, 6910S, 6920, 6920S, 7500

KR-SHP501KR Tie Rod End	
	OEM:
	A: M18 x 1.5
	B: M18 x 1.5
	C: 20 - 22mm
	5200, 5210, 5220, 5300, 5310, 5320, 5400, 5410, 5415, 5420, 5425, 5500, 5510, 5520, 5615, 5625, 5715, 5725

KR-SHP503KR Axial Ball End	
	OEM: ER351940
	A: M20 x 1.5
	B: M18 x 1.5
	C: 150mm
	5300N, 5310N, 5400N, 5410N, 5500N, 5510N


KR-SHP506KR Tie Rod End	
	OEM:
	A: M24 x 1.5
	B: M22 x 1.5
	C: 24.6 - 28.5mm
	3100, 3110, 3200, 3210, 3300, 3310, 3400, 3410, 5220, 5320, 5420, 5520

KR-SHP507KR Tie Rod End	
	OEM:
	A: M18 x 1.5
	B: M18 x 1.5
	C: 19.9 - 22.25mm
	3100, 3110, 3200, 3210, 3300, 3310, 3400, 3410, 5220, 5320, 5420, 5520

KR-SHP512KR Steering Cylinder Ball End	
	OEM: AL32866
	A: M24 x 1.5
	B: M27 x 1.5
	C: 28.8 - 32.3mm
	1640, 1840, 2040, 2040S, 2140, 3040, 3140


KR-SHP515KR Tie Rod End	
	OEM:
	A: M18 x 1.5
	B: M18 x 1.5
	C: 19.9 - 22.25mm
	5075G, 5090G


KR-SHP517KR Steering Cylinder Ball End	
	OEM: AL32867
	A: M24 x 1.5
	B: M27 x 1.5
	C: 28.8 - 32.3mm
	1640, 1840, 2040, 2040S, 2140, 3040, 3140


KR-SHP518KR Tie Rod End	
	OEM: AL56439
	A: M24 x 1.5
	B: M20 x 1.5
	C: 23.5 - 26.5mm
	2140, 3040, 3050, 3140, 3150, 3340, 3350

KR-SHP521KR Tie Rod End	
	OEM: AL110956
	A: M22 x 1.5
	B: M20 x 1.5
	C: 21.55 - 25.3mm
	6100, 6200, 6300, 6400, 6500, SE6100, SE6200, SE6300, SE6400

KR-SHP523KR Tie Rod End	
	OEM: AL110957
	A: M22 x 1.5
	B: M20 x 1.5
	C: 21.55 - 25.3mm
	6100, 6200, 6300, 6400, 6500, SE6100, SE6200, SE6300, SE6400

KR-SHP524KR Tie Rod End	
	OEM:
	A: M24 x 1.5
	B: M20 x 1.5
	C: 23.5 - 26.5mm
	2140, 3040, 3050, 3140, 3150, 3340, 3350

KR-SHP525KR Tie Rod End	
	OEM: AL38014
	A:
	B:
	C:
	2140, 3040, 3140, 3340

KR-SHP528KR Tie Rod End	
	OEM: AL58014
	A:
	B:
	C:
	3150

KR-SHP535KR Tie Rod End	
	OEM: ER350438, RE61836
	A: M18 x 1.5
	B: M18 x 1.5
	C: 19.9 - 22.25mm
	5075G, 5100G, 5215F/V, 5300N, 5310N, 5315F/V, 5320N, 5400N, 5410N, 5420N, 5500N, 5510N, 5515F/V, 5520N, 5615F/V

KR-SHP536KR Tie Rod End	
	OEM: ER350957, RE61833
	A: M18 x 1.5
	B: M18 x 1.5
	C: 19.9 - 22.25mm
	5075G, 5100G, 5215F/V, 5300N, 5310N, 5315F/V, 5320N, 5400N, 5410N, 5420N, 5500N, 5510N, 5515F/V, 5520N, 5615F/V

KR-SHP550KR Tie Rod	
	OEM: AL178092, AL39026, AT26382
	A:
	B:
	C:
	3120

KR-SHP785KR Axial Joint	
	OEM: AL65002, AL160202, AL209419
	A: M26 x 1.5
	B: M28 x 1.5
	C: 240mm
	1550, 1750, 1850, 1950

KR-VPJ3073 Threaded Steering End	
	JXAL177946, AL177946, AL37504, OEM: AL82826
	A: M24 x 1.5
	B: M18 x 1.5
	C: 20 - 21.6mm
	1640, 1830, 1840, 2030, 2040, 2040S, 2130, 2140, 2250, 2450, 2650, 2850

KR-VPJ3310 Tie Rod Assembly	
	OEM: JXAL38637, AL38637, AL82828
	A: M18 x 1.5
	B: M18 x 1.5
	C: 20 - 22mm
	1640, 1830, 1840, 2030, 2040, 2040S, 2130, 2140, 2250, 2450, 2650, 2850

KR-VPJ3315

Tie Rod End



OEM: JXAT23885, AL39022, AT23885

A: 20mm

B: M14 x 1.5

C: 16 - 18mm

820, 830, 920, 930, 1040, 1140, 1550, 1750,
1850, 1950N, 2240

KR-VPJ3579

Axial Ball Joint



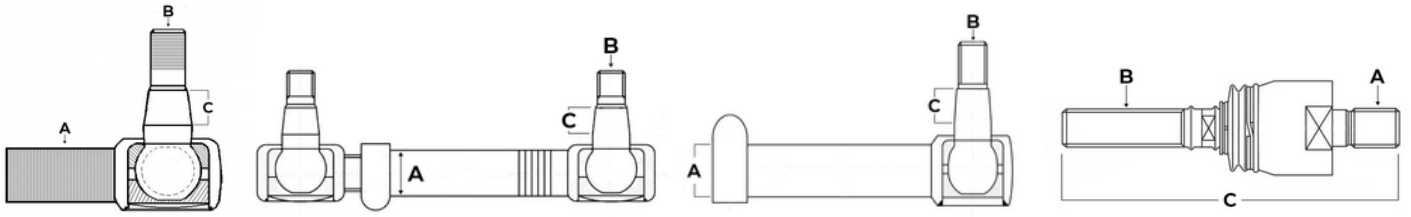
OEM: JXAL161302, AL161302

A: M22 x 1.5


B: M24 x 1.5

C: 210mm

6020, 6120, 6130, 6215, 6220, 6225, 6230,
6320, 6330, 6420, 6420S, 6430, SE6020,
SE6120, SE6220, SE6320, SE6420,
SE6520



KR-SHP243KR Tie Rod End

	OEM:
	A: M22 x 1.5
	B: M14 x 1.5
	C: 16.2 - 18.3mm
	573-60N, 574-60N, 674-70, 774-80, 874-90 Turbo, Cross 574-60, Cross 674-70, Formula 105, Grand Prix 674-70, Grand Prix 774-80, Grand Prix 874-90 Turbo, Premium 850, Premium 1050, Premium 1060, R4.95

KR-SHP256KR Tie Rod End

	OEM:
	A: M16 x 1.5
	B: M12 x 1.25
	C: 14.5 - 16.2mm
	R235, R513V, R613V


KR-SHP258KR Tie Rod End

	OEM:
	A: M14 x 1.5
	B: M10 x 1.5
	C: 10.8 - 12.8mm
	R235


KR-SHP494KR Axial Ball End

	OEM:
	A: M24 x 1.5
	B: M28 x 1.5
	C: 235mm
	R8.215, R8.265, Victory 230, Victory 230 Plus, Victory 260, Victory 260 Plus


KR-SHP519KR Tie Rod End

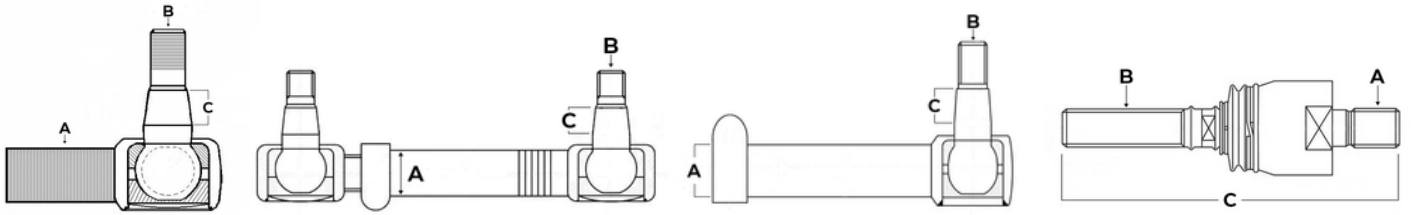
	OEM:
	A: M24 x 1.5
	B: M22 x 1.5
	C: 24.6 - 28.5mm
	R6.130 until 12/2007


KR-SHP520KR Tie Rod End


	OEM:
	A: M24 x 1.5
	B: M22 x 1.5
	C: 24.6 - 28.5mm
	R6.130 until 12/2007

KR-SHP803KR Tie Rod End


	OEM:
	A: M24 x 1.5
	B: M22 x 1.5
	C: 24.7 - 28.4mm
	R6.130 until 12/2007




KR-CI350954 Tie Rod End	
	OEM:
	A: M24 x 1.5
	B: M20 x 1.5
	C: 24 - 26mm
Legend I 105, 115, 130, 145, 165, Legend II 140, 160	

KR-SHP076KR Axial Ball End	
	OEM: 3665323M91
	A: M22 x 1.5
	B: M24 x 1.5
	C: 213mm

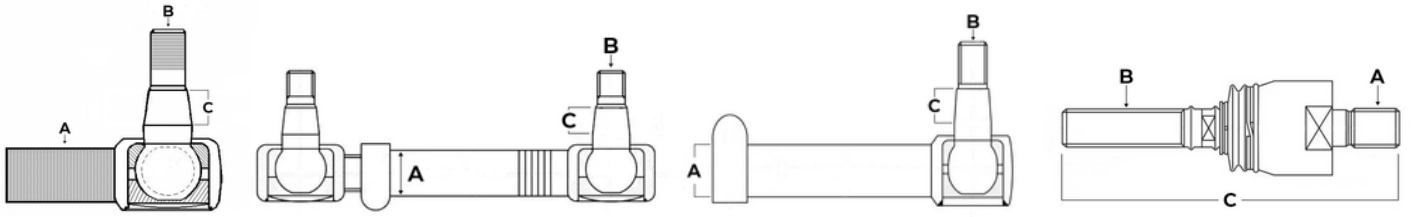
KR-SHP206KR Tie Rod End	
	OEM:
	A: M18 x 1.5
	B: M16 x 1.5
	C: 19.2 - 22.5mm
5500, 5530, 5560, 5830, 5840, 5860, 5870, 6030, 6040, 6060, 6070, 6500, 6530, 6550, 6560, 6830, 6840, 6860, 6870, 6880, 7500, 7530, 7550, 7560, 7830, 7860, 7870, 7880, 8500, 8530, 8550, 8560, 8830, 8860, 8870, 8880, 9060, 9080, 9500, 9880, 10000, 12500, 13000, 14500, Advantage 55, 60, 65, 75, 85, 95, Atlas 70, 75, 80, 85, 90, Blizzard 50, 60, 65, 75, 85, 95, Ghibli 80, 90, PowerFarm 60, 75, 85, 95, Rex 60, 70, 80, 90, 100, Vision 80, 90, 100	

KR-SHP508KR Tie Rod End	
	OEM:
	A: M24 x 1.5
	B: M20 x 1.5
	C: 23.5 -26.5mm
160, 7-145, 7-165, 7-180, 7-190, 7-195, 7-205, 7-220, 7-230, 7-235, Legend 165 TDI	

KR-SHP516KR Tie Rod End	
	OEM:
	A: M24 x 1.5
	B: M20 x 1.5
	C: 23.5 -26.5mm
160, 7-145, 7-165, 7-180, 7-190, 7-195, 7-205, 7-220, 7-230, 7-235, Legend 165 TDI	

KR-VPJ3996 Rubber Boot	
	OEM:
	A:
	B:
	C:
9550	

Massey Ferguson



KR-CI350954	Tie Rod End
	OEM: 6505467M1, 3541412M1
	A: M24 X 1.5
	B: M20 X 1.5
	C: 24 - 26mm

KR-SHP035KR	Tie Rod End
	OEM: 87776221
	A: 1" - 16tpi
	B: M22 x 1.5
	C: 28.55 - 32.2mm

KR-SHP076KR	Axial Ball End
	OEM: 065410R1, 3176383M1, 3903684M1, 3426255M1
	A: M22 x 1.5
	B: M24 x 1.5
	C: 213mm
	1114, 1134, 3085, 3120, 3125, 3630, 3635, 3645, 3650, 3655, 3670, 3680, 3690, 5460, 5465, 5470, 5475, 5480, 6170, 6180, 6190, 6270, 6280, 6290, 6460, 6465, 6470, 6475, 6480, 6612, 6613, 6614, 6615, 6616, 7465, 7475, 7480, 7614, 7615, 7616, 7618, 8110, 8120, 8130, 8140, 8150, 8160, 8210, 8220, 8240

KR-SHP153KR	Tie Rod End
	OEM: 83956527, ZP0501205072
	A: M18 x 1.5
	B: M18 x 1.5
	C: 19.9 - 22.3mm


KR-SHP195KR	Tie Rod End
	OEM: 964756M1
	A: 16mm
	B: M12 x 1.5
	C: 14.2 - 16mm
	133, 135, 148, 158, 230, 240, 250, 550

KR-SHP196KR	Tie Rod End
	OEM: 1860411, 964339M96, 1860411M92, 1808894M1
	A: M22 x 1.5
	B: M12 x 1.5
	C: 16.8 - 18.75mm
	133, 135, 148, 158, 230, 235, 240, 245, 250, 255

KR-SHP197KR	Tie Rod End
	OEM: 1809496M1
	A: M18 x 1.5
	B: M16 x 1.5
	C: 18.2 - 20.3mm
	174, 184, 194, 595, 1080


KR-SHP198KR	Tie Rod End
	OEM: 1809676M1
	A: 11/16" - 18tpi
	B: M16 x 1.5
	C: 18.2 - 20.3mm
	174, 184, 194, 595, 1080


KR-SHP199KR	Tie Rod End
	OEM:
	A: 13/16" - 16tpi
	B: 3/4" - 16tpi
	C: 19.6 - 21.7mm
	65, 165

KR-SHP200KR	Tie Rod End
	OEM:
	A: 19mm
	B: M16 x 1.5
	C: 17.6 - 19.9mm
	65, 165

KR-SHP201KR	Tie Rod End
	OEM: 1862029M91
	A: 11/16" - 18tpi
	B: M12 x 1.5
	C: 14.5 - 16.25mm
	133, 135, 148, 158


KR-SHP202KR	Front Axle Joint Tip
	OEM: 3104945M1
	A: M24 x 1.5
	B: M18 x 1.5
	C: 19.7 - 22.3mm
	3050, 3060, 3065, 3070, 3075, 3080, 3085, 3090, 3095, 3115, 3120, 3125, 3610, 3615, 3630, 3635, 3645, 3650, 3655, 3670, 3680, 3690, 6110, 6120, 6130, 6140, 6150, 6160, 6170, 6180, 6235, 6245, 6255, 6260, 6265, 6270, 6280, 6290, 8110, 8120, 8130, 8140, 8150, 8160, 8210, 8220, 8220Xtra, 8240, 8240Xtra


KR-SHP206KR	Tie Rod End
	OEM: 3426660M1, 3314437M1, 3426660R1, 1617826M93, 1617826M94
	A: M18 x 1.5
	B: M16 x 1.5
	C: 19.2 - 22.5mm
	3125, 3610, 3615, 3630, 3635, 3645, 3650, 3655, 3670, 3680, 3690


KR-SHP209KR	Tie Rod End
	OEM: 3429731M1
	A: M24 x 1.5
	B: M24 x 1.5
	C: 27 - 30.2mm
	398, 399, 3670, 3680, 3690, 4235, 4255, 4260, 4265, 4270, 6150, 6235, 6245, 6255, 6260, 6265, 8150, 8160


KR-SHP211KR	Tie Rod End
	OEM: 053962R1, 3764024M1, V34051700, 6194011M91
	A: M24 x 1.5
	B: M20 x 1.5
	C: 23.5 - 26.5mm
	3095, 3120, 5460, 5465, 5470, 5475, 5480, 6170, 6180, 6270, 6280, 6290, 6460, 6465, 6470, 6475, 6480, 7465, 7475, 7480


KR-SHP216KR	Tie Rod End
	OEM: 826752M91, 969352M1, 826752M92, 180391M91
	A: 11/16" - 18tpi
	B: M12 x 1.5
	C: 16.8 - 18.75mm
	133, 135, 148, 230, 240, 250, 550


KR-SHP217KR	Tie Rod End
	OEM:
	A:
	B: M16 x 1.5
	C: 17.6 - 19.9mm
	65, 165


KR-SHP218KR	Tie Rod End
	OEM: 880008M92
	A: 22mm
	B: M16 x 1.5
	C: 17.6 - 19.9mm
	65, 165, 175, 178

KR-SHP219KR	Tie Rod End
	OEM: 880009M92
	A: 22mm
	B: M16 x 1.5
	C: 17.6 - 19.9mm
	65, 165, 175, 178

KR-SHP220KR	Tie Rod End
	OEM:
	A: 22mm
	B: M16 x 1.5
	C: 17.6 - 19.9mm
	175, 178


KR-SHP221KR	Tie Rod End
	OEM: 1833675N91, 963916M1, 881736M92, 898050M91
	A: 19mm
	B: M16 x 1.5
	C: 17.6 - 19.9mm
	165, 168, 175, 178, 185, 188, 265, 275, 285, 290, 565, 575, 590, 675, 690, 698, 698T


KR-SHP223KR	Tie Rod End
	OEM:
	A: 22mm
	B: M16 x 1.5
	C: 17.6 - 19.9mm
	65, 165


KR-SHP224KR	Tie Rod End
	OEM:
	A: 22mm
	B: M16 x 1.5
	C: 17.6 - 19.9mm
	65, 165


KR-SHP225KR	Tie Rod End
	OEM:
	A: 22mm
	B: M14 x 1.5
	C: 16.2 - 18.4mm
	65, 165


KR-SHP226KR	Tie Rod End
	OEM: 963922M1
	A:
	B: M16 x 1.5
	C: 17.6 - 19.9mm
	188


KR-SHP227KR	Drag Link Rod
	OEM: 964341M91
	A: 11/16" - 18tpi
	B:
	C:
	133, 135, 148, 158, 240

KR-SHP228KR	Tie Rod End
	OEM: 1808432M1, 907536M1, 964343M1
	A: 19mm
	B: M12 x 1.5
	C: 14.5 - 16.25mm
	133, 135, 148

KR-SHP392KR	Tie Rod End
	OEM:
	A: M18 x 1.5
	B: M18 x 1.5
	C: 16.2 - 18.7mm
	174, 184, 194, 595, 1080


KR-SHP395KR	Tie Rod
	OEM:
	A: M24 x 1.5
	B: M20 x 1.5
	C: 23.5 - 26.5mm
	8937


KR-SHP421KR	Tie Rod End
	OEM:
	A: M24 x 1.5
	B: M24 x 1.5
	C: 27 - 30.2mm
	7485, 7490, 7495, 7497, 7499, 7619, 7620, 7622, 7624, 7626

KR-SHP424KR	Tie Rod End
	OEM: 3909317M91, 3903685M1
	A: M24 x 1.5
	B: M20 x 1.5
	C: 23.4 - 26.2mm
	5465, 5480, 6270, 6280, 6290, 6612, 6613, 6614, 6615, 6616, 7465, 7475, 7480, 7485, 7490, 7495, 7614, 7615, 7616, 7618, 8210, 8220, 8220Xtra, 8240, 8240Xtra, 8250, 8250Xtra

KR-SHP444KR	Tie Rod End
	OEM: 3033244M2
	A: 1" - 16tpi
	B: 5/8" - 18tpi
	C: 19.4 - 22mm
	2620 Compact

KR-SHP445KR	Tie Rod End
	OEM: 3907160M1, 3764132M1
	A: M24 x 1.5
	B: M20 x 1.5
	C: 23.5 - 26.4mm
	5465, 6260, 6270, 6280, 7465, 7475


KR-SHP446KR	Tie Rod End
	OEM: 3599679M92, 3599679R92, 2000-3599679M92, 3599679M91
	A: M28 x 1.5
	B: M20 x 1.5
	C: 23.9 - 26.4mm
	365, 375, 390, 390T, 398, 399, 424, 4260, 4265, 4270, 4325, 4335, 4345, 4355, 4360, 4365, 5335, 5340, 5355, 5360, 5365


KR-SHP537KR	Tie Rod End
	OEM: 3789572M1
	A: M24 x 1.5
	B: M24 x 1.5
	C: 27 - 30.5mm
	6497, 6499, 8240, 8240Xtra, 8250, 8250Xtra


KR-VPJ3004	Front Drag Link Steering End
	OEM:
	A:
	B: 1/2" - 20tpi
	C:
	FF30DS, TEA20, TED20, TEF20

KR-VPJ3005	Rear Drag Link Steering End
	OEM:
	A: 3/8" - 19tpi
	B: 1/2" - 20tpi
	C: 16.8 - 19.8mm
	FF30DS, TEA20, TED20, TEF20

KR-VPJ3022	Steering Inner RH Tube
	OEM:
	A:
	B: 5/8"
	C: 17.45 - 19.5mm
	165, 168, 175, 178, 185, 188

KR-VPJ3084	Front Drag Link Steering End
	OEM: 906452M92, 885549M91
	A: M16 x 1.5
	B: M16 x 1.5
	C: 17.5 - 20.1mm 175, 178, 188, 290

KR-VPJ3088	Front Drag Link Steering End
	OEM:
	A:
	B: M16 x 1.5
	C: 23.5 - 26.5mm 135, 148

KR-VPJ3114	Steering Inner RH Tube
	OEM: 886800M92, 963915M91
	A: 13/16" - 13tpi
	B:
	C: 165, 168, 185, 188, 265, 275, 285, 290, 565, 575, 590, 675, 690

KR-VPJ3342	Steering End
	OEM: 1028265M91, 1028265M92, 1807258M1
	A:
	B: M16 x 1.5
	C: 592, 595, 1080, 1085

KR-VPJ3351	Steering End
	OEM: 3443036M91
	A: 1/2" - 28tpi
	B: M16 x 1.5
	C: 32.2 - 34.5mm 230, 240, 253, 340, 342, 350, 352, 355, 360, 362, 362N, 4215, 4220


KR-VPJ3524	Tie Rod
	OEM: 3595527M91
	A: M28 x 1.5
	B: M20 x 1.5
	C: 20 - 21.8mm 365, 375, 390, 390T, 398, 399

KR-VPJ3579	Axial Ball Joint
	OEM:
	A: M24 x 1.5
	B: M22 x 1.5
	C: 210mm 5410, 5420, 5430, 5440, 5608

KR-VPJ3654	Tie Rod
	OEM:
	A:
	B:
	C: 465 Brazil, 475 Brazil, 490 Brazil

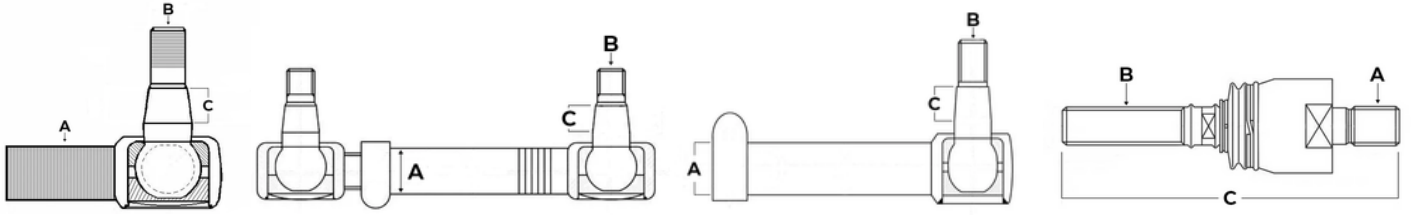
KR-VPJ3723	Tie Rod
	OEM: 3429938M2
	A: M18 x 1.5
	B: M18 x 1.5
	C: 23.5 - 26.5mm 4245, 4255, 4260, 4270, 4345, 4355, 5435, 5445, 5455, 6235, 6245, 6255


KR-VPJ3996	Rubber Boot
	OEM:
	A:
	B:
	C: 165, 168, 175, 178, 185, 188, 265, 275, 285, 290, 565, 575, 590, 675, 690, 698, 698T, 699


KR-VPJ4215 Power Steering Cylinder	
	OEM:
	A:
	B:
	C:
	135, 148, 230, 240, 250, 550

KR-VPJ4227 Power Steering Cylinder	
	OEM:
	A:
	B:
	C:
	135, 148, 230, 240, 250, 550

KR-890124M2GP Ball End Cap	
	OEM: 890124M2
	A: 17mm
	B: 26mm
	C: 40mm
	65, 133, 135, 148, 165, 175, 178, 185, 188, TEA20, TED20, TEF20





KR-CI350954 Tie Rod End	
	OEM: 6505467M1
	A: M24 X 1.5
	B: M20 X 1.5
	C: 24 - 26mm
	MTX110, 125, 140


KR-SHP076KR Axial Ball End	
	OEM: 247522A1
	A: M22 x 1.5
	B: M24 x 1.5
	C: 213mm
	MC90, 95, 100, 105, 115, MTX110, 120, 125, 135, 140, 145, 150, 155, 165, 175, 185, 200, XTX145, 165

KR-SHP154KR Axial Ball End	
	OEM:
	A: M20 x 1.5
	B: M18 x 1.5
	C: 182mm
	MC80

KR-SHP206KR Tie Rod End	
	OEM:
	A: M18 x 1.5
	B: M16 x 1.5
	C: 19.2 - 22.5mm
	C-Max 60

KR-SHP395KR Tie Rod	
	OEM:
	A: M24 x 1.5
	B: M20 x 1.5
	C: 23.5 - 26.5mm
	MC90, 95, 100, 105, 115, MTX110, 120, 125, 135, 140, 150, 155, 165

KR-SHP445KR Tie Rod End	
	OEM: 411904A1
	A: M24 X 1.5
	B: M20 X 1.5
	C: 23.5 - 26.4mm
	MTX110, 120, 125, 135, 140, 145, 150, 155, 165, 175, 185, 200

KR-SHP495KR Axial Ball End	
	OEM:
	A: M22 x 1.5
	B: M27 x 1.5
	C: 180mm
	MTX175, 185, 200

KR-SHP496KR Axial Ball End	
	OEM:
	A: M22 x 1.5
	B: M24 x 1.5
	C: 210mm
	MTX155, 165, 175, 185, 200, ZTX230, 260, 280

KR-SHP501KR

Tie Rod End



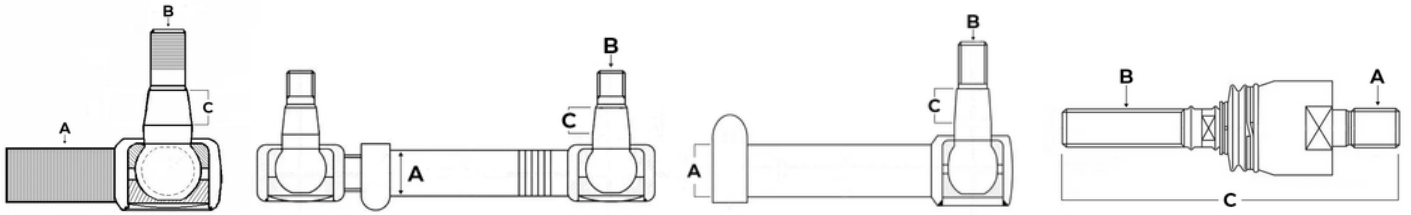
OEM:
A: M18 x 1.5
B: M18 x 1.5
C: 20 - 22mm
CX50, 60, 70, 75, 80, 85, 90, 95, 100, 105, MC80

KR-SHP537KR

Tie Rod End



OEM:
A: M24 x 1.5
B: M24 x 1.5
C: 27 - 30.5mm
ZTX230, 260, 280



KR-SHP262KR

Tie Rod End



OEM: 036786
A: M22 x 1.5
B: M20 x 1.5
C: 23.4 - 26.4mm
P26.6

KR-SHP268KR

Tie Rod End



OEM: 046738, 024409
A: M22 x 1.5
B: M20 x 1.5
C: 23.5 - 26.5mm
P28.7EVS, P28.7EVT, P30.7

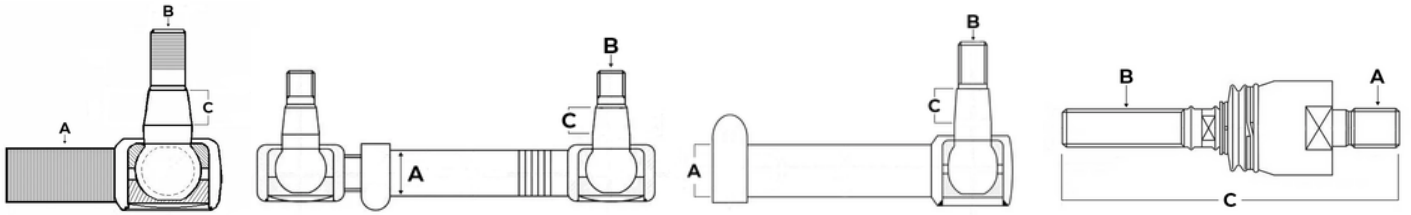
KR-SHP269KR

Tie Rod End



OEM: 046740
A: M22 x 1.5
B: M20 x 1.5
C: 23.5 - 26.5mm
P26.6


New Holland




KR-SHP014KR Tie Rod End	
	OEM:
	A: 1-1/2" - 12tpi
	B: M22 x 1.5
	C: 28.1 - 33mm
	TG210, TG230, TG255, TG285

KR-SHP015KR Tie Rod End	
	OEM:
	A: 1-1/2" - 12tpi
	B: M22 x 1.5
	C: 28.1 - 33mm
	TG210, TG230, TG255, TG285


KR-SHP035KR Tie Rod End	
	OEM:
	A: 1" - 16tpi
	B: M22 x 1.5
	C: 28.55 - 32.2mm
	TG210, TG230, TG255, TG285

KR-SHP037KR Tie Rod End	
	OEM:
	A: M38 x 1.5
	B: M22 x 1.5
	C: 28.1 - 33mm
	T8010, T8020, T8030, T8040, T8050, TG210, TG230, TG255, TG285


KR-SHP093KR Tie Rod End	
	OEM:
	A: M20 x 1
	B: M14 x 1.5
	C: 16.2 - 18.4mm
	T4020V, T4030N/V, T4040N/V, T4050N/V, T4060N/V, TN55V, TN60VA, TN65N/V, TN70NA, TN75N/NA/V/VA, TN95NA/VA


KR-SHP099KR Tie Rod	
	OEM:
	A: M24 x 1.5
	B: M18 x 1.5
	C: 19.8 - 22mm
	T5.90S, T5.100S, T5.110S, TD5.65, TD5.75, TD5.80, TD5.85, TD5.90, TD5.95, TD5.100, TD5.105, TD5.110, TD5.115, TD5040, TD5050, TD75D, TD80D, TD80D, TD85D, TD90D, TD90D, TD95D, TD95D, TT55, TT65, TT75


KR-SHP102KR Tie Rod End	
	OEM:
	A: M32 x 1.5
	B: M18 x 1.5
	C: 19.8 - 22.3mm
	8160, 8260, 8360, 8560, M100, M115, M135, M160, TM115, TM120, TM125, TM130, TM135, TM140, TM150, TM155, TM165


KR-SHP109KR Tie Rod	
	OEM:
	A: 19mm
	B: M14 x 1.5
	C: 17.2 - 18.8mm
	3930

KR-SHP117KR Tie Rod End	
	OEM:
	A: 3/4" - 16tpi
	B: M14 x 1.5
	C: 17 - 19.7mm
	3930


KR-SHP120KR Drag Link	
	OEM:
	A: M22
	B: M14 x 1.5
	C: 17.2 - 18.8mm
	3930

KR-SHP124KR Tie Rod End	
	OEM: C5NN3307E
	A: 1" - 16tpi
	B: M16 x 1.5
	C: 17.2 - 19.8mm
	5000, 5600, 5610, 6600, 6610, 7000, 7600, 7610


KR-SHP129KR Drag Link	
	OEM:
	A: 22mm
	B: M14 x 1.5
	C: 17.2 - 18.8mm
	3930

KR-SHP130KR Tie Rod	
	OEM:
	A: M24 x 1.5
	B: M20 x 1.5
	C: 23.4 - 26.4mm
	8240, 8340

KR-SHP131KR Tie Rod	
	OEM:
	A: M24 x 1.5
	B: M20 x 1.5
	C: 23.4 - 26.4mm
	8240, 8340

KR-SHP132KR Tie Rod End	
	OEM:
	A: 7/8" - 14tpi
	B: M22 x 1.5
	C: 27.75 - 31.75mm
	5640, 6640, 7740, 7840, 8240, 8340, T6010, T6020, T6030, T6050, TS80, TS90, TS100, TS100A, TS110, TA110A, TS115, TS115A, TS125A, TS130A, TS135A


KR-SHP133KR Tie Rod End	
	OEM:
	A: 1.1/4" - 12tpi
	B: M22 x 1.5
	C: 27.75 - 31.75mm
	5640, 6640, 7740, 7840, 8240, 8340, T6010, T6020, T6030, T6050, TS80, TS90, TS100, TS100A, TS110, TA110A, TS115, TS115A, TS125A, TS130A, TS135A


KR-SHP134KR Tie Rod End	
	OEM:
	A: M24 x 1.5
	B: M20 x 1.5
	C: 23.5 - 26.5mm
	5640, 6640, 7740, 7840


KR-SHP135KR Tie Rod End	
	OEM:
	A: M24 x 1.5
	B: M20 x 1.5
	C: 23.5 - 26.5mm
	5640, 6640, 7740, 7840

KR-SHP136KR Tie Rod End	
	OEM: D5NN3A302D, E6NN3N981AA, 83959500
	A: 1" - 16tpi
	B: M22 x 1.5
	C: 27.5 - 31.5mm
	6700, 6710, 7700, 7710, 7910, 8210, 8730, 8830, TW25, 30, 35

KR-SHP141KR Drag Link	
	OEM:
	A: 22mm
	B: M16 x 1.5
	C: 18 - 20mm
	3930

KR-SHP142KR Drag Link	
	OEM:
	A: 22mm
	B: M16 x 1.5
	C: 17.9 - 20.15mm
	3930


KR-SHP154KR Axial Ball End	
	OEM:
	A: M20 x 1.5
	B: M18 x 1.5
	C: 182mm
	3930

KR-SHP158KR Axial Ball End	
	OEM:
	A: M22 x 1.5
	B: M24 x 1.5
	C: 213mm
	5640, 6640, 7740, 7840, 8240, 8340

KR-SHP229KR Tie Rod End	
	OEM:
	A: 1-1/8" - 16tpi
	B: M22 x 1.5
	C: 25.3 - 28mm
	8670, 8670A, 8770, 8770A, 8870, 8870A, 8970, 8970A, G170, G190, G210, G240

KR-SHP230KR Tie Rod End	
	OEM:
	A: 7/8" - 14tpi
	B: M22 x 1.5
	C: 27.4 - 31.8mm
	8670, 8670A, 8770, 8770A, 8870, 8870A, 8970, 8970A, G170, G190, G210, G240


KR-SHP231KR Tie Rod End	
	OEM:
	A:
	B: M22 x 1.5
	C: 25.3 - 28mm
	8670, 8670A, 8770, 8770A, 8870, 8870A, 8970, 8970A, G170, G190, G210, G240


KR-SHP233KR Tie Rod End	
	OEM:
	A: 1-1/4" - 12tpi
	B: M22 x 1.5
	C: 24.5 - 28mm
	8670, 8770, 8870, 8970, G170, G190, G210, G240, T4020, T4030, T4040, T4050, T4050F/N

KR-SHP402KR Axial Ball End	
	OEM:
	A: M20 x 1.5
	B: M24 x 1.5
	C: 210mm
	T7510, T7520, T7530, T7540, T7550, TVT135, TVT145, TVT155, TVT170, TVT190, TVT195

KR-SHP416KR Tie Rod End	
	OEM:
	A:
	B: 3/4"
	C: 23.9 - 27.5mm
	5640, 6640, 7740, 7840, 8240, 8340, T6010, T6020, T6030, T6040, T6050, T7030, T7040, T7050, T7060, TS80, TS90, TS100, TS100A, TS110, TS110A, TS115, TS115A, TS125A, TS130A, TS135A

KR-SHP417KR Track Rod Head	
	OEM:
	A: M24 x 1.5
	B: M20 x 1.5
	C: 23.5 - 26mm
	T7.220, T7.235, T7.250, T7.260, T7.270, T7030, T7040, T7050, T7060, T8010, T8020, T8030, T8040, T8050, TM120, TM130, TM140, TM175, TM190

KR-SHP418KR Track Rod	
	OEM:
	A: M18 x 1.5
	B: M18 x 1.5
	C: 19.9 - 22.25mm
	T4030N


KR-SHP440KR Tie Rod End	
	OEM:
	A: 20mm
	B:
	C: 16.2 - 18.3mm
	TD5.65, TD5.75, TD5.85, TD5.95, TD5.105, TD5.115, TD5010, TD55D, TD60D, TD60D, TD65D, TD70D, TD70D, TD75D, TD80D, TD80D, TD85D, TD90D, TD90D, TD95D, TD95D


KR-SHP442KR Tie Rod End	
	OEM:
	A: M22 x 1.5
	B: M14 x 1.5
	C: 16.2 - 18.3mm
	T3.50F, T3.55F, T3.65F, T3.75F, TD5.65, TD5.75, TD5.75, TD5.80, TD5.85, TD5.90, TD5.95, TD5.100, TD5.105, TD5.110, TD5.115, TD5010, TD55D, TD60D, TD60D, TD65D, TD70D, TD70D, TD75D, TD80D, TD80D, TD85D, TD90D, TD90D, TD95D, TD95D, TT50, TT55, TT65, TT75


KR-SHP447KR Tie Rod End	
	OEM: C7NN3289B, 81817084
	A: 1.1/8" - 12tpi
	B: M20 x 1.5
	C: 25.15 - 28mm


KR-SHP449KR Tie Rod End	
	OEM:
	A: 1-1/8" - 16tpi
	B:
	C: 27.6 - 31.7mm
	T6010, T6020, T6030, T6040, T6050, T7030, T7040, T7050, T7060, TS80, TS90, TS100, TS100A, TS110, TS110A, TS115, TS115A, TS125A, TS130A, TS135A


KR-SHP450KR Tie Rod End	
	OEM:
	A: 7/8" - 14tpi
	B: M27 x 1.5
	C: 30.7 - 35.3mm
	TS80, TS90, TS100, TS100A, TS110, TS110A, TS115, TS115A, TS125A, TS130A, TS135A

KR-SHP451KR Tie Rod End	
	OEM:
	A: 1-1/4" - 12tpi
	B: M27 x 1.5
	C: 30.8 - 35mm
	TS80, TS90, TS100, TS100A, TS110, TS110A, TS115, TS115A, TS125A, TS130A, TS135A

KR-SHP455KR Tie Rod Complete	
	OEM:
	A: M22 x 1.5
	B:
	C: 16.2 - 18.3mm
	TD5.80, TD5.90, TD5.100, TD5.110

KR-SHP457KR Tie Rod End	
	OEM:
	A:
	B:
	C: 23.9 - 27.4mm
5640, 6640, 7740, 7840, 8240, 8340, T6010, T6020, T6030, T6050, TS80, TS90, TS100, TS100A, TS110, TA110A, TS115, TS115A, TS125A, TS130A, TS135A	


KR-SHP458KR Track Rod Complete	
	OEM:
	A: 20mm
	B: M16 x 1.5
	C: 18.1 - 20.3mm
4635, 4835, 5635, 6635, 7635, L60, L65, L75, L85, L95, T4020, T4030, T4040, T4050, TN55/D, TN60A/DA, TN65/D, TN70/A/D/DA, TN75/A/D/DA, TN85DA	


KR-SHP459KR Track Rod Complete	
	OEM:
	A: M24 x 1.5
	B:
	C: 19.8 - 22mm
TS100A, TS110A, TS115A, TS125A, TS130A, TS135A	

KR-SHP492KR Axial Ball End	
	OEM:
	A: M20 x 1.5
	B: M18 x 1.5
	C: 177mm
T4020V, T4030N/V, T4040N/V, T4050N/V, T4060N/V	

KR-SHP495KR Axial Ball End	
	OEM:
	A: M22 x 1.5
	B: M27 x 1.5
	C: 180mm
T7510, T7540, T7550, TVT170, TVT190, TVT195	


KR-SHP496KR Axial Ball End	
	OEM:
	A: M22 x 1.5
	B: M24 x 1.5
	C: 210mm
T7540, T7550, TVT170, TVT190, TVT195	

KR-SHP497KR Track Rod	
	OEM:
	A: M24 x 1.5
	B: M20 x 1.5
	C: 23.5 - 26.5mm
T7510	


KR-SHP503KR Axial Ball End	
	OEM:
	A: M20 x 1.5
	B: M18 x 1.5
	C: 150mm
T4020V, T4030V, T4040V, T4050V, T4060V, TN55V, TN60VA, TN65V, TN70VA, TN75V/VA, TN95VA	

KR-SHP515KR Tie Rod End	
	OEM:
	A: M18 x 1.5
	B: M18 x 1.5
	C: 19.9 - 22.25mm
T4020V, T4030V, T4040V, T4050V, TN55V, TN60VA, TN65V, TN70VA, TN75V/VA, TN95VA	

KR-SHP535KR Tie Rod End	
	OEM:
	A: M18 x 1.5
	B: M18 x 1.5
	C: 19.9 - 22.25mm
T4020V, T4030N/V, T4040N/V, T4050N/V, T4060N/V	

KR-SHP536KR Tie Rod End	
	OEM:
	A: M18 x 1.5
	B: M18 x 1.5
	C: 19.9 - 22.25mm
	T4020V, T4030N/V, T4040N/V, T4050N/V, T4060N/V

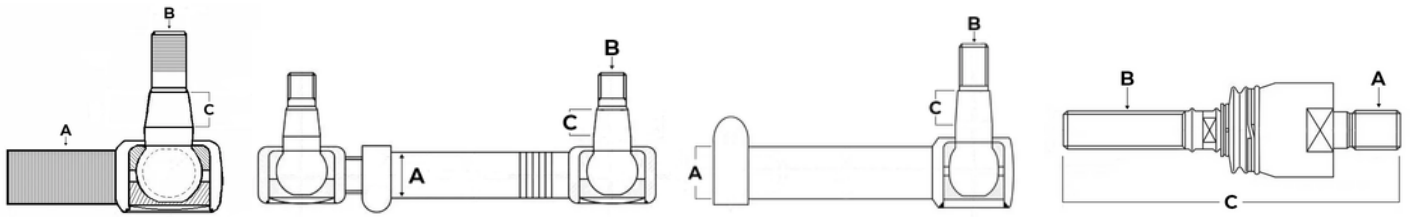
KR-VPJ3183 Steering End	
	OEM: CAR49000, CAR48984
	A: M24 x 1.5
	B: M20 x 1.5
	C: 23.5 - 26.4mm
	8240, 8340

KR-VPJ3184 Steering End	
	OEM: CAR48999, CAR48985
	A: M24 x 1.5
	B: M20 x 1.5
	C: 23.5 - 26.4mm
	8240, 8340

KR-VPJ3463 Steering End	
	OEM:
	A: M28 x 1.5
	B: 3/4" - 16tpi
	C: 23.88 - 26.6mm
	5640, 6640, 7740, 7840, T6010, T6020, T6030, TS80, TS90, TS100, TS100A, TS110, TS110A, TS115, TS115A, TS125A, TS130A, TS135A

KR-VPJ3464 Outer Steering End	
	OEM:
	A:
	B: M19 x 1.5
	C: 23.8 - 27.4mm
	5640, 6640, 7740, 7840, T6010, T6020, T6030, TS80, TS90, TS100, TS100A, TS110, TS110A, TS115, TS115A, TS125A, TS130A, TS135A

KR-83949861N Seal Kit Steering Cylinder	
	OEM:
	A:
	B:
	C:
	5640, 6640, 7740, 7840, 8240, 8340, TS80, TS90, TS100, TS100A, TS110, TS110A, TS115, TS115A,



KR-SHP076KR

Axial Ball End



OEM: 6000103325, 6000103524, 6000104512

A: M22 x 1.5

B: M24 x 1.5

C: 213mm

KR-SHP154KR

Axial Ball End



OEM: 6000103044, 6000149006

A: M20 x 1.5

B: M18 x 1.5

C: 182mm

KR-SHP211KR

Tie Rod End



OEM: 6000103324

A: M24 x 1.5

B: M20 x 1.5

C: 23.5 - 26.5mm

103-54, 106-54, Ares 540, 546, 550, 556, 566, 610, 616, 620, 626, 630RX/RZ, 636, 640RZ, 656, 710, 715, 720, 725, 735, 815, 816, 825, 826, 836, Atlas 915, Celtis 456, Ergos 456-4, 466-4, Temis 550, 610, 630, 650

KR-SHP239KR

Tie Rod End



OEM: 6000103324

A: M24 x 1.5

B: M20 x 1.5

C: 23.5 - 26.5mm

103-54, 106-54, Ares 540RX, 546RX, 550RX, 610RX/RZ, 620RX/RZ, 630RX/RZ, 640RZ, 710RZ, 720RZ, 725RZ, 735RZ, Atlas 915RZ, 925RZ, 926RZ, 935RZ, 936RZ

KR-SHP240KR

Axial Ball End



OEM: 6000103325

A: M22 x 1.5

B: M24 x 1.5

C: 213mm

103-54, 106-54, Ares 540RX, 546RX, 550RX, 610RX/RZ, 620RX/RZ, 630RX/RZ, 640RZ, 710RZ, 720RZ, 725RZ, 735RZ, Atlas 915RZ, 925RZ, 926RZ, 935RZ, 936RZ

KR-SHP245KR

Tie Rod End



OEM: 6005009894

A: M22 x 1.5

B: M20 x 1.5

C: 23.5 - 26.5mm

Ceres 65, 70, 75, 85, 95, 310, 320, 330, 340, Cergos 330, 340, 350

KR-SHP246KR

Axial Ball End



OEM: 6005009895

A: M22 x 1.5

B: M22 x 1.5

C: 213mm

Ceres 65, 70, 75, 85, 95, 310, 320, 330, 340, Cergos 330, 340, 350

KR-SHP247KR

Tie Rod End



OEM: 6000180694, 7700504269

A: M16 x 1.5


B: M16 x 1.5

C: 18.2 - 20.3mm

91, 92, 94, 96, 98, 461, 551S, 651S, 681S, 751, 752, 851S, 951, 95-12, 103-12, 1151-4

KR-SHP248KR	Tie Rod End
	OEM: 6000180691, 7700504270
	A: M16 x 1.5
	B: M16 x 1.5
	C: 18.2 - 20.3mm
	91, 92, 94, 96, 98, 461, 551S, 651S, 681S, 751, 752, 851S, 951, 95-12, 103-12, 1151-4

KR-SHP249KR	Tie Rod End
	OEM: 7700654419
	A: M28 x 1.5
	B: M18 x 1.5
	C: 20 - 22.2mm
	95-14, 103-14, 106-14, 110-14

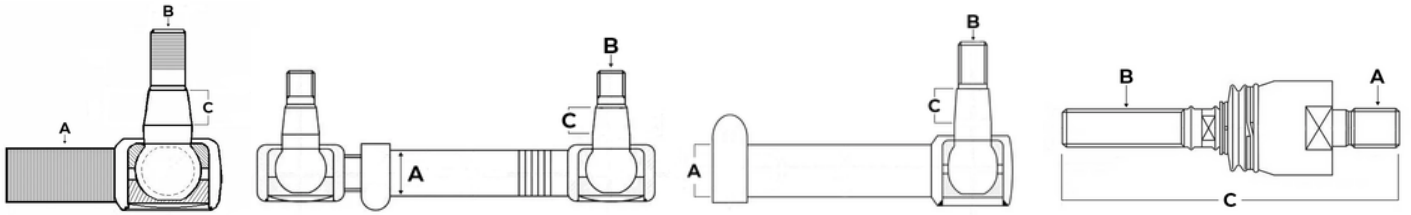
KR-SHP250KR	Tie Rod End
	OEM: 7700654420
	A: M28 x 1.5
	B: M18 x 1.5
	C: 19.7 - 22.3mm
	95-14, 103-14, 106-14, 110-14

KR-SHP251KR	Tie Rod End
	OEM: 7700693255
	A: M18 x 1.5
	B: M16 x 1.5
	C: 18.2 - 20.3mm
	551S, 651S

KR-SHP305KR	Tie Rod End
	OEM:
	A: M22 x 1.5
	B: M16 x 1.5
	C: 18.25 - 20.25mm
	551S, 651S

KR-VPJ3166	Steering End
	OEM:
	A: M24 x 1.5
	B: M16 x 1.5
	C: 20.2 - 22mm
	58-14LS, 58-34, 61-14, 65-14LS, 65-34, 68-14, 70-14SP, 70-34, 75-14, 75-14LS, 75-34, 80-14, 80-14SP, 80-34, 85-34, 90-34, 551-4S, 651-4S, 681-4, 681-4S

KR-VPJ3364	Steering End
	OEM:
	A: M16 x 1.5
	B: M16 x 1.5
	C: 17.5 - 19.8mm
	461S, 521S, 551, 551S, 651, 651S, 681, 681S, 751, 751S, 851, 851S, 951, 58-12LS, 58-32, 61-12, 65-12LS, 68-12, 70-12SP, 70-32, 75-12, 75-32, 77-12, 80-12, 80-32, 85-12, 85-32, 90-32, 95-12, 103-52, 113-12, Ceres 65, 310




KR-SHP243KR Tie Rod End	
	OEM:
	A: M22 x 1.5
	B: M14 x 1.5
	C: 16.2 - 18.3mm
Antares 100, Centauro 60, Centurion 75 Special, Corsaro 70 Synchro, Explorer I 55, 60, 65, 70, 75, 80, 90 Turbo, Explorer II 60, 70, 80, 90 Turbo, Leone 70, 75, Saturno 80 Synchro, Silver 80, 90, 100.4, 100.6	


KR-SHP256KR Tie Rod End	
	OEM: 14642374
	A: M16 x 1.5
	B: M12 x 1.25
	C: 14.5 - 16.2mm
Aurora 45, Condor 55 Synchro, Delfino 32, 35, Falcon 50, Ranger 45, Sirenetta, Vigneron 35, 45, 50, 60, 70	

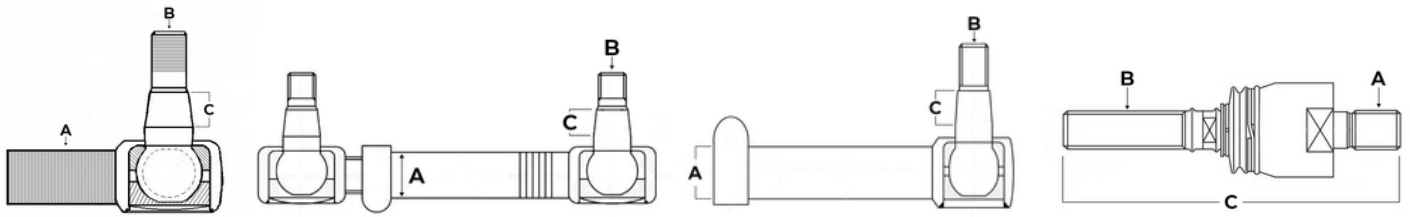
KR-SHP258KR Tie Rod End	
	OEM: 9817064, 15042374, 00164164
	A: M14 x 1.5
	B: M10 x 1.5
	C: 10.8 - 12.8mm
Aurora 45, Delfino 32, 35, Ranger 45, Sirenetta	


KR-SHP494KR Axial Ball End	
	OEM:
	A: M24 x 1.5
	B: M28 x 1.5
	C: 235mm
Diamond 215, 230 (until 2001), 260, 265, Diamond II 230, 260	

KR-SHP519KR Tie Rod End with Bar	
	OEM:
	A: M24 x 1.5
	B: M22 x 1.5
	C: 24.6 - 28.5mm
IRON 130 until 12/2007	


KR-SHP520KR Tie Rod End with Bar	
	OEM:
	A: M24 x 1.5
	B: M22 x 1.5
	C: 24.6 - 28.5mm
IRON 130 until 12/2007	

KR-SHP803KR Tie Rod End	
	OEM:
	A: M24 x 1.5
	B: M22 x 1.5
	C: 24.7 - 28.4mm
IRON 130 until 12/2007	




KR-CI305954 Tie Rod End	
	OEM: 33-743-617
	A: M24 x 1.5
	B: M20 x 1.5
	C: 24 - 26mm
Fitment Info	

KR-SHP135KR Tie Rod End	
	OEM:
	A: M24 x 1.5
	B: M20 x 1.5
	C: 23.5 - 26.5mm
9105, 9115	

KR-SHP372KR Ball End	
	OEM: 133743305
	A: M18 x 1.5
	B: M18 x 1.5
	C: 19.9 - 22.3mm
M948, M952, M958, M963, M968, M975	

KR-SHP390KR Axial Ball End	
	OEM: 133743011
	A: M22 x 1.5
	B: M22 x 1.5
	C: 210mm
964, 970, M948, M952, M958, M963, M968, M975	


KR-SHP391KR Tie Rod End with Bar	
	OEM: 133743010
	A: M22 x 1.5
	B: M20 x 1.5
	C: 23.5 - 26.5mm
964, 970, M948, M952, M958, M963, M968, M975	

KR-SHP402KR Axial Ball End	
	OEM: 133743613
	A: M20 x 1.5
	B: M24 x 1.5
	C: 210mm
6135CVT, 6140CVT, 6145CVT, 6150CVT, 6155CVT, 6160CVT, 9105, 9115, 9125, 9145, CVT120, CVT130, CVT150	


KR-SHP411KR Axial Ball End	
	OEM: 133743003
	A: M22 x 1.5
	B: M22 x 1.5
	C: 192mm
955, 964, 970, M968, M975	

KR-SHP417KR Track Rod Head	
	OEM:
	A: M24 x 1.5
	B: M20 x 1.5
	C: 23.5 - 26mm
6165CVT, 6180CVT, 6200CVT, 6210CVT, 6225CVT	

KR-SHP420KR Tie Rod End with Bar	
	OEM: 133743002
	A: M22 x 1.5
	B: M20 x 1.5
	C: 23.5 - 26.5mm
955, 964, 970, M968, M975	


KR-SHP458KR Track Rod Complete	
	OEM:
	A: 20mm
	B: M16 x 1.5
	C: 18.1 - 20.3mm
360 Compact, 370 Compact, 375 Compact, 485 Compact, 495 Compact, 4065 Compact, 4075 Compact, 4085 Compact, 4095 Compact	


KR-SHP492KR Axial Ball End	
	OEM:
	A: M20 x 1.5
	B: M18 x 1.5
	C: 177mm
768, 942, 948, 9078, 9080M, 9086, 9090M, 9094, 9100M, M948, M952, M958, M963, M968, M975, M9078, M9083, M9086, M9094	

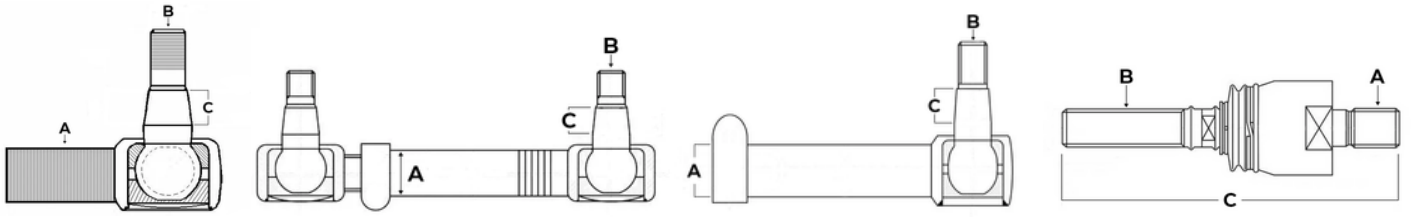
KR-SHP495KR Axial Ball End	
	OEM:
	A: M22 x 1.5
	B: M27 x 1.5
	C: 180mm
6170CVT, 6175CVT, 6190CVT, 6195CVT, CVT170	

KR-SHP496KR Axial Ball End	
	OEM:
	A: M22 x 1.5
	B: M24 x 1.5
	C: 210mm
6170CVT, 6175CVT, 6190CVT, 6195CVT, CVT170	


KR-SHP501KR Tie Rod End	
	OEM:
	A: M18 x 1.5
	B: M18 x 1.5
	C: 20 - 22mm
9080MT, 9085MT, 9090MT, 9095MT, 9100MT, 9105MT	

KR-SHP508KR Tie Rod End	
	OEM:
	A: M24 x 1.5
	B: M20 x 1.5
	C: 23.5 - 26.5mm
6170CVT, 6190CVT, CVT170	

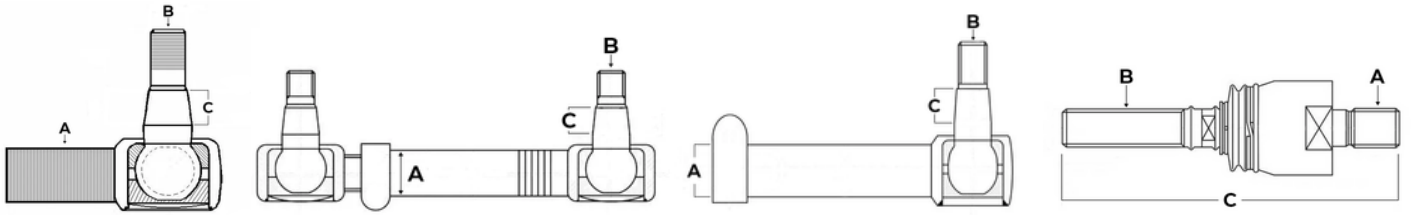
KR-SHP516KR Tie Rod End	
	OEM:
	A: M24 x 1.5
	B: M20 x 1.5
	C: 23.5 - 26.5mm
6170CVT, 6190CVT, CVT170	




KR-80220019		Tie Rod End	
	OEM:		
	A: M24 x 2		
	B: M16 x 1.5		
	C: 18 - 20mm		
	C-385		

KR-SHP221KR		Tie Rod End	
	OEM: 881736M92		
	A: 19mm		
	B: M16 x 1.5		
	C: 17.6 - 19		
	5312		


Valtra - Valmet




KR-SHP076KR	Axial Ball End
	OEM: 34051500, 80604200
	A: M22 x 1.5
	B: M24 x 1.5
	C: 213mm
	6200, 6250, 6300, 6350, 6400, 6550, 6600, 6600, 6650, 6800, 6850, 6900, 8000, 8050, 8100, 8150, 8200, 8350, 8450, 8550, 8950, Mega 8000LS, Mega 8100E, Mega 8100LS, Mega 8200E, X100, X110, X120


KR-SHP201KR	Tie Rod End
	OEM: 34051700, V34051700
	A:
	B:
	C:
	6200, 6250, 6300, 6350, 6400, 6550, 6600, 6650, 6750, 6800, 6850, 6900, 8000, 8050, 8100, 8150, 8200, 8350, 8400, 8450, 8550, 8750, 8950, M120, M130, M150, T120, T130, T140, T150, T160, T170, T180, T190, X100, X110, X120, XM130, XM150

KR-SHP211KR	Tie Rod End
	OEM: 34051700, V34051700
	A:
	B:
	C:
	6200, 6250, 6300, 6350, 6400, 6550, 6600, 6650, 6750, 6800, 6850, 6900, 8000, 8050, 8100, 8150, 8200, 8350, 8400, 8450, 8550, 8750, 8950, M120, M130, M150, T120, T130, T140, T150, T160, T170, T180, T190, X100, X110, X120, XM130, XM150

KR-SHP239KR	Tie Rod End
	OEM:
	A: M24 x 1.5
	B: M20 x 1.5
	C: 23.5 - 26.5mm
	6200, 6250, 6300, 6350, 6400, 6550, 6600, 6650, 6750, 6800, 6850, 6900, 8000, 8050, 8100, 8150, 8200, 8350, 8400, 8450, 8550, 8750, 8950, M120, M130, M150, Mega 8450E, T120, T130, T140, T150, T160, T170, T180, T190, X100, X110, X120, XM130, XM150


KR-SHP390KR	Axial Ball End
	OEM:
	A: M22 x 1.5
	B: M22 x 1.5
	C: 210mm
	255, 355, 365, 455, 465, 555, 565, 600, 665, 700, 800, 865, 900, 6000, 6100, 6200, 6250, 6300, 6350, 6400, 6550, 6600, 6650, 6750, 6800, 6850, 6900, 8000, 8050, 8100, 8150, 8200, 8350, 8400, 8450, 8550, 8750, 8950, A65, A72, A75, A82, A85, A92, A95, C90, C100, C110, C120, C130, C150, M120, M130, M150, Mega 8450E, N82, N92, T120, T130, X100, X110, X120

KR-SHP391KR	Tie Rod End with Bar
	OEM:
	A: M22 x 1.5
	B: M20 x 1.5
	C: 23.5 - 26.5mm
	255, 355, 365, 455, 465, 555, 565, 600, 665, 700, 800, 865, 900, 6000, 6100, 6200, 6250, 6300, 6350, 6400, 6550, 6600, 6650, 6750, 6800, 6850, 6900, 8000, 8050, 8100, 8150, 8200, 8350, 8400, 8450, 8550, 8750, 8950, A65, A72, A75, A82, A85, A92, A95, C90, C100, C110, C120, C130, C150, M120, M130, M150, Mega 8450E, N82, N92, T120, T130, X100, X110, X120


KR-SHP395KR	Tie Rod
	OEM:
	A: M24 x 1.5
	B: M20 x 1.5
	C: 23.5 - 26.5mm
	6200, 6250, 6300, 6350, 6400, 6550, 6600, 6650, 6750, 6800, 6850, 6900, 8000, 8050, 8100, 8150, 8200, 8350, 8400, 8450, 8550, 8750, 8950, M120, M130, M150, Mega 8450E, T120, T130, T140, T150, T160, T170, T180, T190, X100, X110, X120, XM130, XM150

KR-SHP557KR	Tie Rod End
	OEM: 31059900, V31059900
	A: M18 x 1.5
	B: M18 x 1.5
	C: 19.9 - 22.25mm
	205, 255, 305, 315, 355, 365, 405, 415, 455, 465, 555, 565, 665


KR-SHP559KR Tie Rod End	
	OEM:
	A: M22 x 1.5
	B: M20 x 1.5
	C: 26.5 - 32.5mm
	6000, 6100, 6200, 6250, 6300, 6350, 6400, 6550, 6600, 6650, 6750, 6800, 6850, 6900, 8000, 8050, 8100, 8150, 8200, 8350, 8400, 8450, 8550, 8750, 8950, Mega 8000, Mega 8050, Mega 8100, Mega 8150, Mega 8200, Mega 8450, Mega 8550, Mega 8750

KR-SHP560KR Tie Rod End	
	OEM: V31798610, V31798610
	A: M22 x 1.5
	B: M20 x 1.5
	C: 23.4 - 26.2mm
	6000, 6100, 6200, 6250, 6300, 6350, 6400, 6550, 6600, 6650, 6750, 6800, 6850, 6900, 8000, 8050, 8100, 8150, 8200, 8350, 8400, 8450, 8550, 8750, 8950, Mega 8000, Mega 8050, Mega 8100, Mega 8150, Mega 8200, Mega 8450, Mega 8550, Mega 8750

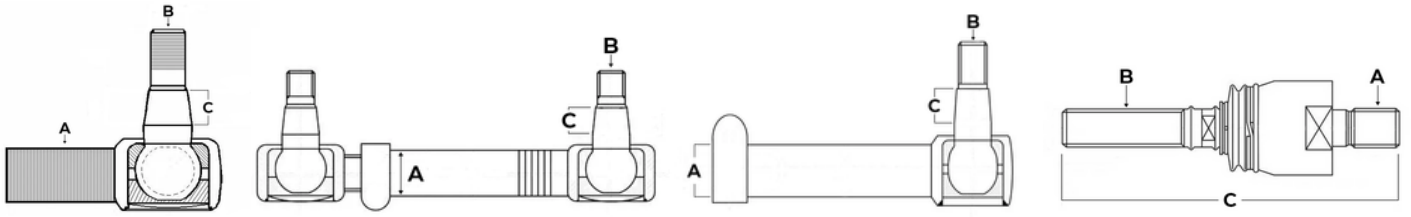
KR-SHP561KR Tie Rod End	
	OEM: 31882200, V31882200
	A: M22 x 1.5
	B: M20 x 1.5
	C: 23.5 - 26.5mm
	6000, 6100, 6200, 6300, 6400, 6600, 6800, 6900, 8000, 8100, 8200, 8400, 8750, Mega 8000, Mega 8050, Mega 8100, Mega 8150, Mega 8200, Mega 8450, Mega 8550, Mega 8750

KR-SHP562KR Tie Rod End	
	OEM: 31882210, V31882210
	A: M22 x 1.5
	B: M24 x 1.5
	C: 29 - 32.2mm
	6000, 6100, 6200, 6250, 6300, 6350, 6400, 6550, 6600, 6650, 6800, 6850, 6900, 8000, 8100, 8200, 8400, 8750m Mega 8000, Mega 8050, Mega 8100, Mega 8150, Mega 8200, Mega 8450, Mega 8550, Mega 8750, X110

KR-SHP563KR Tie Rod End	
	OEM: 31952500, V31952500
	A: M22 x 1.5
	B: M20 x 1.5
	C: 23.4 - 26.2mm
	355, 365, 455, 465, 555, 565, 600/L, 665, 700/L/R, 800/E/L, 900/E/L, A65, A75/L/N, A85/L/N, A95/L/N

KR-SHP564KR Tie Rod End	
	OEM: 3999152, V37947900
	A: M22 x 1.5
	B: M20 x 1.5
	C: 23.5 - 26.5mm
	N91, N101, N103.4, N104, N111, N113, N114, N121, N122, N123, N124, N134, N141, N142, N143, T121, T131, T132, T133, T152

KR-VPJ3579 Axial Ball Joint	
	OEM:
	A: M24 x 1.5
	B: M22 x 1.5
	C: 210mm
	N93, N103



KR-SHP010KR

Tie Rod



OEM:

A: 7/8" - 16tpi

B: M14 x 1.5

C: 15.5 - 17.95mm

500

KR-SHP076KR

Axial Ball End

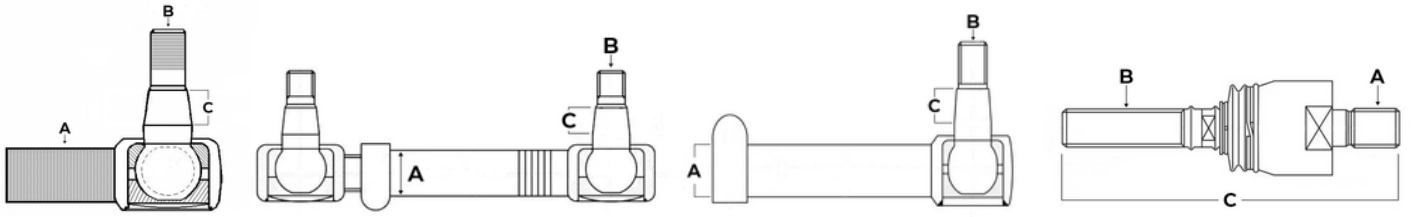


OEM: 11709458

A: M22 x 1.5

B: M24 x 1.5

C: 213mm



KR-55113905

Tie Rod End



OEM: 55 113 905
A: M18 x 1.5
B:
C: 18 - 21mm
3320, 3340, 4320, 4340, 4911, 5011, 5211, 5245, 5320, 5340, 6011, 6211, 6245, 6320, 6340, 7011, 7211, 7245, 7320T, 7340T, 7711, 7711T, 7745, 7745T

KR-80220019

Tie Rod End



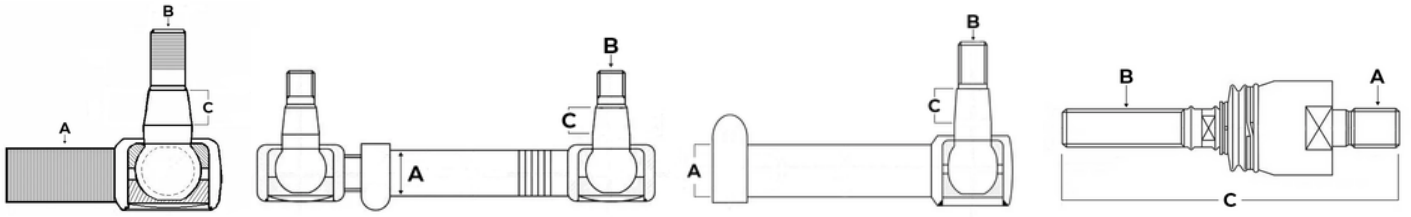
OEM:
A: M24 x 2
B: M16 x 1.5
C: 18 - 20mm
8111, 8211, 9111, 9211, 10111, 10211, 11211, 12111, 12211

KR-SHP152KR


Axial Ball End




OEM: ZP0501205394
A: M22 x 1.5
B: M28 x 1.5
C: 224mm




KR-814003503910 Ball End	
	OEM: 0501210955, 501210955
	A:
	B:
	C: 25 - 28mm


KR-824003502810 Tie Rod End with Bar	
	OEM: 0501209901, 501209901
	A:
	B:
	C:


KR-824003503310 Tie Rod End with Bar	
	OEM: 0501209903, 501209903
	A: M24 x 1.5
	B: M22 x 1.5
	C: 26 - 28mm

KR-831003500410 Track Rod	
	OEM: 0750137056, 750137056
	A:
	B:
	C: 24mm


KR-831003500510 Track Rod	
	OEM:
	A:
	B:
	C: 24mm

KR-SHP190KR Inner Tie Rod	
	OEM: 0501205641
	A: M28 x 1.5
	B: M20 x 1.5
	C: 23.6 - 26.2mm


KR-SHP191KR Inner Tie Rod	
	OEM: 0501205640
	A: M28 x 1.5
	B: M20 x 1.5
	C: 23.6 - 26.2mm


KR-SHP407KR Tie Rod End	
	OEM:
	A: M28 x 1.5
	B: M20 x 1.5
	C: 23.5 - 26.5mm


KR-SHP485KR		Axial Ball End	
	OEM:		
	A: M20 x 1.5		
	B: M22 x 1.5		
	C: 185mm		

KR-SHP489KR		Tie Rod End with Bar	
	OEM:		
	A: M22 x 1.5		
	B: M18 x 1.5		
	C: 20 - 22mm		


KR-SHP490KR		Axial Ball End	
	OEM: 0501210063		
	A: M24 x 1.5		
	B: M28 x 1.5		
	C: 235mm		


KR-SHP493KR		Axial Ball End	
	OEM:		
	A: M20 x 1.5		
	B: M22 x 1.5		
	C: 185mm		


KR-SHP494KR		Axial Ball End	
	OEM: 0501210063, 0501205257		
	A: M24 x 1.5		
	B: M28 x 1.5		
	C: 235mm		


KR-SHP505KR		Drag Link	
	OEM:		
	A: M24 x 1.5		
	B: M20 x 1.5		
	C: 23.5 - 26.5mm		


KR-SHP509KR		Tie Rod End	
	OEM:		
	A: M22 x 1.5		
	B: M20 x 1.5		
	C: 23.5 - 26.5mm		


KR-SHP518KR		Tie Rod End with Bar	
	OEM:		
	A: M24 x 1.5		
	B: M20 x 1.5		
	C: 23.5 - 26.5mm		


KR-SHP519KR		Tie Rod End with Bar	
	OEM:		
	A: M24 x 1.5		
	B: M22 x 1.5		
	C: 24.6 - 28.5mm		


KR-SHP520KR		Tie Rod End with Bar	
	OEM:		
	A: M24 x 1.5		
	B: M22 x 1.5		
	C: 24.6 - 28.5mm		

KR-SHP524KR Tie Rod End with Bar	
	OEM:
	A: M24 x 1.5
	B: M20 x 1.5
	C: 23.5 - 26.5mm


KR-SHP526KR Tie Rod End with Bar	
	OEM:
	A: M22 x 1.5
	B: M18 x 1.5
	C: 19.9 - 22.3mm


KR-SHP527KR Tie Rod End with Bar	
	OEM:
	A: M22 x 1.5
	B: M18 x 1.5
	C: 19.9 - 22.3mm

KR-SHP528KR Tie Rod End	
	OEM:
	A: M24 x 1.5
	B:
	C: 23.5 - 26.5mm

KR-SHP529KR Tie Rod End with Bar	
	OEM:
	A: M18 x 1.5
	B: M20 x 1.5
	C: 23.5 - 26.5mm

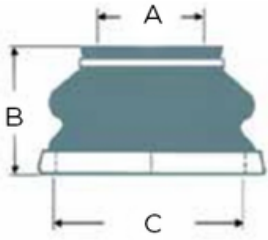
KR-SHP800KR Axial Ball End	
	OEM:
	A: M20 x 1.5
	B: M22 x 1.5
	C: 213mm

KR-SHP802KR Ball End	
	OEM:
	A:
	B:
	C:

KR-SHP803KR Tie Rod End with Bar	
	OEM:
	A: M24 x 1.5
	B: M22 x 1.5
	C: 24.7 - 28.4mm

KR-SHP808KR Axial Ball End	
	OEM:
	A: M24 x 1.5
	B: M28 x 1.5
	C: 224mm

Rubber Boots



KR-890124M2GP Ball End Cap	
	OEM: 890124M2
	A: 17mm
	B: 26mm
	C: 40mm
MF 65, 133, 135, 148, 165, 175, 178, 185, 188, TEA20, TED20, TEF20	

KR-SHP930KR Rubber Boot for Ball Ends	
	OEM:
	A: 12mm
	B: 45mm
	C: 37mm

KR-SHP931KR Rubber Boots for Ball Ends	
	OEM:
	A: 16mm
	B: 32mm
	C: 42mm

KR-SHP932KR Rubber Boot for Ball Ends	
	OEM:
	A: 22mm
	B: 26mm
	C: 41mm

KR-SHP933KR Rubber Boots for Ball Ends	
	OEM:
	A: 29mm
	B: 36mm
	C: 53mm

KR-SHP911KR Ball End Cap	
	OEM:
	A: 10mm
	B: 28mm
	C: 41mm

KR-SHP912KR Ball End Cap	
	OEM:
	A: 12mm
	B: 15mm
	C: 30mm

KR-SHP913KR Ball End Cap	
	OEM:
	A: 13mm
	B: 28mm
	C: 29mm

KR-SHP914KR Ball End Cap	
	OEM:
	A: 13mm
	B: 28mm
	C: 38mm

KR-SHP915KR Ball End Cap	
	OEM:
	A: 16mm
	B: 30mm
	C: 40mm

KR-SHP916KR Ball End Cap	
	OEM:
	A: 22mm
	B: 30mm
	C: 47mm

KR-SHP917KR Ball End Cap	
	OEM:
	A: 22mm
	B: 30mm
	C: 65mm

KR-SHP918KR Ball End Cap	
	OEM:
	A: 28mm
	B: 28mm
	C: 60mm


KR-SHP934KR Ball End Cap	
	OEM:
	A: 19mm
	B: 22mm
	C: 50mm

KR-VPJ3996 Rubber Boot	
	OEM: 3477526M91, 1885522M91, 883475M2
	A:
	B:
	C:
	Landini 9550, MF 165, 168, 175, 178, 185, 188, 265, 275, 285, 290, 565, 575, 590, 675, 690, 698, 698T, 699

Accessories



KR-SHP901KR	Tie Rod Clamp
	Inside Diameter: 22mm
	Height: 20mm
	A:
	B:
	C:

KR-SHP902KR	Tie Rod Clamp
	Inside Diameter: 26mm
	Height: 24mm
	A:
	B:
	C:

KR-SHP903KR	Tie Rod Clamp
	Inside Diameter: 28mm
	Height: 25mm
	A:
	B:
	C:

KR-SHP904KR	Tie Rod Clamp
	Inside Diameter: 30mm
	Height: 26mm
	A:
	B:
	C:

KR-SHP905KR	Tie Rod Clamp
	Inside Diameter: 32mm
	Height: 26mm
	A:
	B:
	C:

KR-SHP906KR	Tie Rod Clamp
	Inside Diameter: 36mm
	Height: 28mm
	A:
	B:
	C:

KR-SHP907KR	Axial Link Seal
	OEM:
	A: 12mm
	B: 45mm
	C: 14mm

KR-SHP908KR	Axial Link Seal
	OEM:
	A: 17mm
	B: 40mm
	C: 10mm

KR-SHP909KR

Axial Link Seal



OEM:

A: 22mm

B: 54mm

C: 12mm

KR-SHP910KR

Axial Link Seal



OEM:

A: 25mm

B: 54mm

C: 14mm

KR-VPJ4244

Power Steering Arm



OEM:

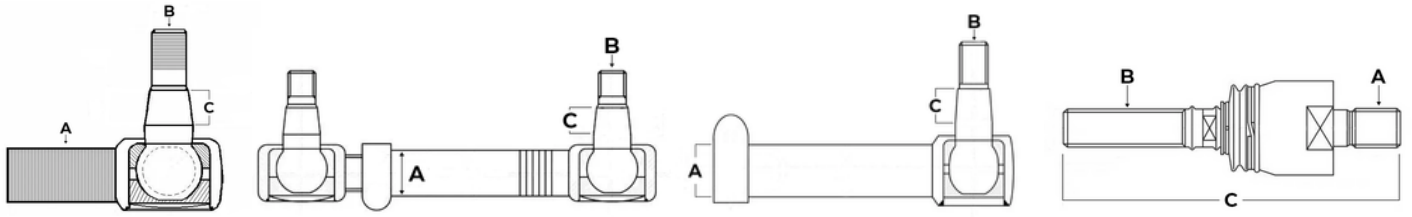
A:

B:

C:

Ford 3055, 4000, 5000

Seal Kits



KR-83949861N

Seal Kit Steering Cylinder



OEM:

A:

B:

C:

Case-IH MXU100, MXU110, MXU115,
Ford 5110, 5640, 6410, 6610, 6640, 6810,
7610, 7740, 7810, 7840

KR-VPJ4089

Seal Kit



OEM:

A:

B:

C:

Case-IH 395, 495, 595, 695, 795, 895,
995, 3210, 3220, 3230, 4210, 4220, 4230,
4240, C80, C90, C100,
Ford 5110, 5610, 5900, 6410, 6610, 6810,
7610, 7710, 7810, 7910



WE KEEP FARMERS FARMING